

# Customer Information Sheet

DRAWING No.: G125-MHXXX05L2P

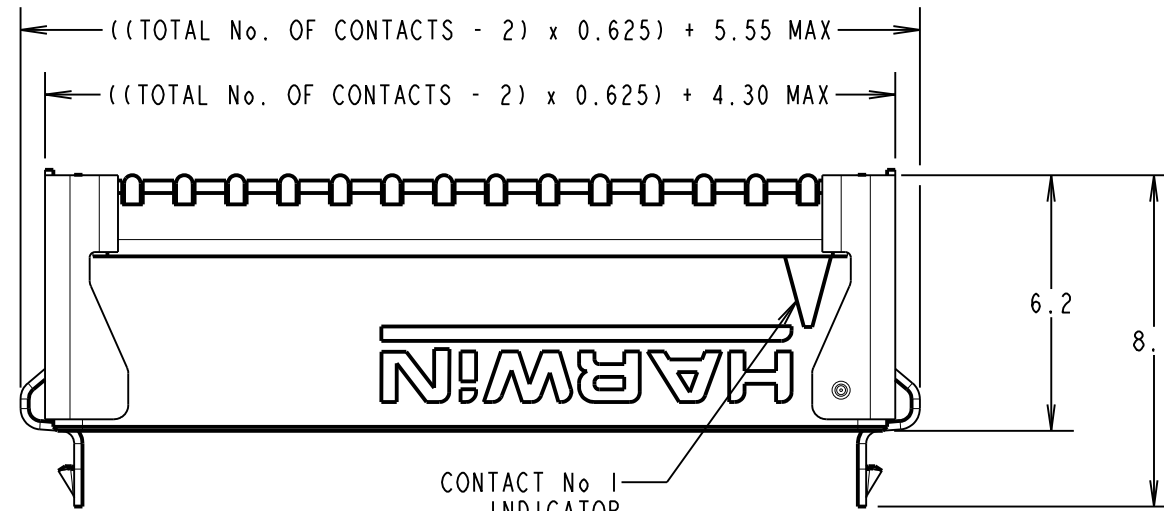
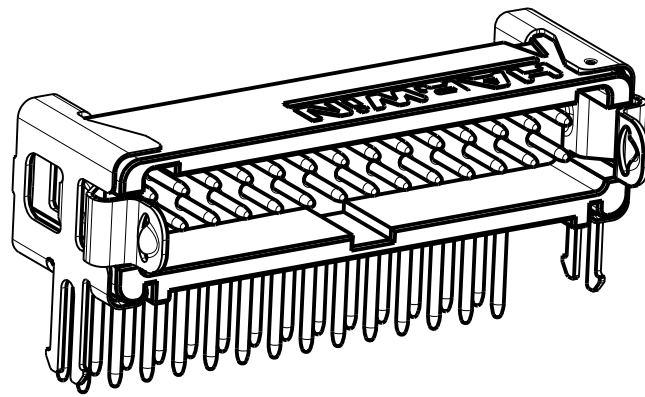
IF IN DOUBT - ASK

©

NOT TO SCALE

THIRD ANGLE PROJECTION

ALL DIMENSIONS IN mm



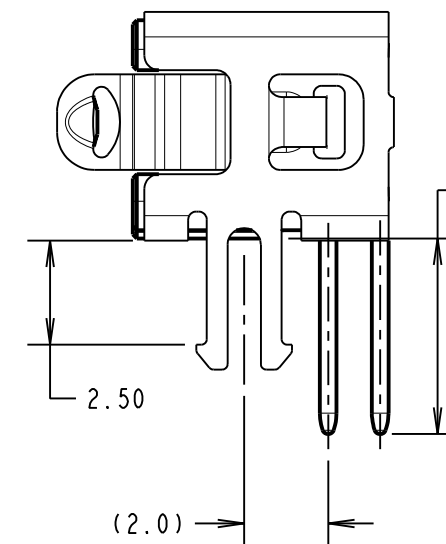
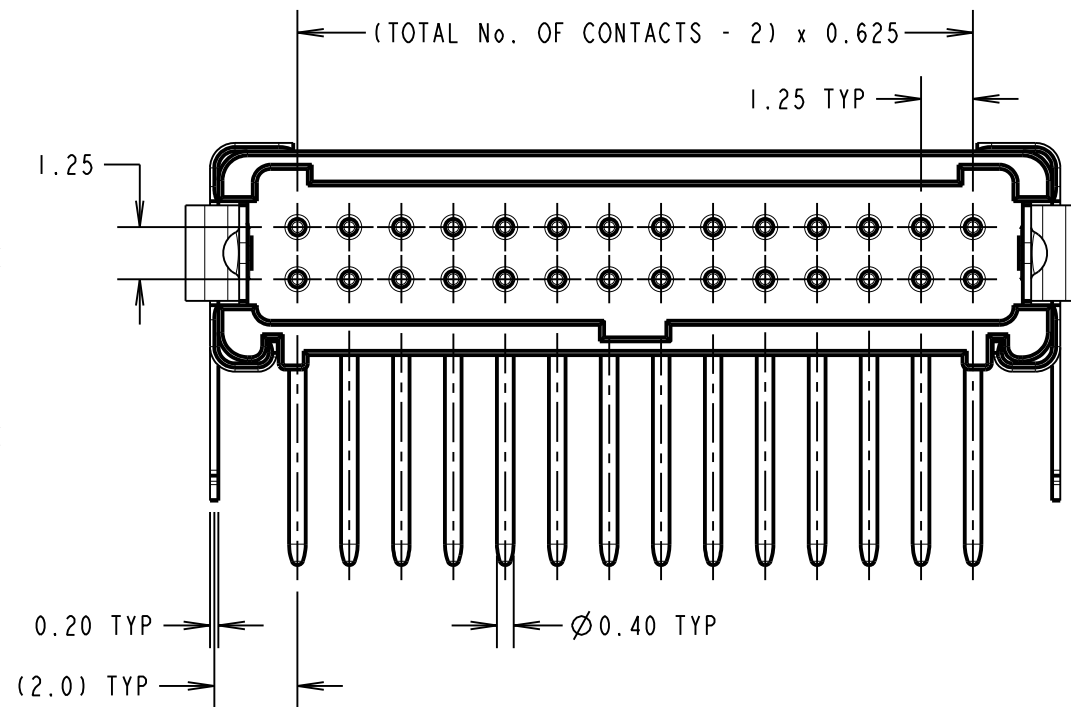
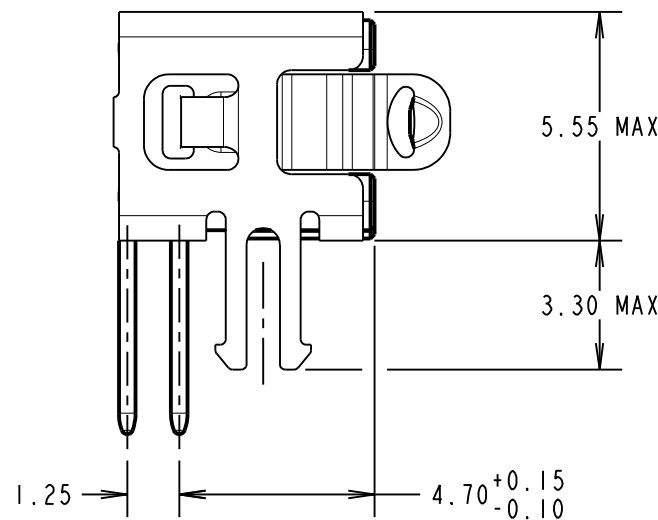
ORDER CODE: **G125-MHXXX05L2P**

CONTACT STYLE: \_\_\_\_\_  
 3.2mm PC-TAIL = H1  
 4.7mm PC-TAIL = H2

TOTAL No. OF CONTACTS: \_\_\_\_\_  
 06, 10, 12, 16, 20, 26, 34, 50

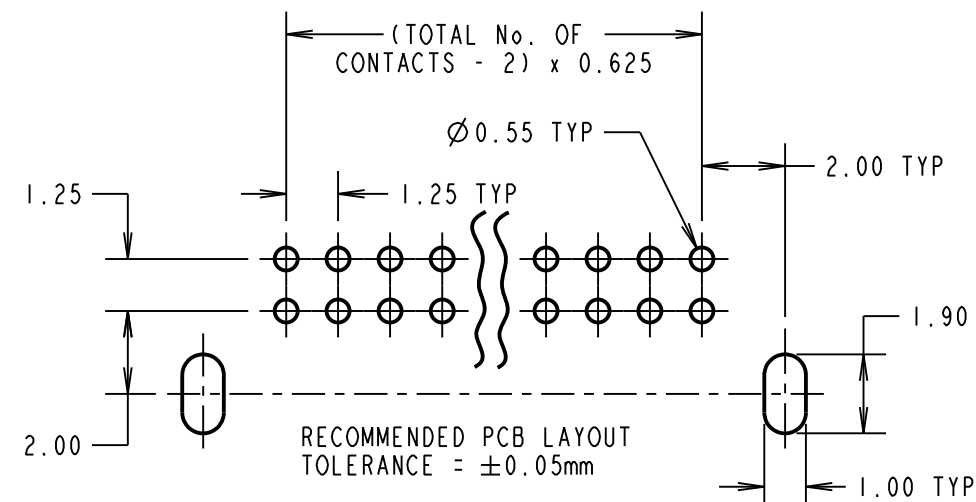
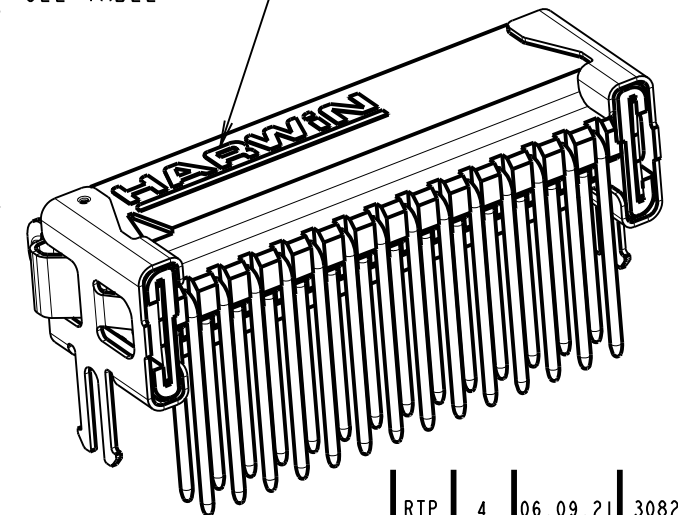
LATCHES: \_\_\_\_\_  
 2.5mm BOARD MOUNT & LATCHES = L2

CONTACT STYLE	DIM 'Z'
H1	3.2±0.15
H2	4.7±0.15



DIM 'Z' SEE TABLE

FULL LOGO ONLY ON 20 TO 50 WAY.  
 'H' ON 6 & 10 WAY.  
 'HWN' ON 12 & 16 WAY.



CONNECTOR DETAILS AND PCB LAYOUT ONLY.  
 SEE SHEET 6 FOR TAPE STRIP DETAILS.

NOTES:  
 1. FOR COMPLETE SPECIFICATION, SEE COMPONENT SPECIFICATION G125XX (LATEST ISSUE).  
 SEE G125-SERIES CONNECTORS SPECIFICATION SHEET FOR MATERIALS, FINISH AND SPECIFICATION SUMMARY.

RTP	4	06.09.21	30825
NAME	ISS.	DATE	CN/CO
APPROVED:		R.PORTLOCK	
CHECKED:		R.ALEXANDER	
DRAWN:		MARK G PLESTED	
CUSTOMER REF.:			
ASSEMBLY DRG:			

**HARWIN**

www.harwin.com  
 technical@harwin.com

THIS DRAWING AND ANY INFORMATION OR DESCRIPTIVE MATTER SET OUT HEREON ARE CONFIDENTIAL AND COPYRIGHT PROPERTY OF THE HARWIN GROUP AND MUST NOT BE DISCLOSED, LOANED, COPIED OR USED FOR MANUFACTURING, TENDERING OR FOR ANY OTHER PURPOSE WITHOUT THEIR WRITTEN PERMISSION.

TOLERANCES  
 X. = ±1mm  
 X.X = ±0.50mm  
 X.XX = ±0.20mm  
 X.XXX = ±0.01mm  
 ANGLES = ±5°  
 UNLESS STATED

MATERIAL:  
 SEE NOTE 1  
 FINISH: SEE NOTE 1  
 S/AREA: mm<sup>2</sup>

TITLE:  
 G125 MALE HORIZONTAL PC TAIL SERIES IN TAPE  
 DRAWING NUMBER:  
**G125-MHXXX05L2P**  
 SHT 5 OF 6

# Customer Information Sheet

DRAWING No.: G125-MHXXX05L2P

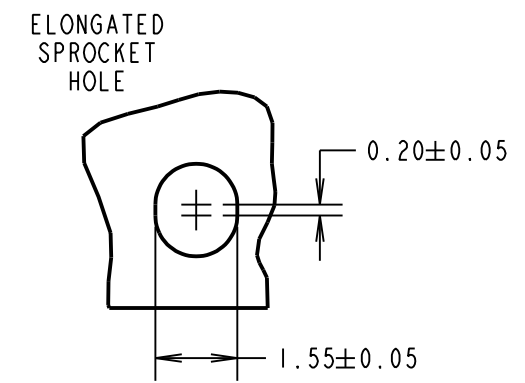
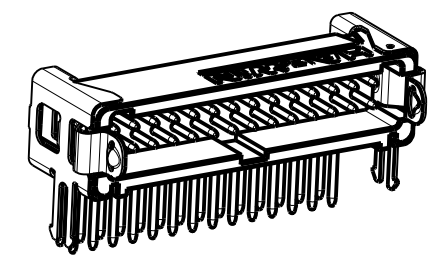
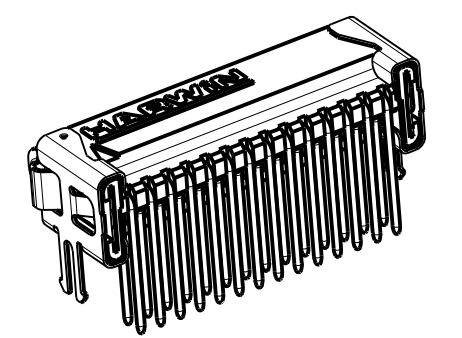
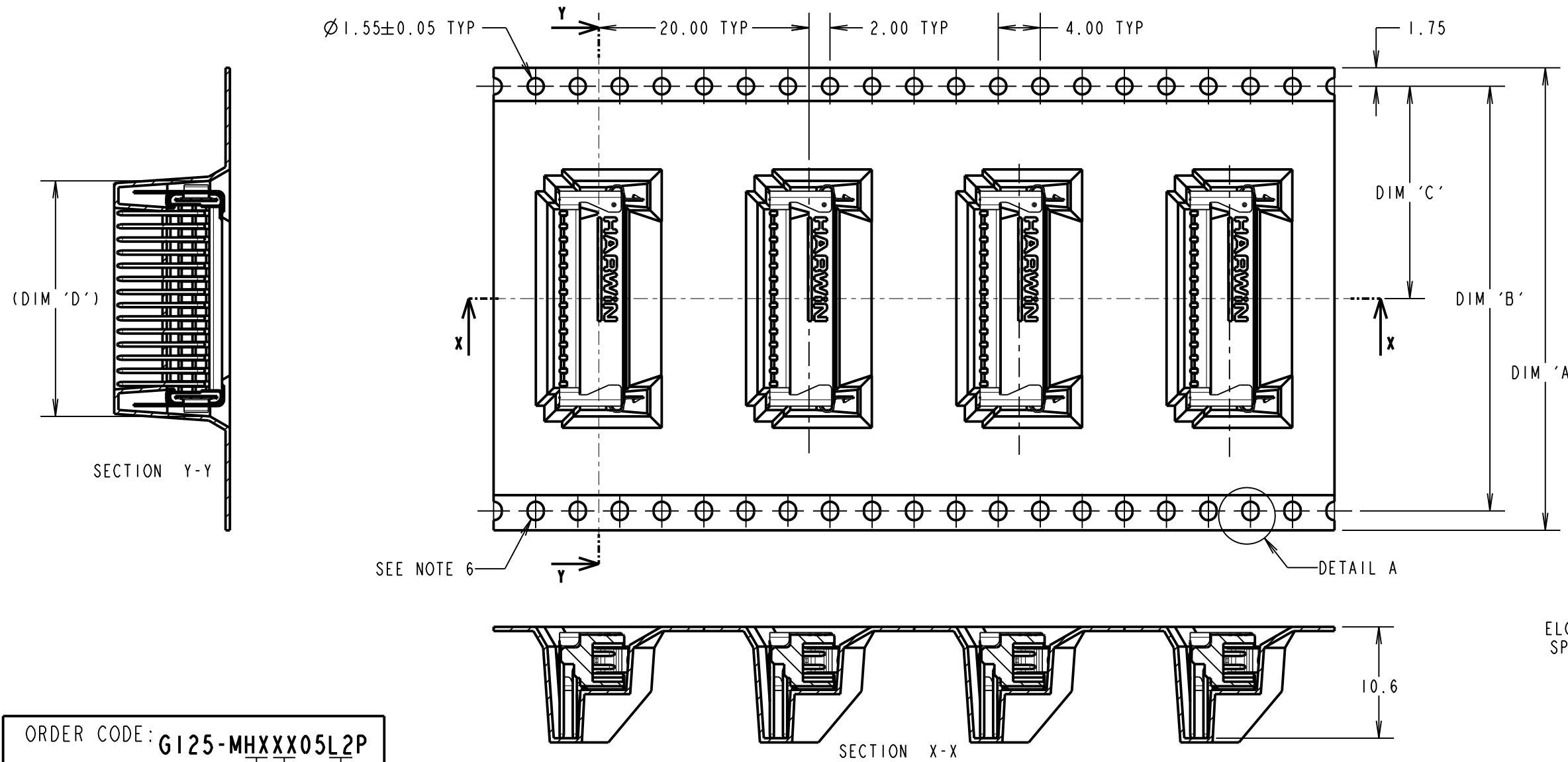
IF IN DOUBT - ASK

©

NOT TO SCALE

THIRD ANGLE PROJECTION

ALL DIMENSIONS IN mm



ORDER CODE: **G125-MHXXX05L2P**

CONTACT STYLE: \_\_\_\_\_  
 3.2mm PC-TAIL = H1  
 4.7mm PC-TAIL = H2

TOTAL No. OF CONTACTS: \_\_\_\_\_  
 06, 10, 12, 16, 20, 26, 34, 50

LATCHES: \_\_\_\_\_  
 2.5mm BOARD MOUNT & LATCHES = L2

PART No.	DIM 'A'	DIM 'B'	DIM 'C'	DIM 'D'
G125-MHX0605L2P	24.0	NO ELONGATED HOLE	11.50	8.5
G125-MHX1005L2P	+0.3/-0.1			11.0
G125-MHX1205L2P	32.0±0.3	28.40	14.20	12.2
G125-MHX1605L2P				14.7
G125-MHX2005L2P	44.0±0.3	40.40	20.2±0.15	17.2
G125-MHX2605L2P				21.0
G125-MHX3405L2P				26.0
G125-MHX5005L2P	56.0±0.3	52.40	26.2±0.15	36.0

- NOTES:
- COMPONENTS ARE ORIENTED IN TAPE POCKETS AS SHOWN.
  - COMPONENTS ARE SUPPLIED IN STRIPS OF 10 UNLESS OTHERWISE SPECIFIED.
  - LARGE QUANTITIES MAY BE SHIPPED ON A REEL AND MAY NOT HAVE A LEADER.
  - FOR COMPLETE SPECIFICATION, SEE COMPONENT SPECIFICATION C125XX (LATEST ISSUE).
  - FOR PARTS ON REEL SUITABLE FOR AUTOMATIC MACHINE PLACEMENT PLEASE ORDER: G125-MHXXX05L2R.
  - ELONGATED SPROCKET HOLE NOT PRESENT ON 06 & 10 POSITIONS.
  - SEE SHEET 5 FOR CONNECTOR DETAILS.

RTP	4	06.09.21	30825
NAME	ISS.	DATE	CN/CO
APPROVED: R.PORTLOCK			
CHECKED: R.ALEXANDER			
DRAWN: MARK G PLESTED			
CUSTOMER REF.:			
ASSEMBLY DRG:			

**HARWIN**

www.harwin.com  
 technical@harwin.com

THIS DRAWING AND ANY INFORMATION OR DESCRIPTIVE MATTER SET OUT HEREON ARE CONFIDENTIAL AND COPYRIGHT PROPERTY OF THE HARWIN GROUP AND MUST NOT BE DISCLOSED, LOANED, COPIED OR USED FOR MANUFACTURING, TENDERING OR FOR ANY OTHER PURPOSE WITHOUT THEIR WRITTEN PERMISSION.

TOLERANCES  
 X. = ±1mm  
 X.X = ±0.50mm  
 X.XX = ±0.20mm  
 X.XXX = ±0.01mm  
 ANGLES = ±5°  
 UNLESS STATED

MATERIAL: SEE SHEET 5

FINISH: SEE SHEET 5

S/AREA: mm<sup>2</sup>

TITLE: G125 MALE HORIZONTAL PC TAIL SERIES IN TAPE

DRAWING NUMBER: **G125-MHXXX05L2P**

SHT 6 OF 6

## X-ON Electronics

Largest Supplier of Electrical and Electronic Components

*Click to view similar products for [Headers & Wire Housings](#) category:*

*Click to view products by [Harwin](#) manufacturer:*

Other Similar products are found below :

[892-18-020-10-001101](#) [58102-G61-06LF](#) [582553-1](#) [0009485154](#) [009176003701906](#) [0050291907](#) [LY20-4P-DT1-P1E-BR](#) [02.125.8002.8](#)  
[609-3404](#) [61062-3](#) [622-0430](#) [622-3653LF](#) [63453-116](#) [636-1030](#) [636-1427](#) [636-3427](#) [636-4007](#) [641938-9](#) [641991-4](#) [644827-2](#) [65817-010LF](#)  
[65817-015LF](#) [65863-015LF](#) [66207-023LF](#) [67095-007LF](#) [67601157](#) [68648-049](#) [70.362.1628.0](#) [70-4210](#) [70-4226B](#) [70-4853B](#) [707-5020](#) [707-5028](#) [71.350.2428.0](#) [71918-208LF](#) [71961-016LF](#) [733-134](#) [733-162](#) [754199-000](#) [760-3052](#) [787-8014-00](#) [79531-3000](#) [FCN-360C032-B](#) [FCN-367T-T012/H](#) [FCN-723D010/2](#) [80.063.4001.1](#) [800-90-001-10-001000](#) [800-90-010-10-002000](#) [801-43-002-10-013000](#) [801-43-006-10-002000](#)