

Customer Information Sheet

DRAWING No.: H2170-XX - H2174-XX

SHEET 2 OF 2

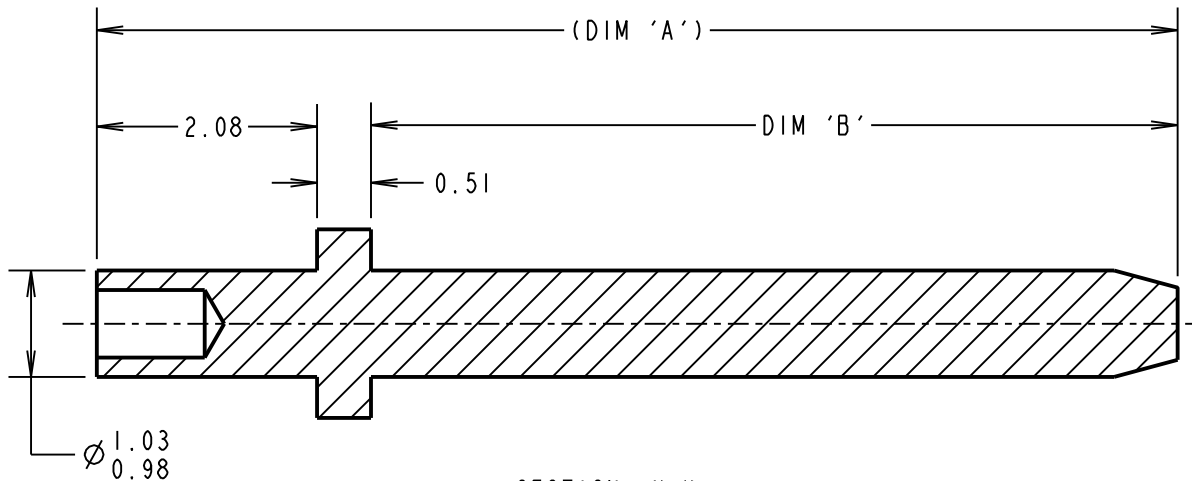
IF IN DOUBT - ASK

(C)

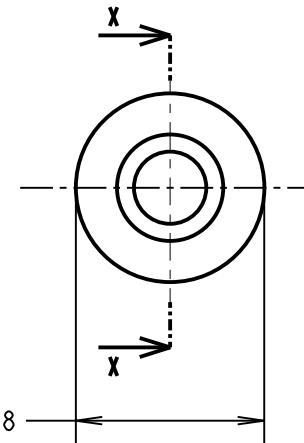
NOT TO SCALE

THIRD ANGLE PROJECTION

ALL DIMENSIONS IN mm



SECTION X-X



ORDER CODE:

H217X-XX

PART No: _____
SEE TABLE

FINISH: _____

01 = 7.6µm 100% TIN
OVER NICKEL
05 = 0.1µm GOLD

OBSOLETE from 26-07-2018
H2172-01
H2172-05

PART No.	(DIM 'A')	DIM 'B'	PUNCH & DIE TOOL No.
H2170-XX	(15.29)	12.70	Z2170-00
H2171-XX	(21.64)	19.05	Z2171-00
H2172-XX	(27.99)	25.40	Z2172-00
H2173-XX	(10.21)	7.62	Z2173-00
H2174-XX	(6.40)	3.81	Z2174-00

OBSOLETE

NOTES:

1. RECOMMENDED MOUNTING HOLE SIZE = \varnothing 1.04-1.14mm.
2. RECOMMENDED PANEL THICKNESS = 1.6mm.
3. ALL TOLERANCES ARE \pm 0.13 UNLESS OTHERWISE STATED.

MGP	7	02.02.18	21072
NAME	ISS.	DATE	C/NOTE
APPROVED: MGP			
CHECKED: SB			
DRAWN: J. PHILIPSON			
CUSTOMER REF.:			
ASSEMBLY DRG:			

HARWIN

www.harwin.com
technical@harwin.com

THIS DRAWING AND ANY INFORMATION OR DESCRIPTIVE MATTER SET OUT HEREON ARE CONFIDENTIAL AND COPYRIGHT PROPERTY OF THE HARWIN GROUP AND MUST NOT BE DISCLOSED, LOANED, COPIED OR USED FOR MANUFACTURING, TENDERING OR FOR ANY OTHER PURPOSE WITHOUT THEIR WRITTEN PERMISSION.

~~TOLERANCES~~
~~X = \pm 1mm~~
~~X.X = \pm 0.50mm~~
~~X.XX = \pm 0.10mm~~
~~X.XXX = \pm 0.01mm~~
~~ANGLES = \pm 5°~~
 UNLESS STATED

MATERIAL:
BRASS CW614N TO
BS EN 12164 (CuZn39Pb3)
[SEE TABLE]
FINISH: SEE ABOVE
S/AREA: mm²

TITLE:
TERMINAL PIN

DRAWING NUMBER:
H2170-XX - H2174-XX

SHT
2 OF 2

X-ON Electronics

Largest Supplier of Electrical and Electronic Components

Click to view similar products for [Circuit Board Hardware - PCB category](#):

Click to view products by [Harwin manufacturer](#):

Other Similar products are found below :

[8919-0-00-15-00-00-03-0](#) [0135-0-15-01-30-27-04-0](#) [5970-1-15-01-32-14-04-0](#) [0149-0-15-15-30-27-04-0](#) [MBI 1 BLUE](#) [7305-0-15-15-47-14-10-0](#) [MLN 150/1 BLACK](#) [8579-0-15-80-11-27-10-0](#) [8579-1-15-15-11-27-10-0](#) [8830-0-15-01-22-14-10-0](#) [8836-0-00-21-00-00-03-0](#) [PRUEF 2 RED](#) [9976-0-00-00-00-00-03-0](#) [PW1616](#) [1215-3-05-00-00-00-01-0](#) [1231](#) [1303-0-15-15-47-14-04-0](#) [1404-3](#) [1404-4](#) [1406-4](#) [1407-3](#) [1406-3](#) [1407-4](#) [1408-3](#) [1424-4](#) [1427-3](#) [1419-4](#) [1426-4](#) [1548-103](#) [1938-0-00-00-00-00-03-0](#) [1942-0-00-00-00-00-03-0](#) [2101-3-00-44-00-00-07-0](#) [2108-2-00-50-00-00-07-0](#) [2109-2-00-44-00-00-07-0](#) [2110-2-00-44-00-00-07-0](#) [2111-2-00-00-00-00-07-0](#) [2113-4-00-44-00-00-07-0](#) [2301-3-00-44-00-00-07-0](#) [2308-1-00-50-00-00-07-0](#) [2313-2-00-00-00-00-07-0](#) [2315-2-01-44-00-00-07-0](#) [2333-1-00-50-00-00-07-0](#) [9000-0-00-00-00-00-03-0](#) [2506-2-00-50-00-00-07-0](#) [2507-2-01-44-00-00-07-0](#) [2508-2-00-44-00-00-07-0](#) [2561-2-00-44-00-00-07-0](#) [9220](#) [9234-0-15-15-30-14-10-0](#) [LAS S G BLACK](#)