

Customer Information Sheet

DRAWING No.: H3191-XX

SHEET 2 OF 2

IF IN DOUBT - ASK

(C)

NOT TO SCALE

THIRD ANGLE PROJECTION

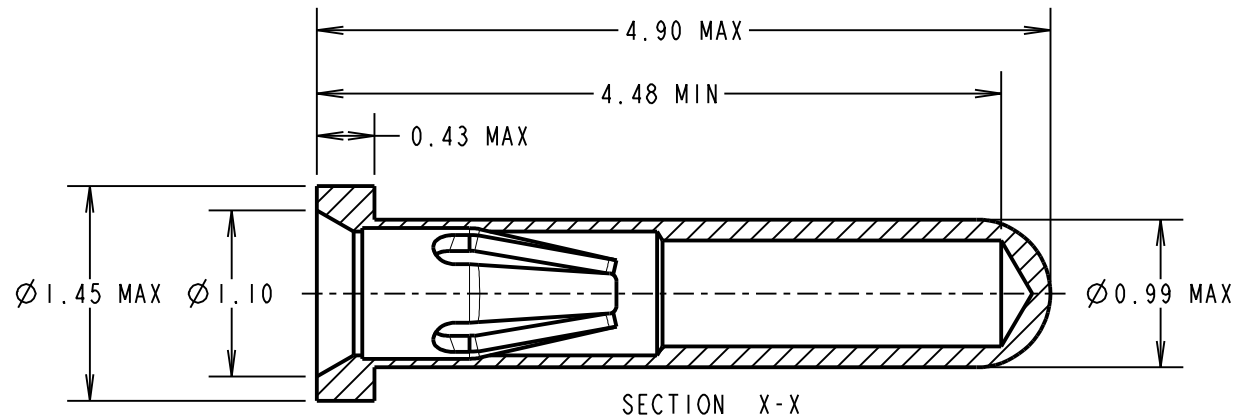
ALL DIMENSIONS IN mm

ORDER CODE:

H3191-XX

FINISH:

- 01 = GOLD CLIP, TIN SHELL
- 05 = GOLD CLIP, GOLD SHELL
- 46 = 100% TIN CLIP, TIN SHELL



SPECIFICATION:

MATERIAL:

CONTACT SHELL = BRASS
CONTACT CLIP = BERYLLIUM COPPER

FINISH:

- 01 = 0.1µ GOLD CLIP, 4µ TIN SHELL
- 05 = 0.1µ GOLD CLIP, 0.13µ GOLD SHELL
- 46 = 2.4µ 100% TIN CLIP, 4µ TIN SHELL

ELECTRICAL:

CURRENT RATING AT 25°C = 2A MAX
CURRENT RATING 85°C = 1.75A MAX
CONTACT RESISTANCE (INITIAL) = 15mΩ MAX
CONTACT RESISTANCE (AFTER CONDITIONING) = 25mΩ MAX

MECHANICAL:

INSERTION FORCE (∅0.5mm GAUGE) = 6N MAX, 2N MIN
WITHDRAWAL FORCE (∅0.5mm GAUGE) = 1.5N MAX, 0.5N MIN
DURABILITY - 01, 05 FINISH = 500 OPERATIONS
46 FINISH = 50 OPERATIONS

ENVIRONMENTAL:

OPERATING TEMPERATURE = -55°C TO + 125°C
FOR COMPLETE SPECIFICATION, SEE COMPONENT SPECIFICATION C006XX (LATEST ISSUE)

NOTES:

1. RECOMMENDED PIN LENGTH = 4.48mm MAX
2. RECOMMENDED MOUNTING HOLE = ∅1.00-1.10mm.
3. RECOMMENDED PIN SIZE = ∅0.46-0.51mm.
4. CONTACT DEPTH = 2.30mm MAX

MSP	7	04.11.14	12661
NAME	ISS.	DATE	C/NOTE
APPROVED:		M.PERREN	
CHECKED:		M.PLESTED	
DRAWN:		J.CLAY	
CUSTOMER REF.:			
ASSEMBLY DRG:			

HARWIN

www.harwin.com
technical@harwin.com

THIS DRAWING AND ANY INFORMATION OR DESCRIPTIVE MATTER SET OUT HEREON ARE CONFIDENTIAL AND COPYRIGHT PROPERTY OF THE HARWIN GROUP AND MUST NOT BE DISCLOSED, LOANED, COPIED OR USED FOR MANUFACTURING, TENDERING OR FOR ANY OTHER PURPOSE WITHOUT THEIR WRITTEN PERMISSION.

TOLERANCES

X. = ±1mm
X.X = ±0.25mm
X.XX = ±0.10mm
X.XXX = ±0.01mm
ANGLES = ±5°
UNLESS STATED

MATERIAL:

SEE ABOVE

FINISH: SEE ABOVE

S/AREA: mm²

TITLE:

SUB-MINIATURE
SOCKET ASSEMBLY

DRAWING NUMBER:

H3191-XX

SHT
2 OF 2

X-ON Electronics

Largest Supplier of Electrical and Electronic Components

Click to view similar products for [Circuit Board Hardware - PCB category](#):

Click to view products by [Harwin manufacturer](#):

Other Similar products are found below :

[8919-0-00-15-00-00-03-0](#) [0135-0-15-01-30-27-04-0](#) [5970-1-15-01-32-14-04-0](#) [0149-0-15-15-30-27-04-0](#) [MBI 1 BLUE](#) [7305-0-15-15-47-14-10-0](#) [MLN 150/1 BLACK](#) [8579-0-15-80-11-27-10-0](#) [8579-1-15-15-11-27-10-0](#) [8830-0-15-01-22-14-10-0](#) [8836-0-00-21-00-00-03-0](#) [PRUEF 2 RED](#) [9976-0-00-00-00-00-03-0](#) [PW1616](#) [1215-3-05-00-00-00-01-0](#) [1231](#) [1303-0-15-15-47-14-04-0](#) [1404-3](#) [1404-4](#) [1406-4](#) [1407-3](#) [1406-3](#) [1407-4](#) [1408-3](#) [1424-4](#) [1427-3](#) [1419-4](#) [1426-4](#) [1548-103](#) [1938-0-00-00-00-00-03-0](#) [1942-0-00-00-00-00-03-0](#) [2101-3-00-44-00-00-07-0](#) [2108-2-00-50-00-00-07-0](#) [2109-2-00-44-00-00-07-0](#) [2110-2-00-44-00-00-07-0](#) [2111-2-00-00-00-00-07-0](#) [2113-4-00-44-00-00-07-0](#) [2301-3-00-44-00-00-07-0](#) [2308-1-00-50-00-00-07-0](#) [2313-2-00-00-00-00-07-0](#) [2315-2-01-44-00-00-07-0](#) [2333-1-00-50-00-00-07-0](#) [9000-0-00-00-00-00-03-0](#) [2506-2-00-50-00-00-07-0](#) [2507-2-01-44-00-00-07-0](#) [2508-2-00-44-00-00-07-0](#) [2561-2-00-44-00-00-07-0](#) [9220](#) [9234-0-15-15-30-14-10-0](#) [LAS S G BLACK](#)