

# Customer Information Sheet

DRAWING No.: H3192-XX

SHEET 2 OF 2

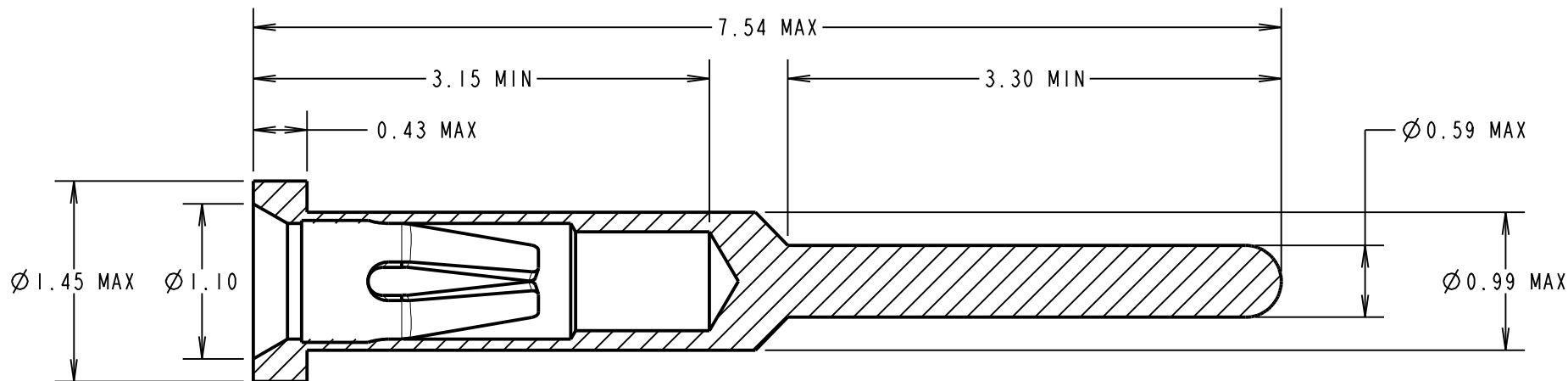
IF IN DOUBT - ASK

(C)

NOT TO SCALE

THIRD ANGLE PROJECTION

ALL DIMENSIONS IN mm



SECTION X-X

**SPECIFICATION:**

**MATERIAL:**

CONTACT SHELL = BRASS  
CONTACT CLIP = BERYLLIUM COPPER

**FINISH (NICKEL ALL OVER):**

01 = 4µ TIN SHELL, 0.15µ GOLD CLIP  
05 = 0.1µ GOLD SHELL, 0.15µ GOLD CLIP  
46 = 4µ 100% TIN SHELL, 2.4µ 100% TIN CLIP

**ELECTRICAL:**

CURRENT RATING AT 25°C = 2A MAX  
CURRENT RATING AT 85°C = 1.75A MAX  
CONTACT RESISTANCE = 25mΩ MAX

**MECHANICAL:**

INSERTION FORCE (Ø0.5mm GAUGE) = 6N MAX, 2N MIN  
WITHDRAWAL FORCE (Ø0.5mm GAUGE) = 1.5N MAX, 0.5N MIN

**DURABILITY:**

01, 05 FINISH = 500 OPERATIONS  
46 FINISH = 50 OPERATIONS

**ENVIRONMENTAL:**

OPERATING TEMPERATURE = -55°C TO +125°C  
FOR COMPLETE SPECIFICATION, SEE COMPONENT SPECIFICATION C006XX (LATEST ISSUE)

**ORDER CODE:**

**H3192-XX**

**FINISH:**

01 - GOLD CLIP, TIN SHELL  
05 - GOLD CLIP, GOLD SHELL  
46 - 100% TIN CLIP, 100% TIN SHELL

MSP	4	04.11.14	12661
NAME	ISS.	DATE	C/NOTE
APPROVED:		M. PERREN	
CHECKED:		M. PLESTED	
DRAWN:		M. PERREN	
CUSTOMER REF.:			
ASSEMBLY DRG:			

**NOTES:**

1. RECOMMENDED PIN LENGTH = 3.15mm MAX.
2. RECOMMENDED MOUNTING HOLE SIZE = Ø1.00-1.10mm.
3. RECOMMENDED PIN SIZE = Ø0.46-0.51mm.
4. CONTACT DEPTH = 2.30mm MAX

**HARWIN**

www.harwin.com  
technical@harwin.com

THIS DRAWING AND ANY INFORMATION OR DESCRIPTIVE MATTER SET OUT HEREON ARE CONFIDENTIAL AND COPYRIGHT PROPERTY OF THE HARWIN GROUP AND MUST NOT BE DISCLOSED, LOANED, COPIED OR USED FOR MANUFACTURING, TENDERING OR FOR ANY OTHER PURPOSE WITHOUT THEIR WRITTEN PERMISSION.

**TOLERANCES**

X. = ±1mm  
X.X = ±0.25mm  
X.XX = ±0.10mm  
X.XXX = ±0.01mm

ANGLES = ±5°  
UNLESS STATED

**MATERIAL:**

SEE ABOVE

FINISH: SEE ABOVE

S/AREA: mm<sup>2</sup>

**TITLE:**

SUB-MINIATURE  
SOCKET ASSEMBLY

DRAWING NUMBER:

**H3192-XX**

SHT  
2  
OF  
2

## X-ON Electronics

Largest Supplier of Electrical and Electronic Components

*Click to view similar products for [Circuit Board Hardware - PCB category](#):*

*Click to view products by [Harwin manufacturer](#):*

Other Similar products are found below :

[8919-0-00-15-00-00-03-0](#) [0135-0-15-01-30-27-04-0](#) [5970-1-15-01-32-14-04-0](#) [0149-0-15-15-30-27-04-0](#) [MBI 1 BLUE](#) [7305-0-15-15-47-14-10-0](#) [MLN 150/1 BLACK](#) [8579-0-15-80-11-27-10-0](#) [8579-1-15-15-11-27-10-0](#) [8830-0-15-01-22-14-10-0](#) [8836-0-00-21-00-00-03-0](#) [PRUEF 2 RED](#) [9976-0-00-00-00-00-03-0](#) [PW1616](#) [1215-3-05-00-00-00-01-0](#) [1231](#) [1303-0-15-15-47-14-04-0](#) [1404-3](#) [1404-4](#) [1406-4](#) [1407-3](#) [1406-3](#) [1407-4](#) [1408-3](#) [1424-4](#) [1427-3](#) [1419-4](#) [1426-4](#) [1548-103](#) [1938-0-00-00-00-00-03-0](#) [1942-0-00-00-00-00-03-0](#) [2101-3-00-44-00-00-07-0](#) [2108-2-00-50-00-00-07-0](#) [2109-2-00-44-00-00-07-0](#) [2110-2-00-44-00-00-07-0](#) [2111-2-00-00-00-00-07-0](#) [2113-4-00-44-00-00-07-0](#) [2301-3-00-44-00-00-07-0](#) [2308-1-00-50-00-00-07-0](#) [2313-2-00-00-00-00-07-0](#) [2315-2-01-44-00-00-07-0](#) [2333-1-00-50-00-00-07-0](#) [9000-0-00-00-00-00-03-0](#) [2506-2-00-50-00-00-07-0](#) [2507-2-01-44-00-00-07-0](#) [2508-2-00-44-00-00-07-0](#) [2561-2-00-44-00-00-07-0](#) [9220](#) [9234-0-15-15-30-14-10-0](#) [LAS S G BLACK](#)