

# Customer Information Sheet

DRAWING No.: K3602-XX

SHEET 2 OF 2

IF IN DOUBT - ASK

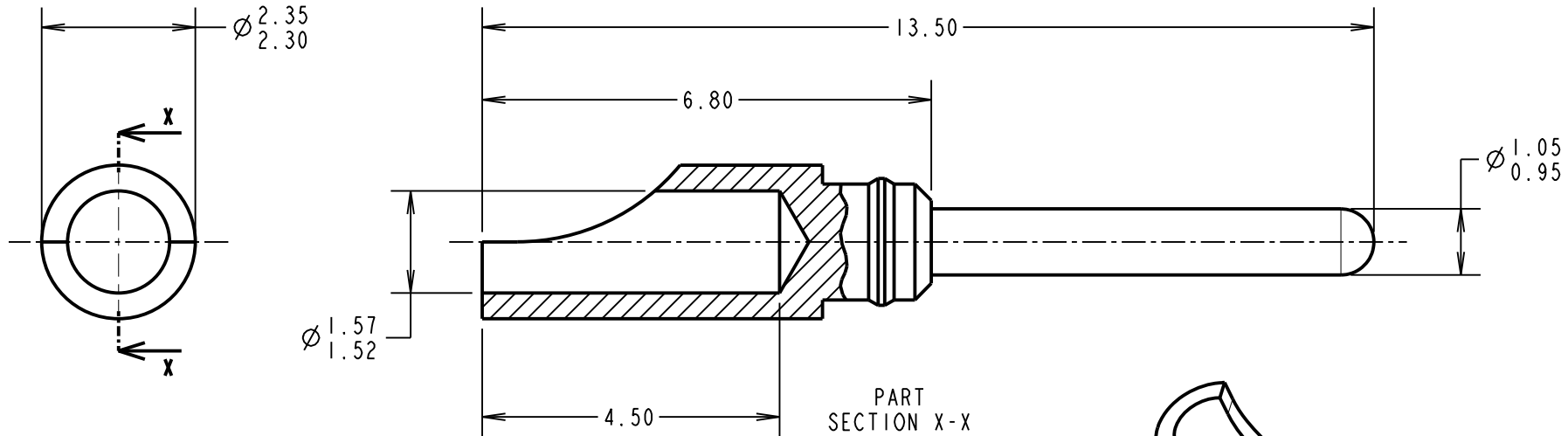
(C)

NOT TO SCALE

THIRD ANGLE PROJECTION

ALL DIMENSIONS IN mm

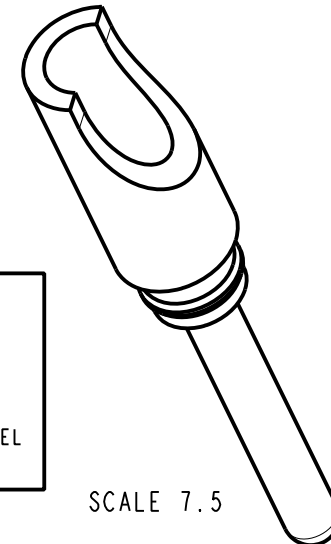
SEE COMPONENT SPECIFICATION C034XX FOR ASSEMBLY INSTRUCTIONS AND TECHNICAL DATA



**NOTES:**

1. RELEVANT SPECIFICATIONS ARE QUOTED ON THE MOULDING DRAWINGS, AND IN COMPONENT SPECIFICATION C034XX (LATEST ISSUE). THE COMPONENT SPECIFICATION ALSO INCLUDES NOTES ON ASSEMBLY METHODS.
2. THIS SOLDER-BUCKET PIN FITS INTO MOULDINGS K3600-91 (2-WAY POWER CONNECTOR) OR K3700-91 (3-WAY POWER CONNECTOR).
3. RECOMMENDED WIRE GAUGE = 18AWG, MAXIMUM INSULATION DIAMETER =  $\varnothing 1.8\text{mm}$ .
4. STRIP END OF WIRE BY 3.5-4.5mm.
5. ASSEMBLY TOOL ZK3610-00 CAN USED TO AID INSERTION AND EXTRACTION OF CONTACTS FROM MOULDING.

ORDER CODE:  
**K3602-XX**  
 FINISH \_\_\_\_\_  
 46 = 3.5-5.0 $\mu$  100% TIN OVER NICKEL



SCALE 7.5

WJP	4	18.03.15	12688
NAME	ISS.	DATE	C/NOTE
APPROVED: WJP			
CHECKED: MGP			
DRAWN: W. J. BOURNE			
CUSTOMER REF.:			
ASSEMBLY DRG:			

**HARWIN**

www.harwin.com  
 technical@harwin.com

THIS DRAWING AND ANY INFORMATION OR DESCRIPTIVE MATTER SET OUT HEREON ARE CONFIDENTIAL AND COPYRIGHT PROPERTY OF THE HARWIN GROUP AND MUST NOT BE DISCLOSED, LOANED, COPIED OR USED FOR MANUFACTURING, TENDERING OR FOR ANY OTHER PURPOSE WITHOUT THEIR WRITTEN PERMISSION.

TOLERANCES  
 X. =  $\pm 1\text{mm}$   
 X.X =  $\pm 0.50\text{mm}$   
 X.XX =  $\pm 0.10\text{mm}$   
 X.XXX =  $\pm 0.01\text{mm}$   
 ANGLES =  $\pm 5^\circ$   
 UNLESS STATED

MATERIAL:  
 BRASS CW614N - CuZn39Pb3  
 TO BS EN 12164  
 FINISH: SEE ORDER CODE  
 S/AREA: mm<sup>2</sup>

TITLE:  
 POWER CONNECTOR  
 SOLDER-BUCKET PIN

DRAWING NUMBER:  
**K3602-XX**

SHT  
 2 OF 2

## X-ON Electronics

Largest Supplier of Electrical and Electronic Components

*Click to view similar products for [Heavy Duty Power Connectors](#) category:*

*Click to view products by [Harwin](#) manufacturer:*

Other Similar products are found below :

[647757-1](#) [6643411-1](#) [6646058-2](#) [6646137-1](#) [6646138-1](#) [6646479-1](#) [6646608-1](#) [6646786-1](#) [6646940-1](#) [6651091-1](#) [6651525-1](#) [6651529-1](#)  
[6651788-1](#) [696475-1](#) [73000005059](#) [73000005642](#) [765-15-0080A](#) [765-16-0080B](#) [829992-1](#) [902-77-02113](#) [129-1J](#) [AN0024023](#) [E6374G1](#)  
[e6389g2](#) [157-43GW8](#) [MS3117-14AC](#) [1643543-1](#) [1650540-1](#) [1651811-2](#) [1766260-1](#) [1766282-1](#) [1766966-1](#) [1791340000](#) [NLDFT-3-BL-L-](#)  
[S120-M40A](#) [NLDFT-N-W-L-C240-M40B](#) [NLS-2-R-C240-M40B](#) [NLS-N-W-C240-M40B](#) [NPS-3-BL-T6](#) [1986615-1](#) [2-1589900-8](#) [2199314-1](#)  
[KA8102](#) [9300480317](#) [SBS50BRN#6](#) [29131](#) [29652](#) [1646905-1](#) [1648320-1](#) [1648582-1](#) [1650195-2](#)