

Customer Information Sheet

DRAWING No.: K3603-XX

SHEET 2 OF 2

IF IN DOUBT - ASK

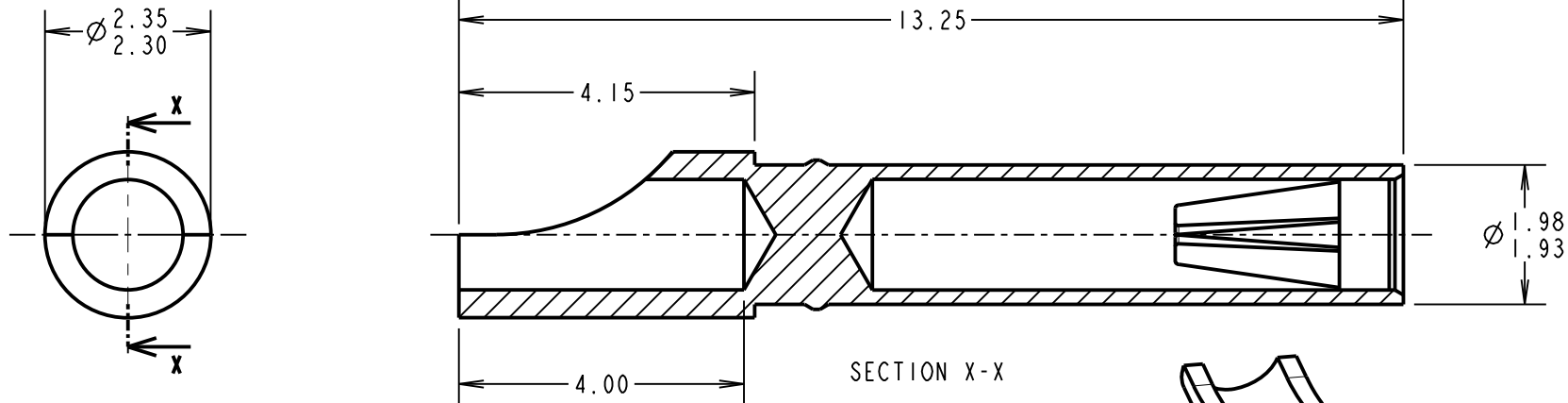
(C)

NOT TO SCALE

THIRD ANGLE PROJECTION

ALL DIMENSIONS IN mm

SEE COMPONENT SPECIFICATION C034XX FOR ASSEMBLY INSTRUCTIONS AND TECHNICAL DATA



NOTES:

1. RELEVANT SPECIFICATIONS ARE QUOTED ON THE MOULDING DRAWINGS, AND IN COMPONENT SPECIFICATION C034XX (LATEST ISSUE). THE COMPONENT SPECIFICATION ALSO INCLUDES NOTES ON ASSEMBLY METHODS.
2. THIS SOLDER-BUCKET SOCKET FITS INTO MOULDINGS K3601-91 (2-WAY POWER CONNECTOR) OR K3701-91 (3-WAY POWER CONNECTOR).
3. RECOMMENDED WIRE GAUGE = 18AWG, MAXIMUM INSULATION DIAMETER = \varnothing 1.8mm.
4. STRIP END OF WIRE BY 3.5-4mm.
5. ASSEMBLY TOOL ZK3610-00 CAN BE USED TO AID INSERTION AND EXTRACTION OF CONTACTS FROM MOULDING.
6. MATERIALS:
SHELL = BRASS
CLIP = BERYLLIUM COPPER

ORDER CODE:

K3603-XX

FINISH

46 = 3.0 μ 100% TIN OVER NICKEL CLIP
3.5-5.0 μ 100% TIN OVER NICKEL SHELL

SCALE 7.5

WJP	4	18.03.15	12688
NAME	ISS.	DATE	C/NOTE
APPROVED: WJP			
CHECKED: MGP			
DRAWN: W. J. BOURNE			
CUSTOMER REF.:			
ASSEMBLY DRG:			

HARWIN

www.harwin.com
technical@harwin.com

THIS DRAWING AND ANY INFORMATION OR DESCRIPTIVE MATTER SET OUT HEREON ARE CONFIDENTIAL AND COPYRIGHT PROPERTY OF THE HARWIN GROUP AND MUST NOT BE DISCLOSED, LOANED, COPIED OR USED FOR MANUFACTURING, TENDERING OR FOR ANY OTHER PURPOSE WITHOUT THEIR WRITTEN PERMISSION.

TOLERANCES

X. = \pm 1mm
X.X = \pm 0.50mm
X.XX = \pm 0.10mm
X.XXX = \pm 0.01mm
ANGLES = \pm 5°
UNLESS STATED

MATERIAL:

SEE NOTE 6

FINISH: SEE ORDER CODE

S/AREA: mm²

TITLE:

POWER CONNECTOR
SOLDER-BUCKET SOCKET ASSY

DRAWING NUMBER:

K3603-XX

SHT
2 OF 2

X-ON Electronics

Largest Supplier of Electrical and Electronic Components

Click to view similar products for [Heavy Duty Power Connectors](#) category:

Click to view products by [Harwin](#) manufacturer:

Other Similar products are found below :

[647757-1](#) [6643411-1](#) [6646058-2](#) [6646137-1](#) [6646138-1](#) [6646479-1](#) [6646608-1](#) [6646786-1](#) [6646940-1](#) [6651091-1](#) [6651525-1](#) [6651529-1](#)
[6651788-1](#) [696475-1](#) [73000005059](#) [73000005642](#) [765-15-0080A](#) [765-16-0080B](#) [829992-1](#) [902-77-02113](#) [129-1J](#) [AN0024023](#) [E6374G1](#)
[e6389g2](#) [157-43GW8](#) [MS3117-14AC](#) [1643543-1](#) [1650540-1](#) [1651811-2](#) [1766260-1](#) [1766282-1](#) [1766966-1](#) [1791340000](#) [NLDFT-3-BL-L-](#)
[S120-M40A](#) [NLDFT-N-W-L-C240-M40B](#) [NLS-2-R-C240-M40B](#) [NLS-N-W-C240-M40B](#) [NPS-3-BL-T6](#) [1986615-1](#) [2-1589900-8](#) [2199314-1](#)
[KA8102](#) [9300480317](#) [SBS50BRN#6](#) [29131](#) [29652](#) [1646905-1](#) [1648320-1](#) [1648582-1](#) [1650195-2](#)