

# Customer Information Sheet

DRAWING No.: K3607-XX

SHEET 2 OF 2

IF IN DOUBT - ASK

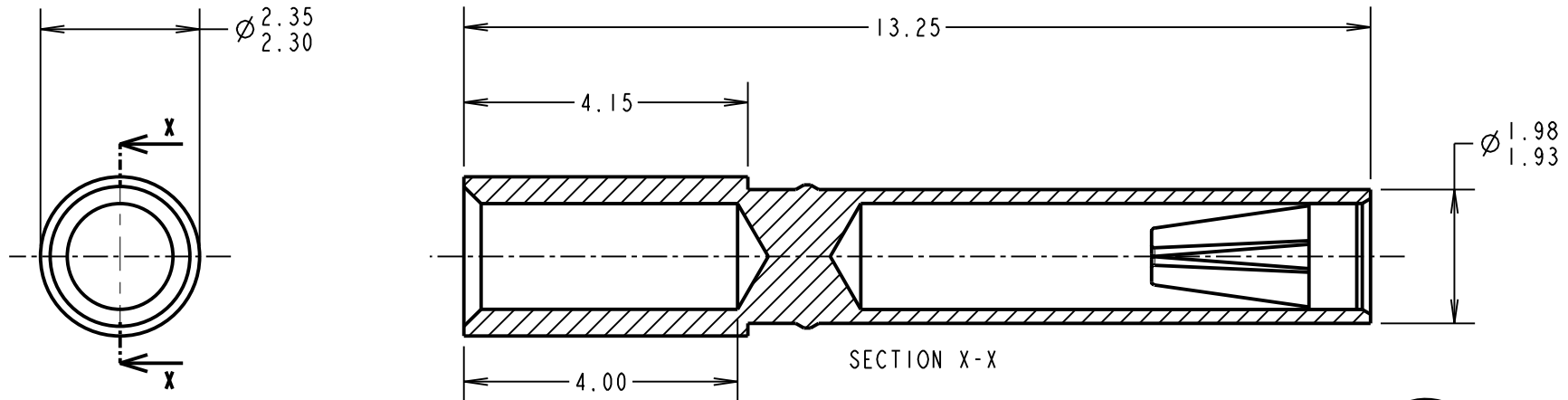
(C)

NOT TO SCALE

THIRD ANGLE PROJECTION

ALL DIMENSIONS IN mm

SEE COMPONENT SPECIFICATION C034XX FOR ASSEMBLY INSTRUCTIONS AND TECHNICAL DATA



**NOTES:**

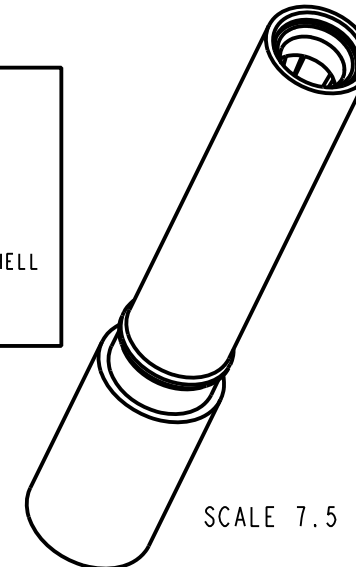
- RELEVANT SPECIFICATIONS ARE QUOTED ON THE MOULDING DRAWINGS, AND IN COMPONENT SPECIFICATION C034XX (LATEST ISSUE). THE COMPONENT SPECIFICATION ALSO INCLUDES NOTES ON ASSEMBLY METHODS.
- THIS CRIMP SOCKET FITS INTO MOULDINGS K3601-91 (2-WAY POWER CONNECTOR) OR K3701-91 (3-WAY POWER CONNECTOR).
- HAND CRIMP TOOL M22520/2-01 WITH POSITIONER ZK3609-00 SHOULD BE USED TO CRIMP WIRE TO THIS SOCKET.
- RECOMMENDED WIRE GAUGE = 18AWG, MAXIMUM INSULATION DIAMETER =  $\phi$ 1.8mm.
- STRIP END OF WIRE BY 3.5-4mm.
- ASSEMBLY TOOL ZK3610-00 CAN BE USED TO AID INSERTION AND EXTRACTION OF CONTACTS FROM MOULDING.
- MATERIALS:  
SHELL = BRASS  
CLIP = BERYLLIUM COPPER

ORDER CODE:

**K3607-XX**

FINISH

- 46 = 3.0 $\mu$  100% TIN OVER NICKEL CLIP  
3.5-5.0 $\mu$  100% TIN OVER NICKEL SHELL
- T6 = 3 $\mu$  90/10 TIN/LEAD CLIP  
3.5-5.0 $\mu$  90/10 TIN/LEAD SHELL



SCALE 7.5

|                |      |              |        |
|----------------|------|--------------|--------|
| MGP            | 3    | 22.05.13     | 12096  |
| NAME           | ISS. | DATE         | C/NOTE |
| APPROVED: MGP  |      |              |        |
| CHECKED: SF    |      |              |        |
| DRAWN:         |      | W. J. BOURNE |        |
| CUSTOMER REF.: |      |              |        |
| ASSEMBLY DRG:  |      |              |        |

**HARWIN**

www.harwin.com  
technical@harwin.com

THIS DRAWING AND ANY INFORMATION OR DESCRIPTIVE MATTER SET OUT HEREON ARE CONFIDENTIAL AND COPYRIGHT PROPERTY OF THE HARWIN GROUP AND MUST NOT BE DISCLOSED, LOANED, COPIED OR USED FOR MANUFACTURING, TENDERING OR FOR ANY OTHER PURPOSE WITHOUT THEIR WRITTEN PERMISSION.

**TOLERANCES**

- X. =  $\pm$ 1mm
- X.X =  $\pm$ 0.25mm
- X.XX =  $\pm$ 0.10mm
- X.XXX =  $\pm$ 0.01mm
- ANGLES =  $\pm$ 5°
- UNLESS STATED

**MATERIAL:**

SEE ABOVE

FINISH: SEE ABOVE

S/AREA: mm<sup>2</sup>

**TITLE:**

POWER CONNECTOR  
CRIMP SOCKET ASSY (18 AWG)

DRAWING NUMBER:

**K3607-XX**

SHT  
2 OF 2

## X-ON Electronics

Largest Supplier of Electrical and Electronic Components

*Click to view similar products for [Heavy Duty Power Connectors](#) category:*

*Click to view products by [Harwin](#) manufacturer:*

Other Similar products are found below :

[647757-1](#) [6643411-1](#) [6646058-2](#) [6646137-1](#) [6646138-1](#) [6646479-1](#) [6646608-1](#) [6646786-1](#) [6646940-1](#) [6651091-1](#) [6651525-1](#) [6651529-1](#)  
[6651788-1](#) [696475-1](#) [73000005059](#) [73000005642](#) [765-15-0080A](#) [765-16-0080B](#) [829992-1](#) [902-77-02113](#) [129-1J](#) [AN0024023](#) [E6374G1](#)  
[e6389g2](#) [157-43GW8](#) [MS3117-14AC](#) [1643543-1](#) [1650540-1](#) [1651811-2](#) [1766260-1](#) [1766282-1](#) [1766966-1](#) [1791340000](#) [NLDFT-3-BL-L-](#)  
[S120-M40A](#) [NLDFT-N-W-L-C240-M40B](#) [NLS-2-R-C240-M40B](#) [NLS-N-W-C240-M40B](#) [NPS-3-BL-T6](#) [1986615-1](#) [2-1589900-8](#) [2199314-1](#)  
[KA8102](#) [9300480317](#) [SBS50BRN#6](#) [29131](#) [29652](#) [1646905-1](#) [1648320-1](#) [1648582-1](#) [1650195-2](#)