

Customer Information Sheet

DRAWING No.: K3700-91

SHEET 2 OF 2

IF IN DOUBT - ASK

©

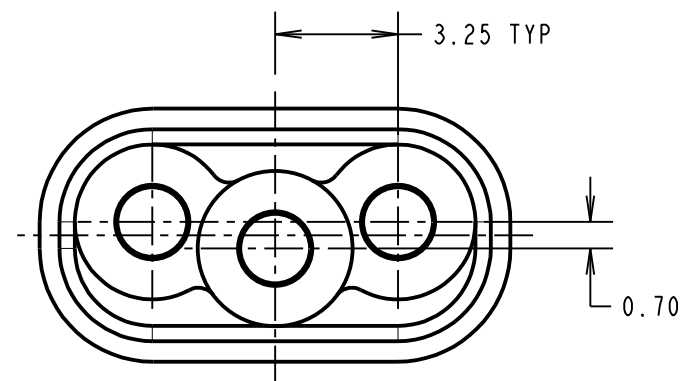
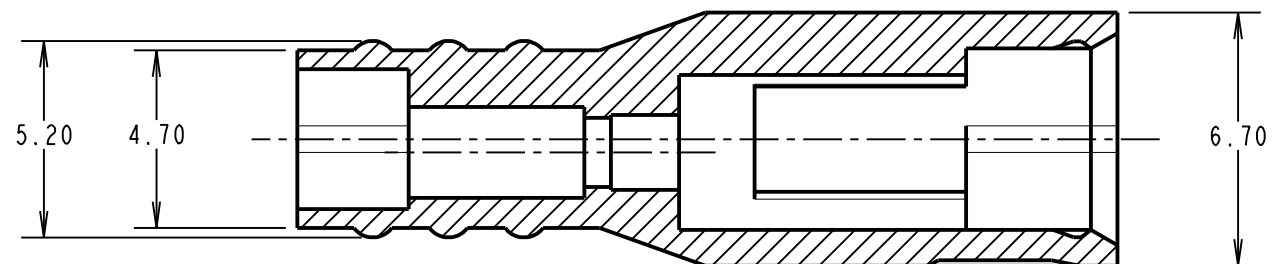
NOT TO SCALE

THIRD ANGLE PROJECTION

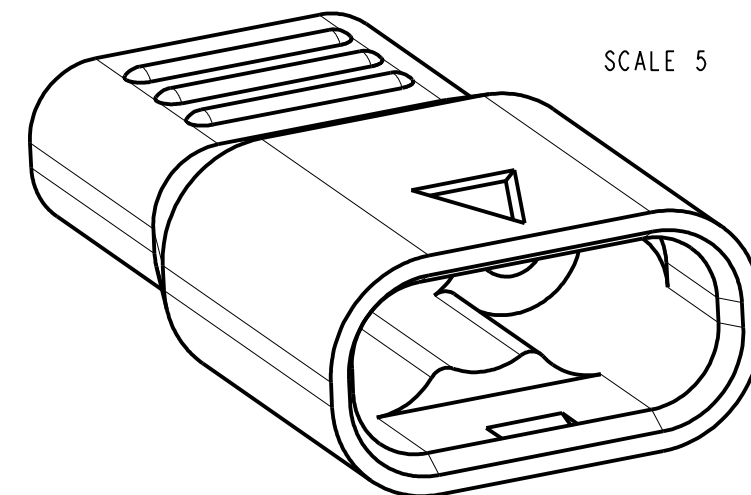
ALL DIMENSIONS IN mm

SEE COMPONENT SPECIFICATION C034XX FOR ASSEMBLY INSTRUCTIONS AND TECHNICAL DATA

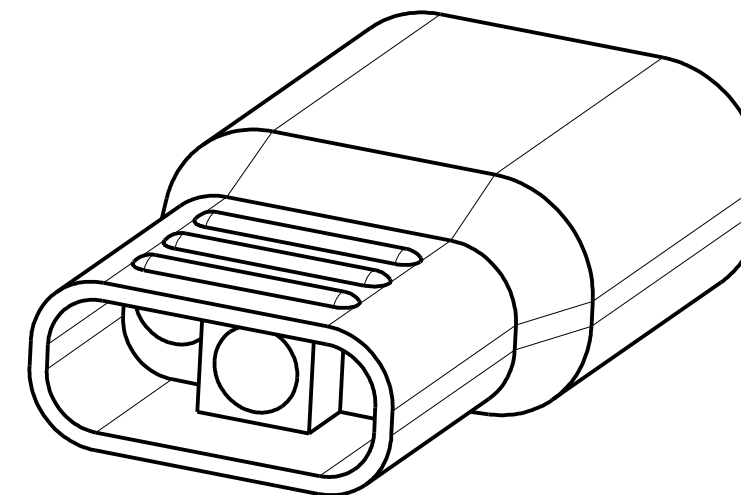
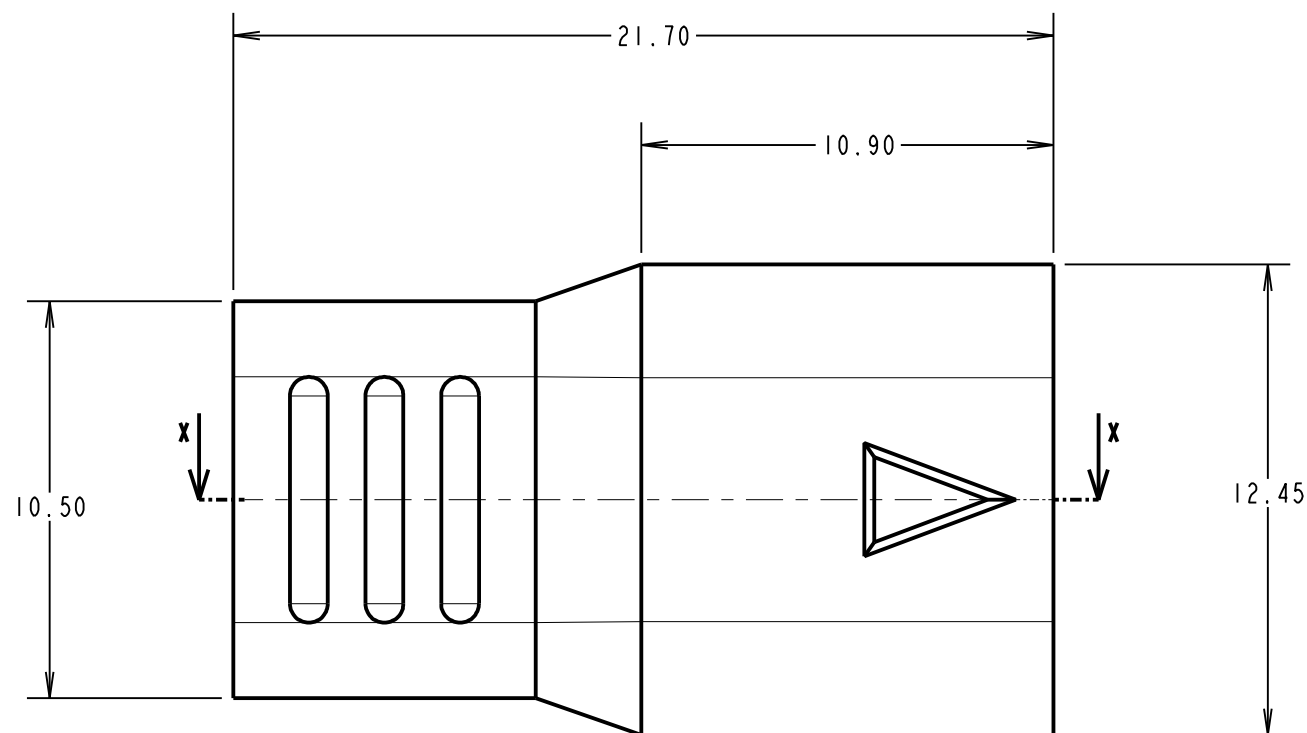
SECTION X-X



SCALE 5



ORDER CODE:
K3700-91
COLOUR
91 - GREY



SPECIFICATIONS:

ELECTRICAL:

- CURRENT RATING @ 25°C = 10A MAX
- CURRENT RATING @ 85°C = 7.5A MAX
- WORKING VOLTAGE = 250V AC/DC
- VOLTAGE PROOF = 750V AC/DC
- CONTACT RESISTANCE (INITIAL) = 10mΩ MAX
- CONTACT RESISTANCE (AFTER CONDITIONING) = 15mΩ MAX
- INSULATION RESISTANCE (INITIAL) = 1,000MΩ @ 500V DC FOR 1 MINUTE
- INSULATION RESISTANCE (AFTER CONDITIONING) = 100MΩ @ 500V DC FOR 1 MINUTE

MECHANICAL:

- DURABILITY = 100 OPERATIONS
- RETENTION FORCE OF CONTACT IN MOULDING (INITIAL) = 20N MIN
- INSERTION FORCE OF CONNECTOR ASSEMBLY = 40N MAX
- WITHDRAWAL FORCE OF CONNECTOR ASSEMBLY = 10N MIN
- CRIMP PULL-OFF FORCE (BS 5G 178) = 142N MIN
- PROTECTION RATING (BS EN 60529) = IP55 (SEE NOTE 3)

ENVIRONMENTAL:

- TEMPERATURE RANGE = -40°C TO +105°C

NOTES:

1. FOR COMPLETE SPECIFICATION, SEE COMPONENT SPECIFICATION C034XX (LATEST ISSUE). THE COMPONENT SPECIFICATION ALSO INCLUDES NOTES ON ASSEMBLY METHODS.
2. THIS MOULDING CAN BE USED WITH 3-OFF SOLDER-BUCKET CONTACTS K3602-06, OR 3-OFF CRIMP CONTACTS K3606-06 (SEE INSTRUCTION SHEET IS-01). SPECIFICATIONS LISTED HERE APPLY FOR A COMPLETE ASSEMBLY OF MOULDINGS AND CONTACTS.
3. ASSEMBLY TOOL ZK3610-00 CAN BE USED TO AID INSERTION AND EXTRACTION OF CONTACTS FROM MOULDING (SEE INSTRUCTION SHEET IS-22).
4. THIS MOULDING MATES WITH 3-WAY SOCKET MOULDING K3701-91.
5. THIS MOULDING MAY BE BACK-POTTED TO ACHIEVE A PROTECTION RATING OF IP55 (WHEN MATED).
6. ALL TOLERANCES ARE ±0.05 UNLESS OTHERWISE STATED.

MSP	3	30.10.15	13140
NAME	ISS.	DATE	C/NOTE
APPROVED:		M.PERREN	
CHECKED:		M.PLESTED	
DRAWN:		W. J. BOURNE	
CUSTOMER REF.:			
ASSEMBLY DRG:			

HARWIN

www.harwin.com
technical@harwin.com

THIS DRAWING AND ANY INFORMATION OR DESCRIPTIVE MATTER SET OUT HEREON ARE CONFIDENTIAL AND COPYRIGHT PROPERTY OF THE HARWIN GROUP AND MUST NOT BE DISCLOSED, LOANED, COPIED OR USED FOR MANUFACTURING, TENDERING OR FOR ANY OTHER PURPOSE WITHOUT THEIR WRITTEN PERMISSION.

TOLERANCES
~~X = ±1mm~~
~~X.X = ±0.50mm~~
~~X.XX = ±0.10mm~~
~~X.XXX = ±0.01mm~~
 ANGLES = ±5°
 UNLESS STATED

MATERIAL:
30% GLASS-FILLED POLYESTER
UL94V-0, GREY

FINISH:

S/AREA: mm²

TITLE:
POWER CONNECTOR
3-WAY PIN MOULDING

DRAWING NUMBER:
K3700-91

SHT
2 OF 2

X-ON Electronics

Largest Supplier of Electrical and Electronic Components

Click to view similar products for [Heavy Duty Power Connectors](#) category:

Click to view products by [Harwin](#) manufacturer:

Other Similar products are found below :

[647757-1](#) [6643411-1](#) [6646058-2](#) [6646137-1](#) [6646138-1](#) [6646479-1](#) [6646608-1](#) [6646786-1](#) [6646940-1](#) [6651091-1](#) [6651525-1](#) [6651529-1](#)
[6651788-1](#) [696475-1](#) [702-32-01109](#) [703-25-02205](#) [73000005059](#) [73000005642](#) [765-15-0080A](#) [765-16-0080B](#) [765-18-0080D](#) [829992-1](#)
[902-77-02113](#) [PS00/A0620/6300](#) [129-1J](#) [1409400](#) [AN0024023](#) [E6374G1](#) [e6389g2](#) [157-43GW8](#) [MS3117-14AC](#) [1643543-1](#) [1650540-1](#)
[1651811-2](#) [1766260-1](#) [1766282-1](#) [1766966-1](#) [1791340000](#) [NLDFT-3-BL-L-S120-M40A](#) [NLDFT-N-W-L-C240-M40B](#) [NLS-2-R-C240-](#)
[M40B](#) [NLS-N-W-C240-M40B](#) [NPS-3-BL-T6](#) [1986615-1](#) [2-1589900-8](#) [2199314-1](#) [KA8102](#) [9300480317](#) [SBS50BRN#6](#) [29131](#)