

# Customer Information Sheet

DRAWING No.: M20-786XXXX

SHEET 2 OF 2

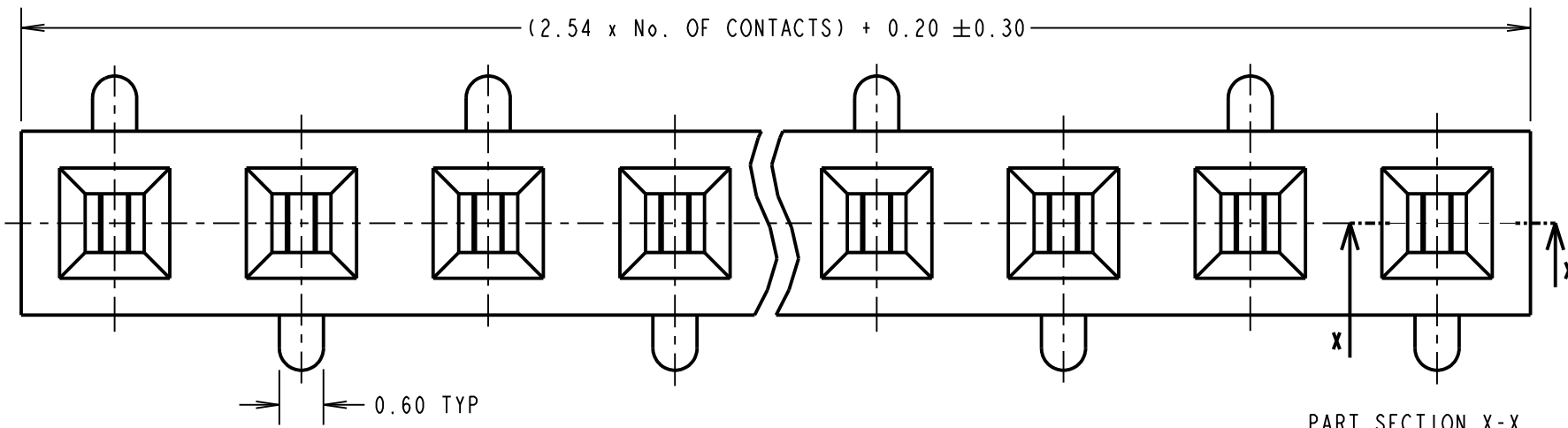
IF IN DOUBT - ASK

©

NOT TO SCALE

THIRD ANGLE PROJECTION

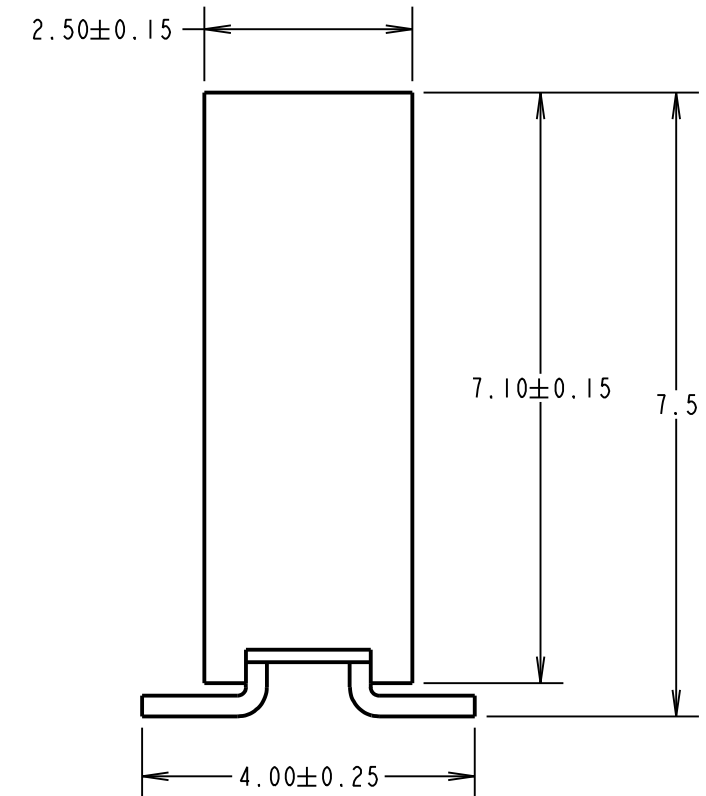
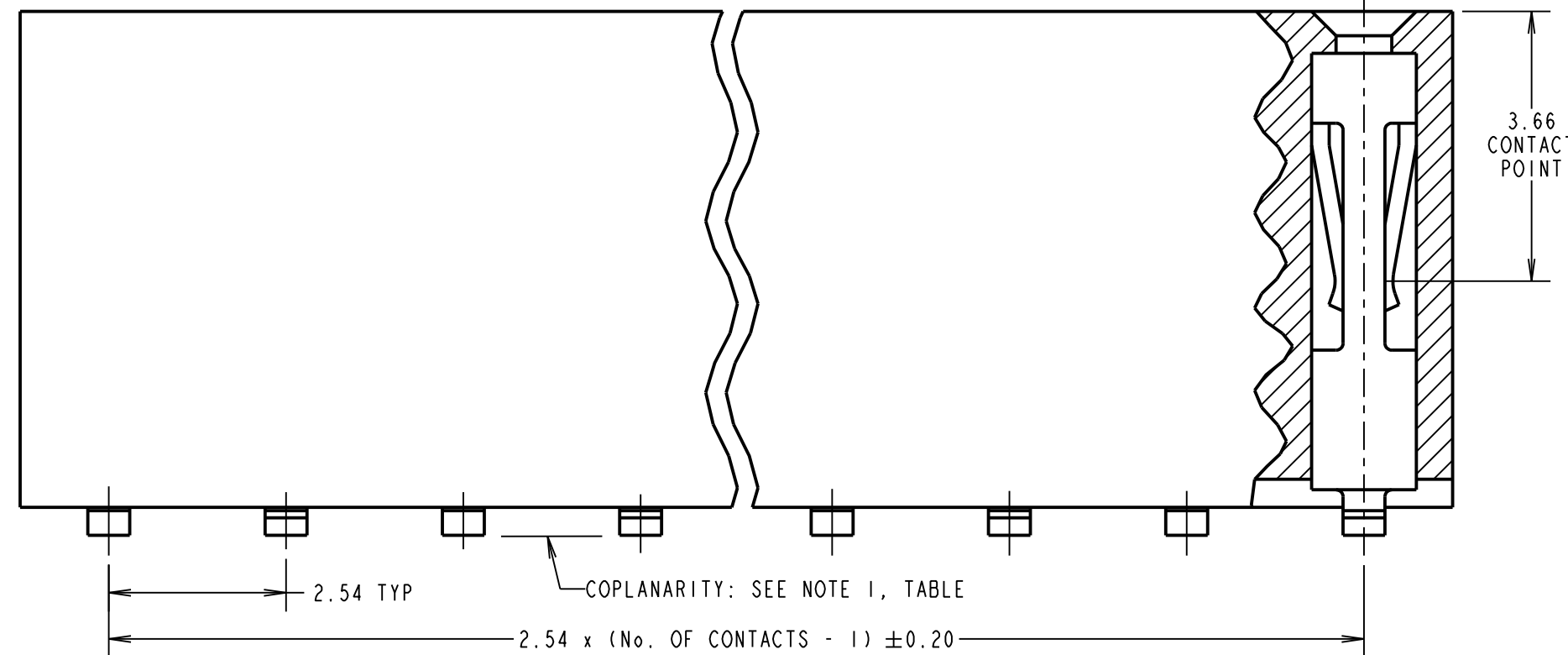
ALL DIMENSIONS IN mm



ORDER CODE: **M20-786XXXX**

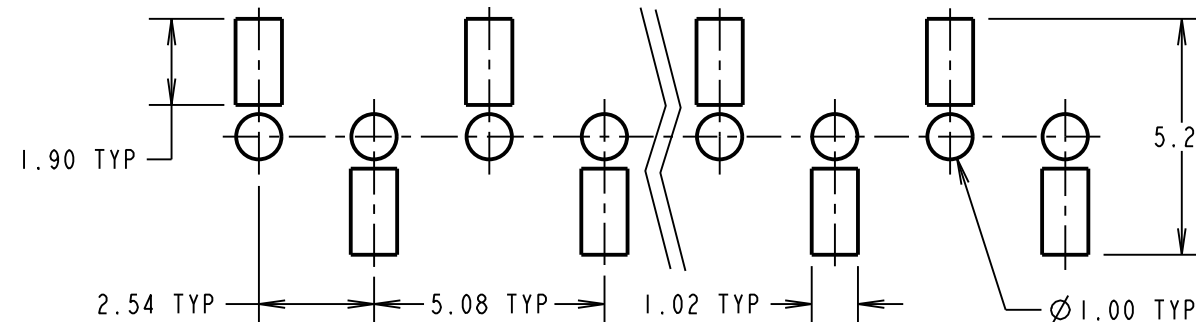
No. OF CONTACTS: \_\_\_\_\_  
02 TO 20

FINISH: \_\_\_\_\_  
42 = SELECTIVE GOLD / 100% TIN  
46 = 100% TIN



**SPECIFICATION:**  
**MATERIAL:**  
 MOULDING = PA6T UL94V-0, BLACK  
 CONTACTS = PHOSPHOR BRONZE  
**FINISH (OVER NICKEL):**  
 42 = GOLD ON CONTACT AREA, 100% TIN ON TAILS  
 46 = 100% TIN  
**ELECTRICAL:**  
 CURRENT RATING = 3A  
 VOLTAGE PROOF = 600V AC FOR 1 MINUTE  
 CONTACT RESISTANCE = 20mΩ MAX  
 INSULATION RESISTANCE = 1,000MΩ MIN  
**MECHANICAL:**  
 DURABILITY = 300 CYCLES MIN  
 INSERTION FORCE = 2.0N MAX  
 WITHDRAWAL FORCE = 0.3N MIN  
**ENVIRONMENTAL:**  
 TEMPERATURE RANGE = -40°C TO +105°C  
**PACKING:**  
 TUBE  
 FOR COMPLETE SPECIFICATION SEE COMPONENT SPECIFICATION COO1XX (LATEST ISSUE)

RECOMMENDED PCB LAYOUT  
(TOLERANCE = ±0.05)



NOTES:  
 1. CO-PLANARITY: FLATNESS OF SMT TAILS WILL NOT EXCEED VALUES GIVEN IN TABLE.

No OF CONTACTS	COPLANARITY TOLERANCE
02 TO 10	0.12mm MAX
11 TO 20	0.15mm MAX

WJP	10	01.08.17	20398
NAME	ISS.	DATE	C/NOTE
APPROVED: W. J. PRESTON			
CHECKED: S. BENNETT			
DRAWN: J. BROOKES			
CUSTOMER REF.:			
ASSEMBLY DRG:			

**HARWIN**

www.harwin.com  
 technical@harwin.com

THIS DRAWING AND ANY INFORMATION OR DESCRIPTIVE MATTER SET OUT HEREON ARE CONFIDENTIAL AND COPYRIGHT PROPERTY OF THE HARWIN GROUP AND MUST NOT BE DISCLOSED, LOANED, COPIED OR USED FOR MANUFACTURING, TENDERING OR FOR ANY OTHER PURPOSE WITHOUT THEIR WRITTEN PERMISSION.

**TOLERANCES**  
 X. = ±1mm  
 X.X = ±0.50mm  
 X.XX = ±0.10mm  
 X.XXX = ±0.01mm  
 ANGLES = ±5°  
 UNLESS STATED

**MATERIAL:**  
 SEE ABOVE  
**FINISH:**  
 SEE ABOVE  
**S/AREA:**  
 mm<sup>2</sup>

**TITLE:** 2.54mm PITCH SIL VERTICAL FEMALE SMT SKT ASSY DUAL ENTRY

**DRAWING NUMBER:** M20-786XXXX  
**SHT** 2 OF 2

## X-ON Electronics

Largest Supplier of Electrical and Electronic Components

*Click to view similar products for [Headers & Wire Housings](#) category:*

*Click to view products by [Harwin](#) manufacturer:*

Other Similar products are found below :

[892-18-020-10-001101](#) [58102-G61-06LF](#) [582553-1](#) [0009485154](#) [009176003701906](#) [0050291907](#) [LY20-4P-DT1-P1E-BR](#) [02.125.8002.8](#)  
[609-3404](#) [61062-3](#) [622-0430](#) [622-3653LF](#) [63453-116](#) [636-1030](#) [636-1427](#) [636-3427](#) [636-4007](#) [641938-9](#) [641991-4](#) [644827-2](#) [65817-010LF](#)  
[65817-015LF](#) [65863-015LF](#) [66207-023LF](#) [67095-007LF](#) [67601157](#) [68648-049](#) [70.362.1628.0](#) [70-4210](#) [70-4226B](#) [70-4853B](#) [707-5020](#) [707-](#)  
[5028](#) [71.350.2428.0](#) [71918-208LF](#) [71961-016LF](#) [733-134](#) [733-162](#) [754199-000](#) [760-3052](#) [787-8014-00](#) [79531-3000](#) [FCN-360C032-B](#) [FCN-](#)  
[367T-T012/H](#) [FCN-723D010/2](#) [80.063.4001.1](#) [800-90-001-10-001000](#) [800-90-010-10-002000](#) [801-43-002-10-013000](#) [801-43-006-10-002000](#)