

Customer Information Sheet

DRAWING No.: M20-875XX42X

SHEET 3 OF 4

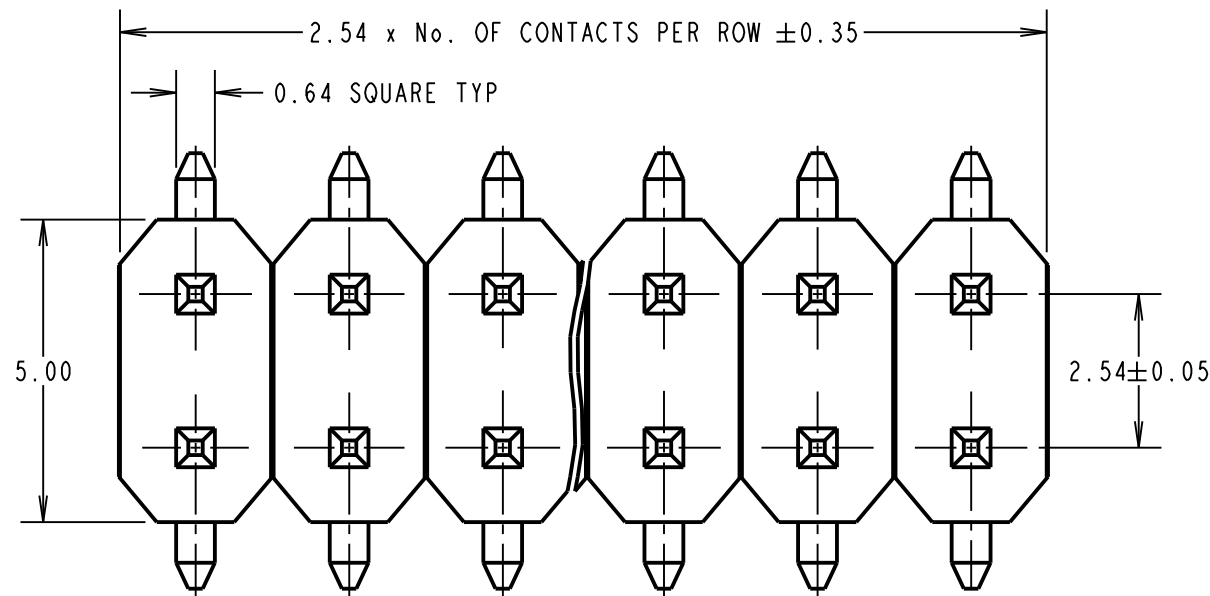
IF IN DOUBT - ASK

©

NOT TO SCALE

THIRD ANGLE PROJECTION

ALL DIMENSIONS IN mm



ORDER CODE:
M20-875XX42X

No. OF CONTACTS PER ROW: _____
02-08, 10

PACKING: _____
BLANK = TUBE
R = TAPE AND REEL (SHEET 4)

SPECIFICATIONS:

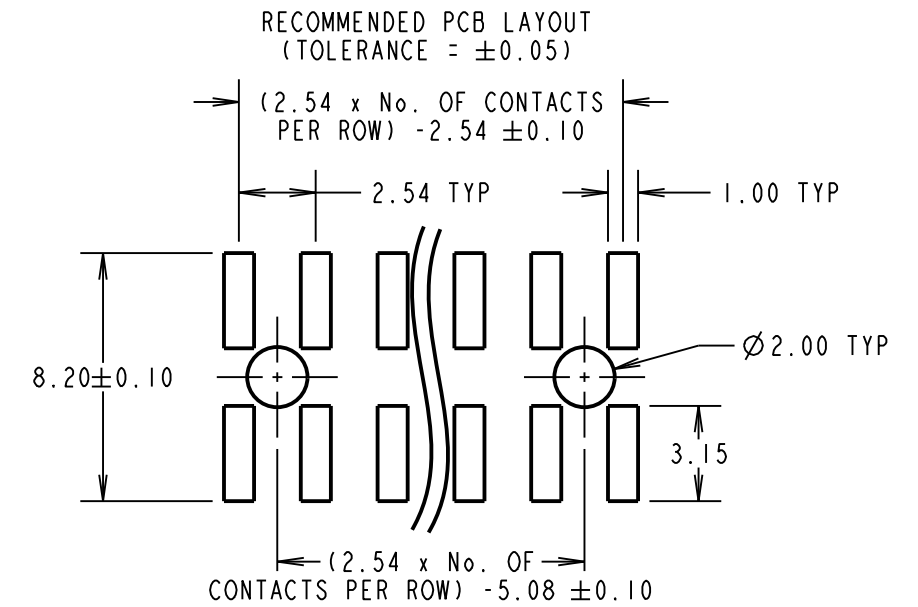
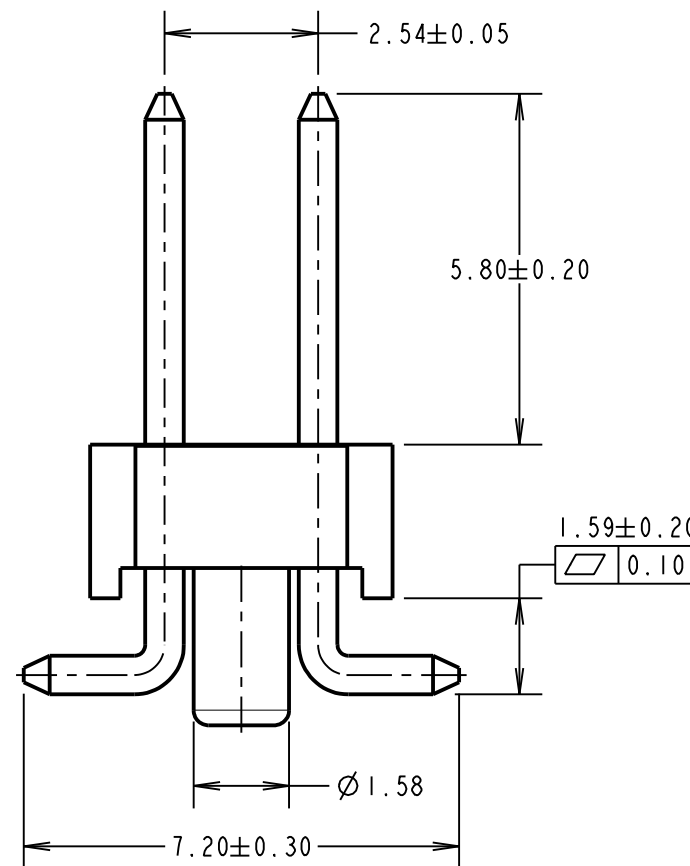
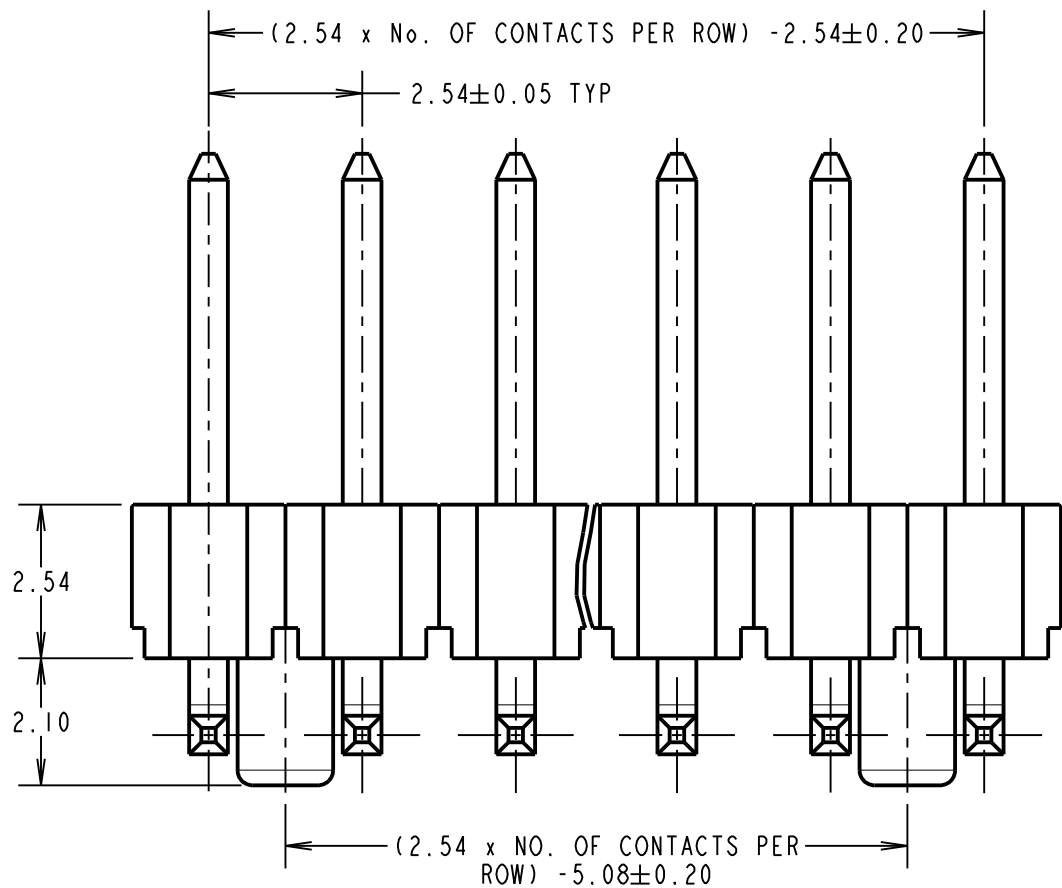
MATERIAL:
MOULD = GLASS FILLED PA6T, UL94V-0
CONTACTS = BRASS

FINISH:
0.76-1.27µ NICKEL ALL OVER,
0.02-0.025µ GOLD ON CONTACT AREA,
2.54µ TIN ON TAILS

ELECTRICAL:
CURRENT RATING = 3A
CONTACT RESISTANCE = 20mΩ MAX
INSULATION RESISTANCE = 1000MΩ MIN
VOLTAGE PROOF = 500V AC FOR ONE MINUTE

MECHANICAL:
DURABILITY = 300 CYCLES MAX

ENVIRONMENTAL:
OPERATING TEMPERATURE = -40°C TO +105°C



MSP	1	09.05.16	----
NAME	ISS.	DATE	C/NOTE
APPROVED:		M. PERREN	
CHECKED:		S. BENNETT	
DRAWN:		M. PERREN	
CUSTOMER REF.:			
ASSEMBLY DRG:			

NOTES:
1. FOR TAPE AND REEL DETAILS, SEE SHEET 4.
2. ALL TOLERANCES ARE ±0.15mm, UNLESS OTHERWISE STATED.

HARWIN

www.harwin.com
technical@harwin.com

THIS DRAWING AND ANY INFORMATION OR DESCRIPTIVE MATTER SET OUT HEREON ARE CONFIDENTIAL AND COPYRIGHT PROPERTY OF THE HARWIN GROUP AND MUST NOT BE DISCLOSED, LOANED, COPIED OR USED FOR MANUFACTURING, TENDERING OR FOR ANY OTHER PURPOSE WITHOUT THEIR WRITTEN PERMISSION.

TOLERANCES
X = ±1mm
X.X = ±0.50mm
X.XX = ±0.10mm
X.XXX = ±0.01mm
ANGLES = ±5°
UNLESS STATED

MATERIAL:

SEE ABOVE

FINISH: SEE ABOVE

S/AREA: mm²

TITLE:

2.54mm PIN HEADER DIL
VERTICAL SMT TAPE & REEL

DRAWING NUMBER:

M20-875XX42X

SHT
3
OF
4

Customer Information Sheet

DRAWING No.: M20-875XX42X

SHEET 4 OF 4

IF IN DOUBT - ASK

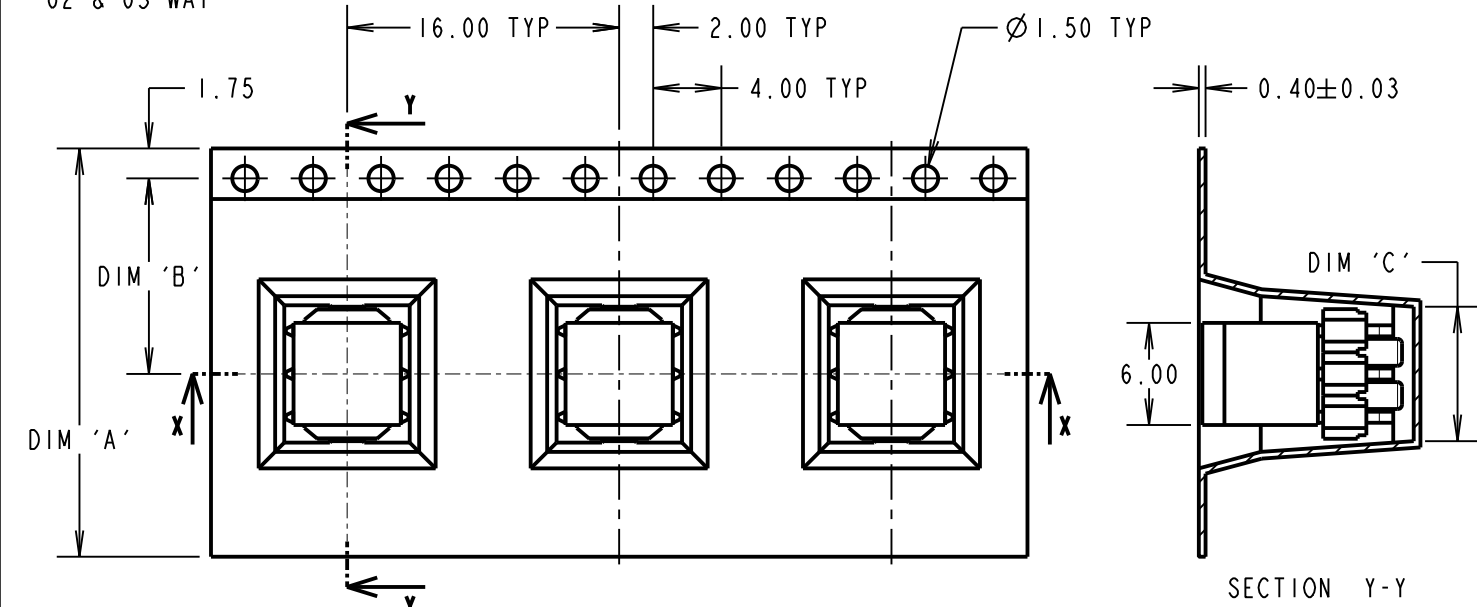
©

NOT TO SCALE

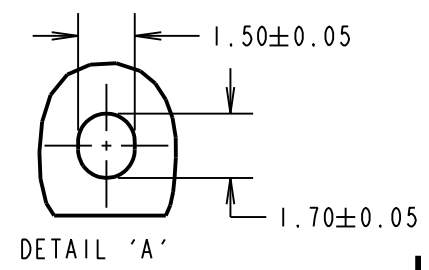
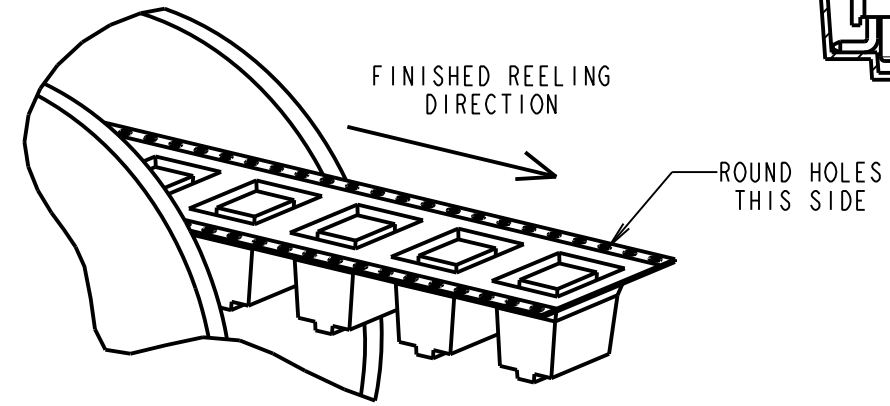
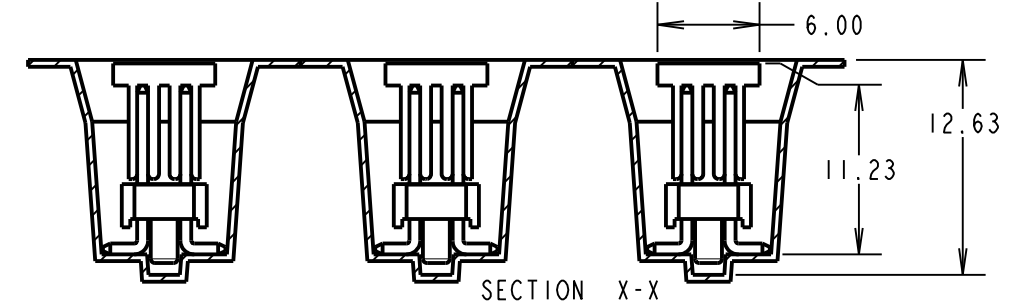
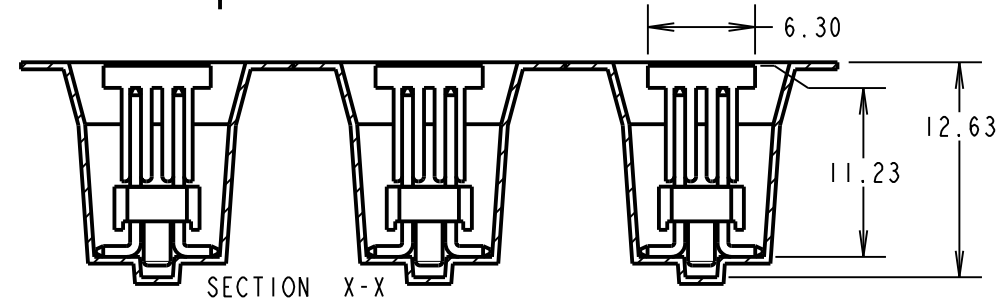
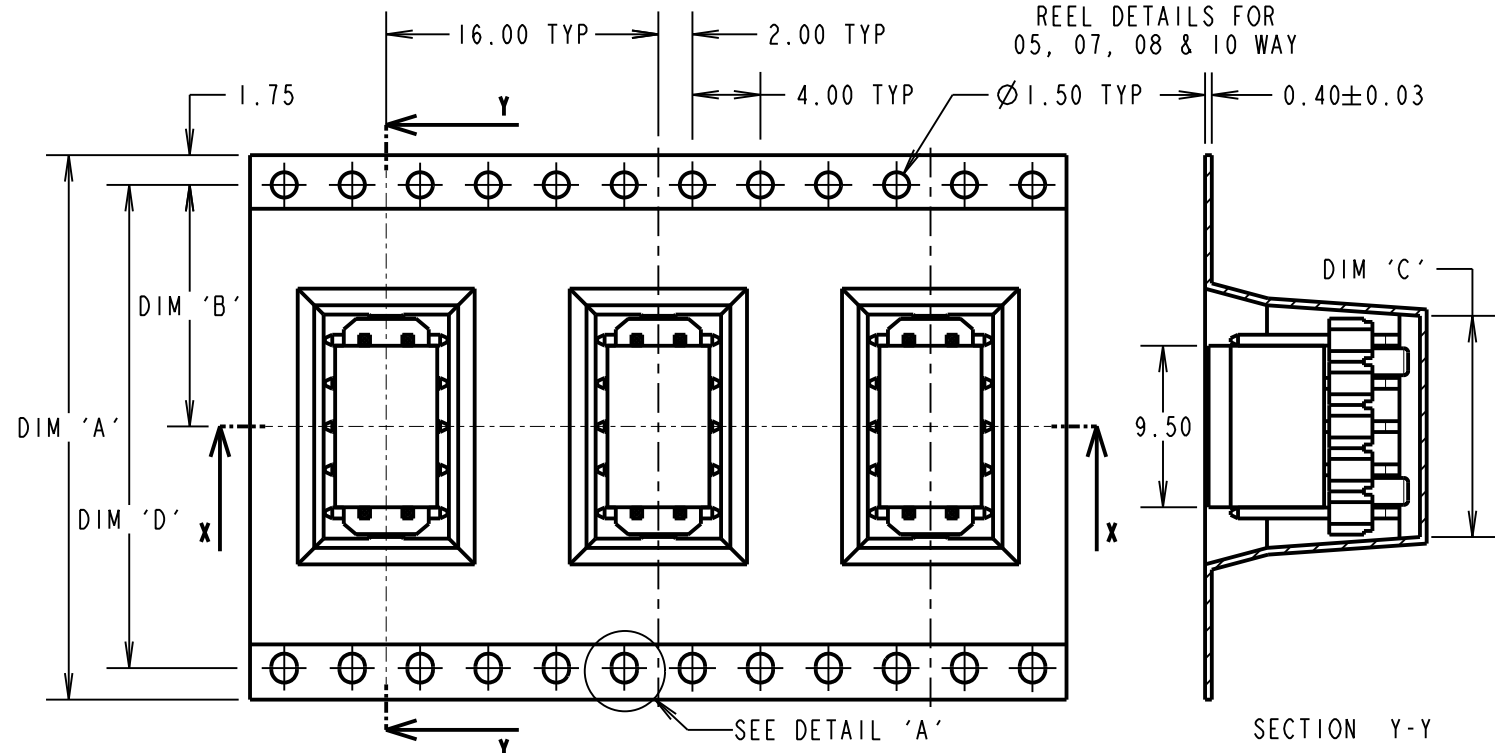
THIRD ANGLE PROJECTION

ALL DIMENSIONS IN mm

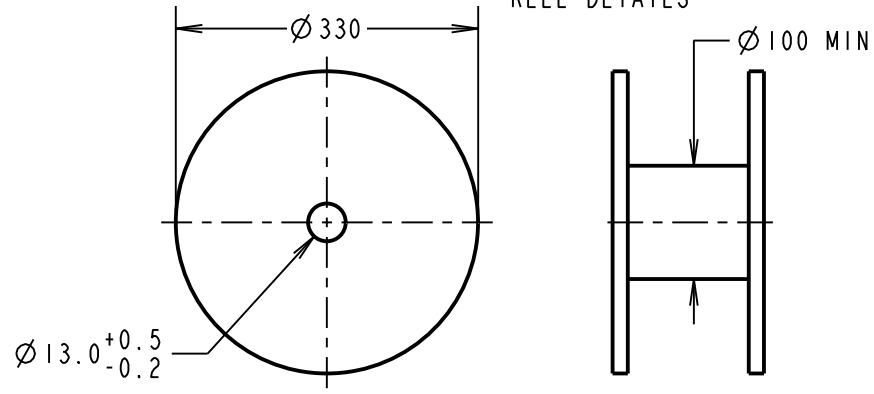
TAPE DETAILS FOR
02 & 03 WAY



REEL DETAILS FOR
05, 07, 08 & 10 WAY



REEL DETAILS



PART No.	DIMENSION				REEL QUANTITY
	DIM 'A'	DIM 'B'	DIM 'C'	DIM 'D'	
M20-8750245R	24.00±0.30	11.50±0.30	5.50	N/A	300
M20-8750345R			7.90		
M20-8750545R	32.00±0.30	14.20±0.30	13.00	28.40	
M20-8750745R	44.00±0.30	20.20±0.30	18.10	40.40	
M20-8750842R			20.70		
M20-8751042R	56.00±0.30	26.20±0.30	25.80	52.40	

ORDER CODE:
M20-875XX42X

No. OF CONTACTS PER ROW: _____
02, 03, 05, 07, 08, 10

PACKING: _____
BLANK = TUBE (SHEET 3)
R = TAPE AND REEL

MSP	1	09.05.16	----
NAME	ISS.	DATE	C/NOTE
APPROVED:		M.PERREN	
CHECKED:		S.BENNETT	
DRAWN:		M.PERREN	
CUSTOMER REF.:			
ASSEMBLY DRG:			

NOTES:
1. FOR CONNECTOR DETAILS AND SPECIFICATIONS SEE SHEET 3.
2. PRODUCT IS TAPE AND REELED IN GENERAL ACCORDANCE WITH EIA-481 (ELECTRAL INDUSTRIES ASSOCIATION).

HARWIN
www.harwin.com
technical@harwin.com

THIS DRAWING AND ANY INFORMATION OR DESCRIPTIVE MATTER SET OUT HEREON ARE CONFIDENTIAL AND COPYRIGHT PROPERTY OF THE HARWIN GROUP AND MUST NOT BE DISCLOSED, LOANED, COPIED OR USED FOR MANUFACTURING, TENDERING OR FOR ANY OTHER PURPOSE WITHOUT THEIR WRITTEN PERMISSION.

TOLERANCES
X. = ±1mm
X.X = ±0.50mm
X.XX = ±0.10mm
X.XXX = ±0.01mm
ANGLES = ±5°
UNLESS STATED

MATERIAL:
SEE ABOVE

FINISH: SEE ABOVE

S/AREA: mm²

TITLE:
2.54mm PIN HEADER DIL
VERTICAL SMT TAPE & REEL

DRAWING NUMBER:
M20-875XX42X

X-ON Electronics

Largest Supplier of Electrical and Electronic Components

Click to view similar products for [Headers & Wire Housings](#) category:

Click to view products by [Harwin](#) manufacturer:

Other Similar products are found below :

[892-18-020-10-001101](#) [58102-G61-06LF](#) [582553-1](#) [0009485154](#) [009176003701906](#) [0050291907](#) [LY20-4P-DT1-P1E-BR](#) [02.125.8002.8](#)
[609-3404](#) [61062-3](#) [622-0430](#) [622-3653LF](#) [63453-116](#) [636-1030](#) [636-1427](#) [636-3427](#) [636-4007](#) [641938-9](#) [641991-4](#) [644827-2](#) [65817-010LF](#)
[65817-015LF](#) [65863-015LF](#) [66207-023LF](#) [67095-007LF](#) [67601157](#) [68648-049](#) [70.362.1628.0](#) [70-4210](#) [70-4226B](#) [70-4853B](#) [707-5020](#) [707-](#)
[5028](#) [71.350.2428.0](#) [71918-208LF](#) [71961-016LF](#) [733-134](#) [733-162](#) [754199-000](#) [760-3052](#) [787-8014-00](#) [79531-3000](#) [FCN-360C032-B](#) [FCN-](#)
[367T-T012/H](#) [FCN-723D010/2](#) [80.063.4001.1](#) [800-90-001-10-001000](#) [800-90-010-10-002000](#) [801-43-002-10-013000](#) [801-43-006-10-002000](#)