

# Customer Information Sheet

DRAWING No.: M20-876XXXXP

SHEET 2 OF 2

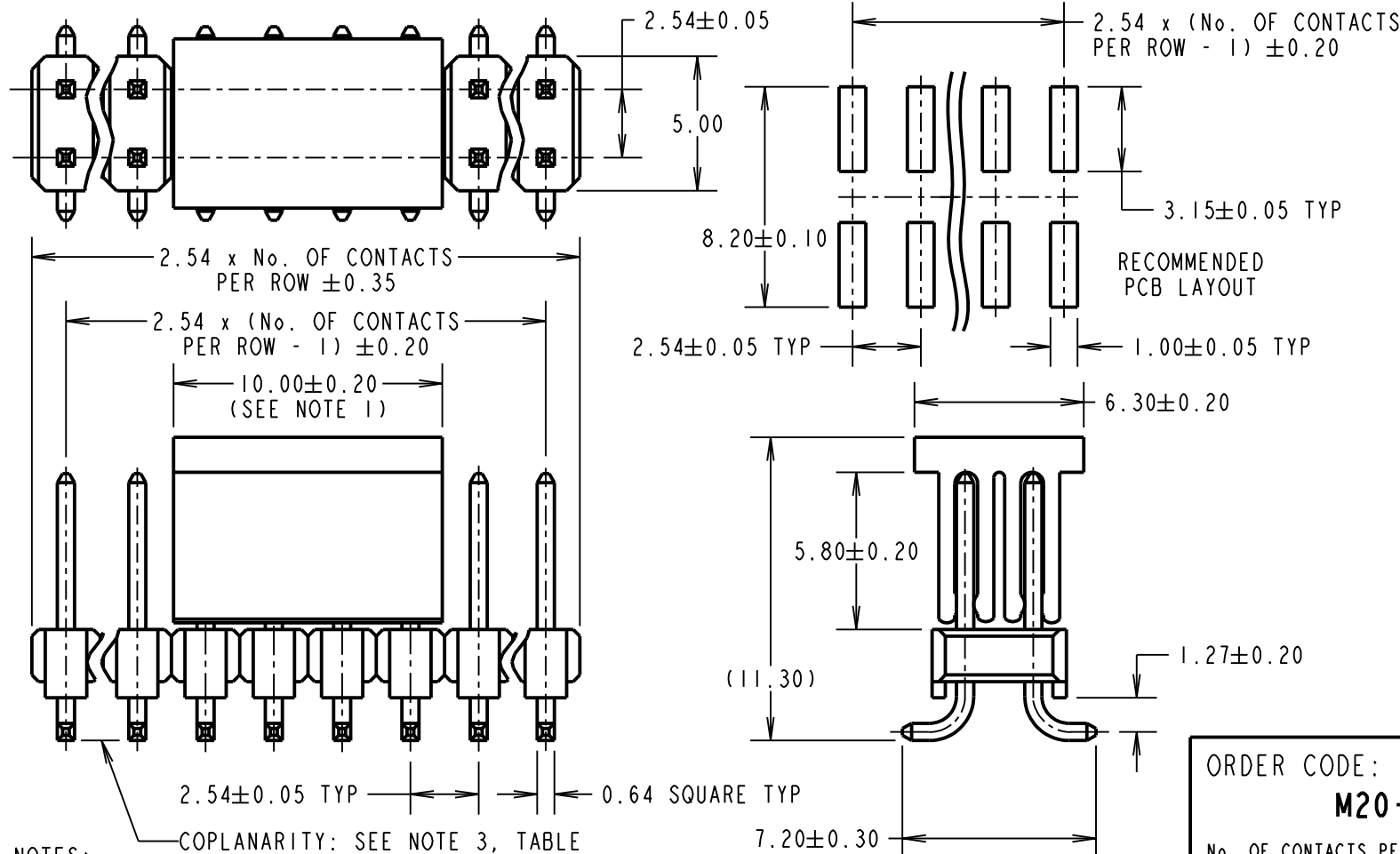
IF IN DOUBT - ASK

(C)

NOT TO SCALE

THIRD ANGLE PROJECTION

ALL DIMENSIONS IN mm



**SPECIFICATION:**  
**MATERIAL:**  
 MOULDING = PA6T UL94V-0, BLACK  
 CONTACT = BRASS  
**FINISH (OVER NICKEL):**  
 42 = SELECTIVE GOLD ON CONTACT AREA,  
 100% TIN ON TAILS  
 46 = 100% TIN  
**ELECTRICAL:**  
 CURRENT RATING = 3A MAX  
 CONTACT RESISTANCE = 20mΩ MAX  
 INSULATION RESISTANCE = 500MΩ MIN  
 DIELECTRIC STRENGTH = 1000V AC  
 VOLTAGE RATING = 250V AC/DC  
**MECHANICAL:**  
 DURABILITY = 50 OPERATIONS (TIN),  
 300 OPERATIONS (GOLD)  
**ENVIRONMENTAL:**  
 TEMPERATURE RANGE = -40°C TO +105°C  
**SOLDERING:**  
 REFLOW TEMP = 260°C FOR 10 SECONDS MAX  
 MANUAL TEMP = 330°C FOR 3-5 SECONDS  
**PACKING:**  
 TUBE  
 FOR COMPLETE SPECIFICATION, SEE COMPONENT  
 SPECIFICATION COOIXX (LATEST ISSUE)

| No. OF CONTACTS PER ROW | COPLANARITY TOLERANCE |
|-------------------------|-----------------------|
| 02 TO 12                | 0.10mm MAX            |
| 13 TO 20                | 0.15mm MAX            |
| 23                      | 0.20mm MAX            |

- NOTES:**
- FOR 4+4-WAYS AND LESS, CAP LENGTH = 6.00mm.
  - SEE M20-876XXXXR FOR TAPE & REELED VERSION, M20-876XXXX FOR STANDARD PRODUCT.
  - CO-PLANARITY: FLATNESS OF SMT TAILS WILL NOT EXCEED VALUES GIVEN IN TABLE.
  - ALL TOLERANCES ARE ±0.15 UNLESS OTHERWISE STATED.

**ORDER CODE:**  
**M20-876XXXXP**  
 No. OF CONTACTS PER ROW:  
 02 TO 20, 23  
**FINISH:**  
 42 = SELECTIVE GOLD + 100% TIN  
 46 = 100% TIN

|                         |      |          |        |
|-------------------------|------|----------|--------|
| WJP                     | 10   | 01.08.17 | 20398  |
| NAME                    | ISS. | DATE     | C/NOTE |
| APPROVED: W. J. PRESTON |      |          |        |
| CHECKED: S. BENNETT     |      |          |        |
| DRAWN: A. J. FILLINGHAM |      |          |        |
| CUSTOMER REF.:          |      |          |        |
| ASSEMBLY DRG:           |      |          |        |

**HARWIN**

www.harwin.com  
 technical@harwin.com

THIS DRAWING AND ANY INFORMATION OR DESCRIPTIVE MATTER SET OUT HEREON ARE CONFIDENTIAL AND COPYRIGHT PROPERTY OF THE HARWIN GROUP AND MUST NOT BE DISCLOSED, LOANED, COPIED OR USED FOR MANUFACTURING, TENDERING OR FOR ANY OTHER PURPOSE WITHOUT THEIR WRITTEN PERMISSION.

**TOLERANCES**  
~~X. = ±1mm~~  
~~X.X = ±0.50mm~~  
~~X.XX = ±0.10mm~~  
~~X.XXX = ±0.01mm~~  
 ANGLES = ±5°  
 UNLESS STATED

**MATERIAL:**  
 SEE ABOVE  
**FINISH:** SEE ABOVE  
**S/AREA:** mm<sup>2</sup>

**TITLE:** 2.54mm PITCH DIL SMT PIN HEADER ASSEMBLY WITH PICK & PLACE CAP  
**DRAWING NUMBER:** M20-876XXXXP  
**SHT** 2 **OF** 2

## X-ON Electronics

Largest Supplier of Electrical and Electronic Components

*Click to view similar products for [Headers & Wire Housings](#) category:*

*Click to view products by [Harwin](#) manufacturer:*

Other Similar products are found below :

[892-18-020-10-001101](#) [58102-G61-06LF](#) [582553-1](#) [0009485154](#) [009176003701906](#) [0050291907](#) [LY20-4P-DT1-P1E-BR](#) [02.125.8002.8](#)  
[609-3404](#) [61062-3](#) [622-0430](#) [622-3653LF](#) [63453-116](#) [636-1030](#) [636-1427](#) [636-3427](#) [636-4007](#) [641938-9](#) [641991-4](#) [644827-2](#) [65817-010LF](#)  
[65817-015LF](#) [65863-015LF](#) [66207-023LF](#) [67095-007LF](#) [67601157](#) [68648-049](#) [70.362.1628.0](#) [70-4210](#) [70-4226B](#) [70-4853B](#) [707-5020](#) [707-](#)  
[5028](#) [71.350.2428.0](#) [71918-208LF](#) [71961-016LF](#) [733-134](#) [733-162](#) [754199-000](#) [760-3052](#) [787-8014-00](#) [79531-3000](#) [FCN-360C032-B](#) [FCN-](#)  
[367T-T012/H](#) [FCN-723D010/2](#) [80.063.4001.1](#) [800-90-001-10-001000](#) [800-90-010-10-002000](#) [801-43-002-10-013000](#) [801-43-006-10-002000](#)