

# Customer Information Sheet

DRAWING No.: M20-876XXXXR

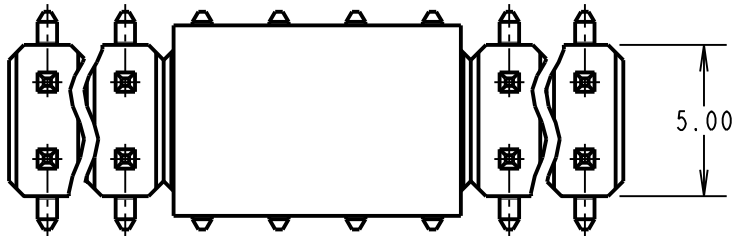
IF IN DOUBT - ASK

©

NOT TO SCALE

THIRD ANGLE PROJECTION

ALL DIMENSIONS IN mm



**NOTES:**

- FOR 4+4-WAYS AND LESS, CAP LENGTH = 6.00mm.
- SEE DRAWING M20-876XXXXP FOR PICK AND PLACE VERSION, M20-876XXXX FOR STANDARD PRODUCT.
- CO-PLANARITY: FLATNESS OF SMT TAILS MUST NOT EXCEED VALUES GIVEN IN TABLE.
- ALL TOLERANCES ARE  $\pm 0.15$  UNLESS OTHERWISE STATED.

**SPECIFICATION:**

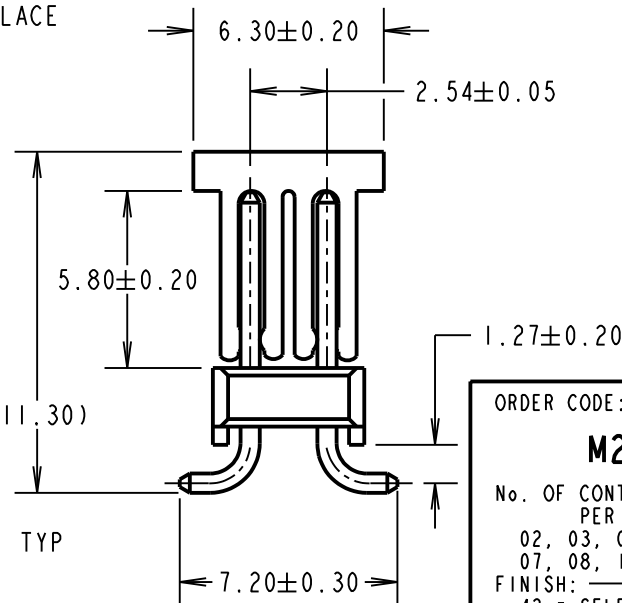
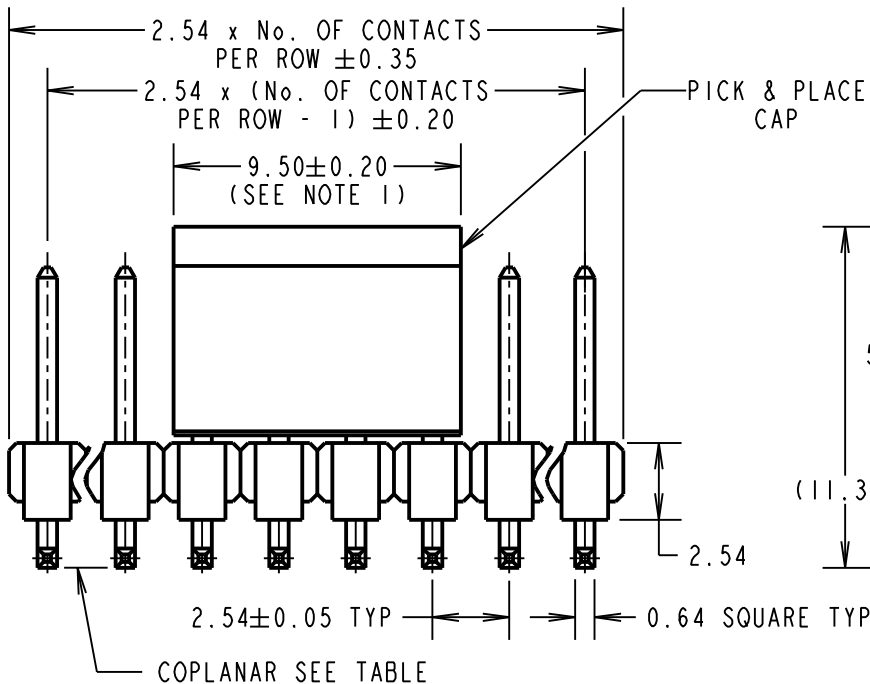
**MATERIAL:**  
 MOULDING = NYLON 6T UL94V-0, BLACK  
 CONTACT = BRASS  
**FINISH:**  
 42 = SELECTIVE GOLD ON CONTACT AREA,  
 100% TIN ON TAILS  
 46 = 100% TIN

**ELECTRICAL:**  
 CURRENT RATING = 3A MAX  
 CONTACT RESISTANCE =  $20 \text{ m}\Omega$  MAX  
 INSULATION RESISTANCE =  $500 \text{ M}\Omega$  MIN  
 DIELECTRIC STRENGTH = 1000V AC  
 VOLTAGE RATING = 250V AC/DC

**MECHANICAL:**  
 DURABILITY = 50 OPERATIONS (TIN),  
 300 OPERATIONS (GOLD)

**ENVIRONMENTAL:**  
 TEMPERATURE RANGE =  $-40^\circ\text{C}$  TO  $+105^\circ\text{C}$

**SOLDERING:**  
 REFLOW TEMP =  $260^\circ\text{C}$  FOR 10 SECONDS MAX  
 MANUAL TEMP =  $330^\circ\text{C}$  FOR 3-5 SECONDS  
 FOR COMPLETE SPECIFICATION, SEE COMPONENT SPECIFICATION COOIXX (LATEST ISSUE)



No OF CONTACTS	COPLANARITY TOLERANCE
2x02 TO 2x12	0.10mm MAX
2x13 TO 2x17	0.15mm MAX

ORDER CODE:  
**M20-876XXXXR**

No. OF CONTACTS PER ROW:  
 02, 03, 04, 05, 06,  
 07, 08, 10, 17

FINISH:  
 42 = SELECTIVE GOLD + 100% TIN  
 46 = 100% TIN

MGP	15	19.11.19	22179
NAME	ISS.	DATE	C/NOTE
APPROVED: MGP			
CHECKED: RP			
DRAWN: W. J. BOURNE			
CUSTOMER REF.:			
ASSEMBLY DRG:			

**HARWIN**

www.harwin.com  
 technical@harwin.com

THIS DRAWING AND ANY INFORMATION OR DESCRIPTIVE MATTER SET OUT HEREON ARE CONFIDENTIAL AND COPYRIGHT PROPERTY OF THE HARWIN GROUP AND MUST NOT BE DISCLOSED, LOANED, COPIED OR USED FOR MANUFACTURING, TENDERING OR FOR ANY OTHER PURPOSE WITHOUT THEIR WRITTEN PERMISSION.

**TOLERANCES**  
~~X. =  $\pm 1$ mm~~  
~~X.X =  $\pm 0.50$ mm~~  
~~X.XX =  $\pm 0.20$ mm~~  
~~X.XXX =  $\pm 0.1$ mm~~  
 ANGLES =  $\pm 5^\circ$   
 UNLESS STATED

**MATERIAL:**  
 SEE ABOVE

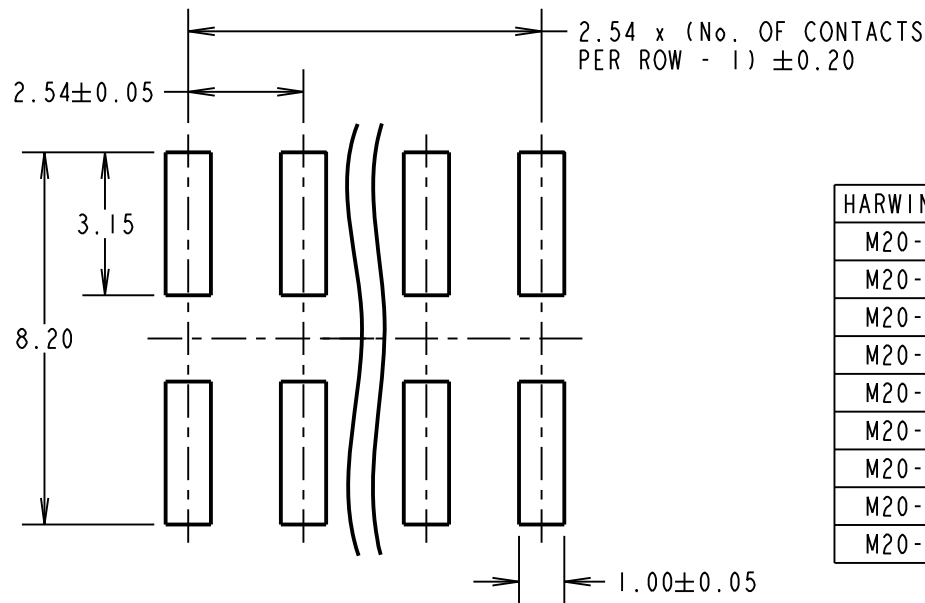
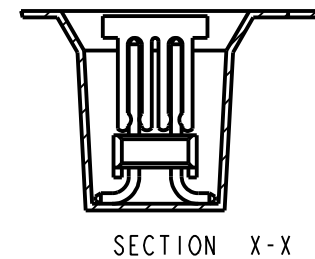
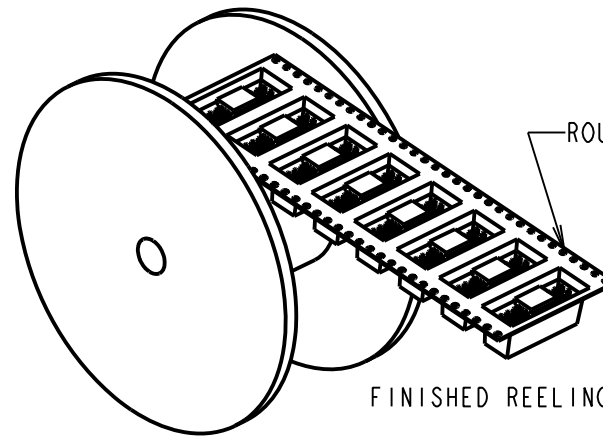
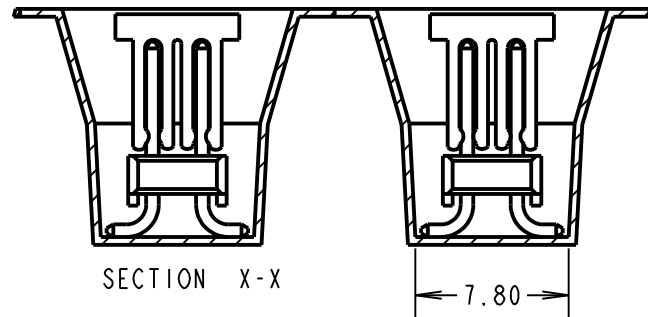
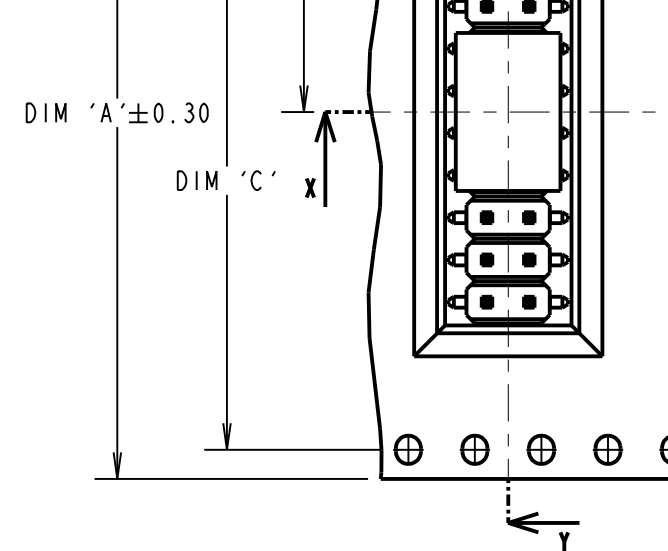
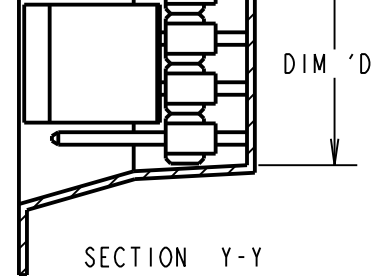
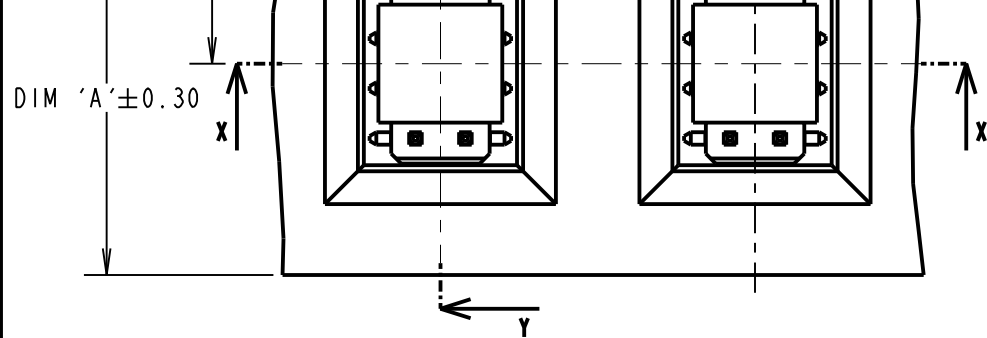
**FINISH:**  
 SEE ABOVE

**S/AREA:**  
 mm<sup>2</sup>

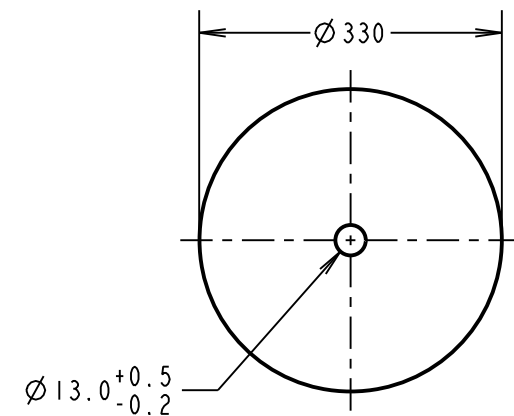
**TITLE:** 2.54mm PITCH DIL  
 SMT PIN HEADER ASSEMBLY  
 (WITH P/PLACE CAP, T/REEL)

**DRAWING NUMBER:**  
**M20-876XXXXR**

SHT 3 OF 4



HARWIN PART No.	DIM 'A'	DIM 'B'	DIM 'C'	DIM 'D'
M20-87602XXR	24.00	11.50	X	5.28
M20-87603XXR				7.80
M20-87604XXR				10.36
M20-87605XXR	32.00	28.40	14.20	12.90
M20-87606XXR				15.44
M20-87607XXR				18.00
M20-87608XXR	44.00	40.40	20.20	20.60
M20-87610XXR				25.65
M20-87617XXR				43.60



- NOTES:
1. QUANTITY PER REEL = 350 PIECES.
  2. FOR CONNECTOR DIMENSIONS AND SPECIFICATIONS, SEE SHEET 3.
  3. TAPE & REELING TO BE IN ACCORDANCE WITH ELECTRONIC INDUSTRIES ASSOCIATION EIA-481.

# HARWIN

www.harwin.com  
technical@harwin.com

THIS DRAWING AND ANY INFORMATION OR DESCRIPTIVE MATTER SET OUT HEREON ARE CONFIDENTIAL AND COPYRIGHT PROPERTY OF THE HARWIN GROUP AND MUST NOT BE DISCLOSED, LOANED, COPIED OR USED FOR MANUFACTURING, TENDERING OR FOR ANY OTHER PURPOSE WITHOUT THEIR WRITTEN PERMISSION.

TOLERANCES  
X. = ±1mm  
X.X = ±0.50mm  
X.XX = ±0.20mm  
X.XXX = ±0.01mm  
ANGLES = ±5°  
UNLESS STATED

MATER  
FINIS  
S/ARE

## X-ON Electronics

Largest Supplier of Electrical and Electronic Components

*Click to view similar products for [Headers & Wire Housings](#) category:*

*Click to view products by [Harwin](#) manufacturer:*

Other Similar products are found below :

[892-18-020-10-001101](#) [58102-G61-06LF](#) [582553-1](#) [0009485154](#) [009176003701906](#) [0050291907](#) [LY20-4P-DT1-P1E-BR](#) [02.125.8002.8](#)  
[609-3404](#) [61062-3](#) [622-0430](#) [622-3653LF](#) [63453-116](#) [636-1030](#) [636-1427](#) [636-3427](#) [636-4007](#) [641938-9](#) [641991-4](#) [644827-2](#) [65817-010LF](#)  
[65817-015LF](#) [65863-015LF](#) [66207-023LF](#) [67095-007LF](#) [67601157](#) [68648-049](#) [70.362.1628.0](#) [70-4210](#) [70-4226B](#) [70-4853B](#) [707-5020](#) [707-](#)  
[5028](#) [71.350.2428.0](#) [71918-208LF](#) [71961-016LF](#) [733-134](#) [733-162](#) [754199-000](#) [760-3052](#) [787-8014-00](#) [79531-3000](#) [FCN-360C032-B](#) [FCN-](#)  
[367T-T012/H](#) [FCN-723D010/2](#) [80.063.4001.1](#) [800-90-001-10-001000](#) [800-90-010-10-002000](#) [801-43-002-10-013000](#) [801-43-006-10-002000](#)