

Customer Information Sheet

DRAWING No.: M20-877XXXXR

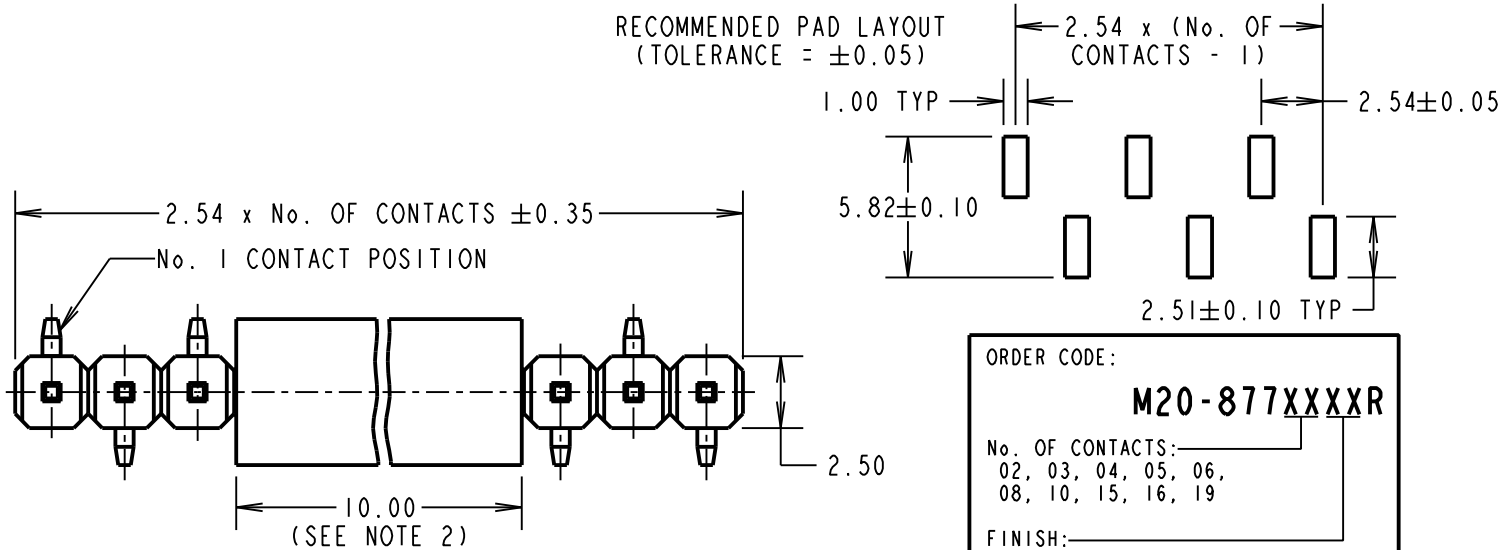
IF IN DOUBT - ASK

©

NOT TO SCALE

THIRD ANGLE PROJECTION

ALL DIMENSIONS IN mm



ORDER CODE:

M20-877XXXXR

No. OF CONTACTS: _____
02, 03, 04, 05, 06,
08, 10, 15, 16, 19

FINISH: _____
42 = SELECTIVE GOLD + 100% TIN
46 = 100% TIN

SPECIFICATION:

MATERIAL:
MOULDING = PA6T UL94V-0, BLACK
CONTACT = BRASS
FINISH (OVER NICKEL):
42 = SELECTIVE GOLD ON CONTACT AREA,
100% TIN ON TAILS
46 = 100% TIN

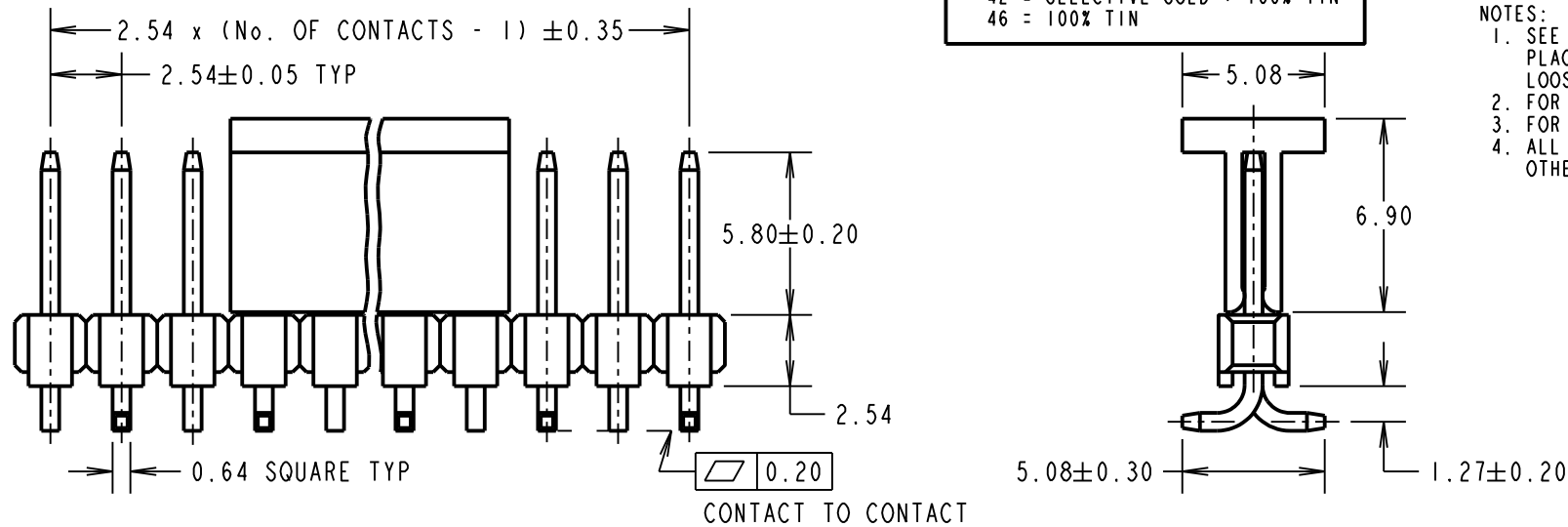
ELECTRICAL:
CURRENT RATING = 3A MAX
CONTACT RESISTANCE = 30m Ω MAX (TIN),
25m Ω MAX (GOLD)
INSULATION RESISTANCE = 1,000M Ω MIN
DIELECTRIC STRENGTH = 750V AC/DC

MECHANICAL:
DURABILITY = 50 OPERATIONS (TIN),
300 OPERATIONS (GOLD)

ENVIRONMENTAL:
TEMPERATURE RANGE = -40°C TO +105°C

PACKING:
BAG

FOR COMPLETE SPECIFICATION, SEE COMPONENT SPECIFICATION C001XX (LATEST ISSUE)



NOTES:

- SEE DRAWING M20-877XXXXP FOR PICK AND PLACE TUBE OPTION, M20-877XXXX FOR LOOSE OPTION.
- FOR 4 WAYS AND LESS, CAP LENGTH = 6.00mm.
- FOR REELING DETAILS SEE SHEET 4.
- ALL TOLERANCES ARE ± 0.15 mm UNLESS OTHERWISE STATED.

MGP	21	25.11.21	31219
NAME	ISS.	DATE	CN/CO
APPROVED: MGP			
CHECKED: MR			
DRAWN: J. KEIR			
CUSTOMER REF.:			
ASSEMBLY DRG:			

HARWIN

www.harwin.com
technical@harwin.com

THIS DRAWING AND ANY INFORMATION OR DESCRIPTIVE MATTER SET OUT HEREON ARE CONFIDENTIAL AND COPYRIGHT PROPERTY OF THE HARWIN GROUP AND MUST NOT BE DISCLOSED, LOANED, COPIED OR USED FOR MANUFACTURING, TENDERING OR FOR ANY OTHER PURPOSE WITHOUT THEIR WRITTEN PERMISSION.

TOLERANCES
X = ± 1 mm
X.X = ± 0.50 mm
X.XX = ± 0.20 mm
X.XXX = ± 0.01 mm
ANGLES = $\pm 5^\circ$
UNLESS STATED

MATERIAL:
SEE TABLE

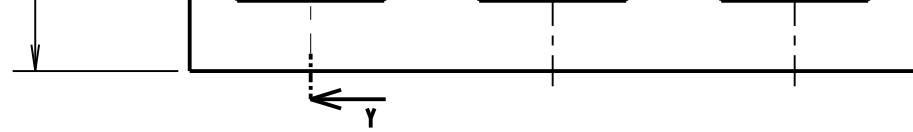
FINISH: SEE TABLE

S/AREA: mm²

TITLE: 2.54mm PITCH SIL SMT VERTICAL PIN HEADER WITH P/PLACE, TAPE & REEL (L/HAND)

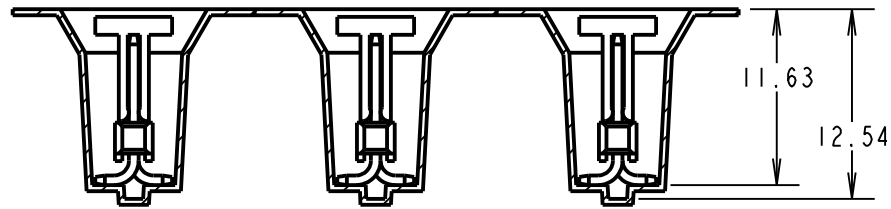
DRAWING NUMBER: M20-877XXXXR

SHT 3 OF 4

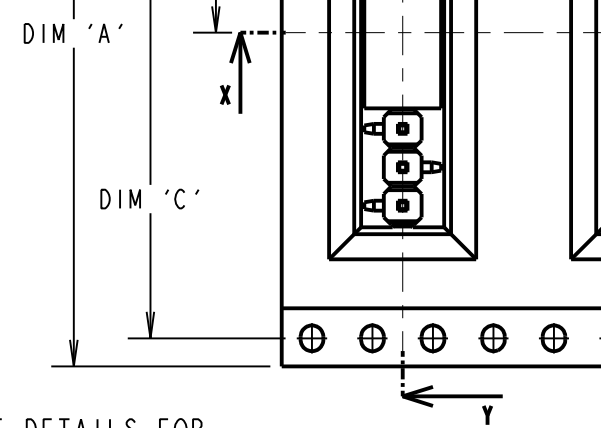


SECTION Y-Y

SECTION X-X

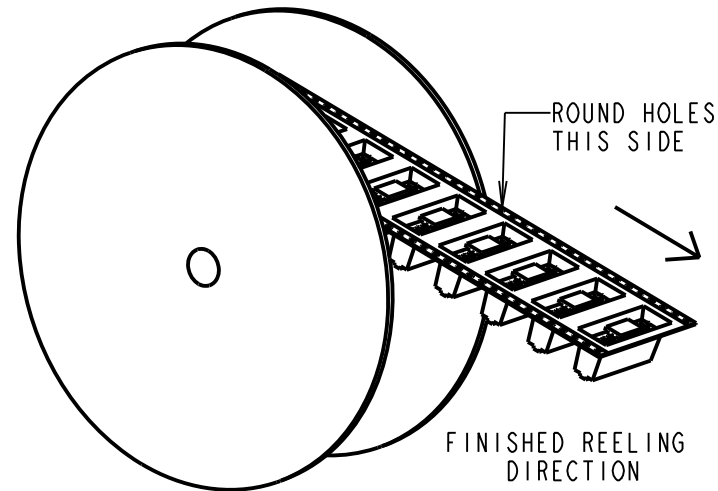
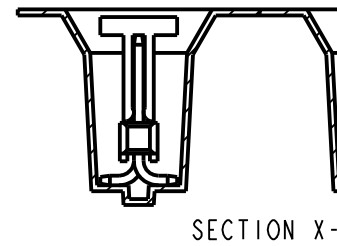
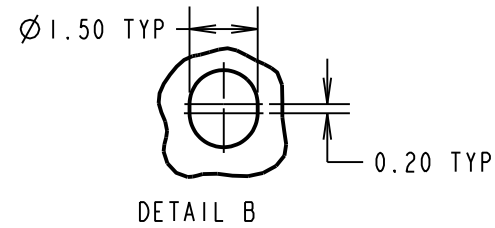
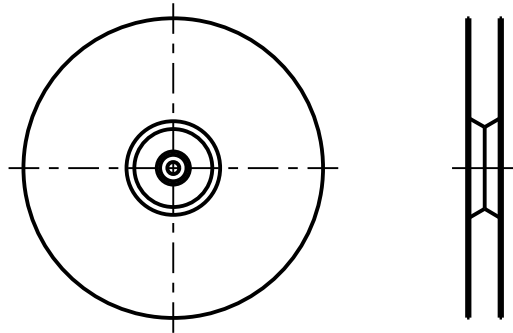


TAPE DETAILS FOR 02 & 03 CONTACTS



TAPE DETAILS FOR 04, 05, 06, 08, 10, 15, 16 & 19 CONTACTS

REEL DETAILS



HARWIN PART No.	DIM 'A'	DIM 'B'	DIM 'C'	DIM 'D'
M20-87702XXR	24.00±0.30	5.28	-	11.50
M20-87703XXR		7.80	-	11.50
M20-87704XXR	32.00±0.30	10.50	28.40	14.20
M20-87705XXR		13.10		
M20-87706XXR		15.60		
M20-87708XXR	44.00±0.30	20.60	40.40	20.20±0.15
M20-87710XXR		25.80		
M20-87715XXR	56.00±0.30	38.33	52.40	26.20±0.15
M20-87716XXR	72.00±0.30	40.90	68.40	34.20±0.30
M20-87719XXR		48.24		

- NOTES:
 1. QUANTITY PER P...
 2. FOR CONNECTOR...
 3. TAPE AND REEL...
 WITH ELECTRON...

HARWIN

www.harwin.com
 technical@harwin.com

THIS DRAWING AND ANY INFORMATION OR DESCRIPTIVE MATTER SET OUT HEREON ARE CONFIDENTIAL AND COPYRIGHT PROPERTY OF THE HARWIN GROUP AND MUST NOT BE DISCLOSED, LOANED, COPIED OR USED FOR MANUFACTURING, TENDERING OR FOR ANY OTHER PURPOSE WITHOUT THEIR WRITTEN PERMISSION.

TOLERANCES
 X. = ±1mm
 X.X = ±0.50mm
 X.XX = ±0.20mm
 X.XXX = ±0.01mm
 ANGLES = ±5°
 UNLESS STATED

MATER...
 FINIS...
 S/ARE...

X-ON Electronics

Largest Supplier of Electrical and Electronic Components

Click to view similar products for [Headers & Wire Housings](#) category:

Click to view products by [Harwin](#) manufacturer:

Other Similar products are found below :

[892-18-020-10-001101](#) [58102-G61-06LF](#) [582553-1](#) [0009485154](#) [009176003701906](#) [0050291907](#) [LY20-4P-DT1-P1E-BR](#) [02.125.8002.8](#)
[609-3404](#) [61062-3](#) [622-0430](#) [622-3653LF](#) [63453-116](#) [636-1030](#) [636-1427](#) [636-3427](#) [636-4007](#) [641938-9](#) [641991-4](#) [644827-2](#) [65817-010LF](#)
[65817-015LF](#) [65863-015LF](#) [66207-023LF](#) [67095-007LF](#) [67601157](#) [68648-049](#) [70.362.1628.0](#) [70-4210](#) [70-4226B](#) [70-4853B](#) [707-5020](#) [707-](#)
[5028](#) [71.350.2428.0](#) [71918-208LF](#) [71961-016LF](#) [733-134](#) [733-162](#) [754199-000](#) [760-3052](#) [787-8014-00](#) [79531-3000](#) [FCN-360C032-B](#) [FCN-](#)
[367T-T012/H](#) [FCN-723D010/2](#) [80.063.4001.1](#) [800-90-001-10-001000](#) [800-90-010-10-002000](#) [801-43-002-10-013000](#) [801-43-006-10-002000](#)