

# Customer Information Sheet

DRAWING No.: M20-890X05R

SHEET 2 OF 2

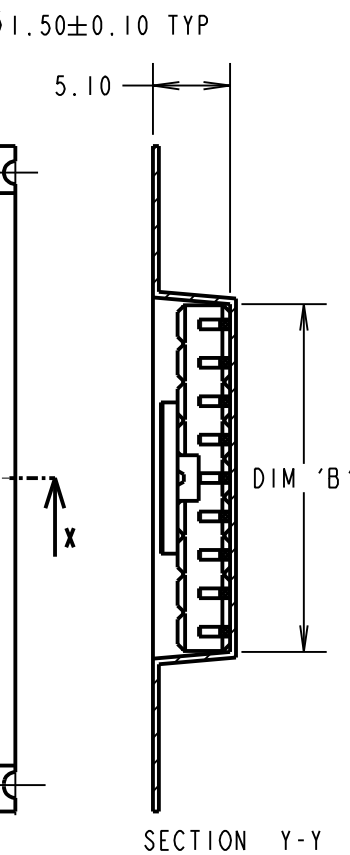
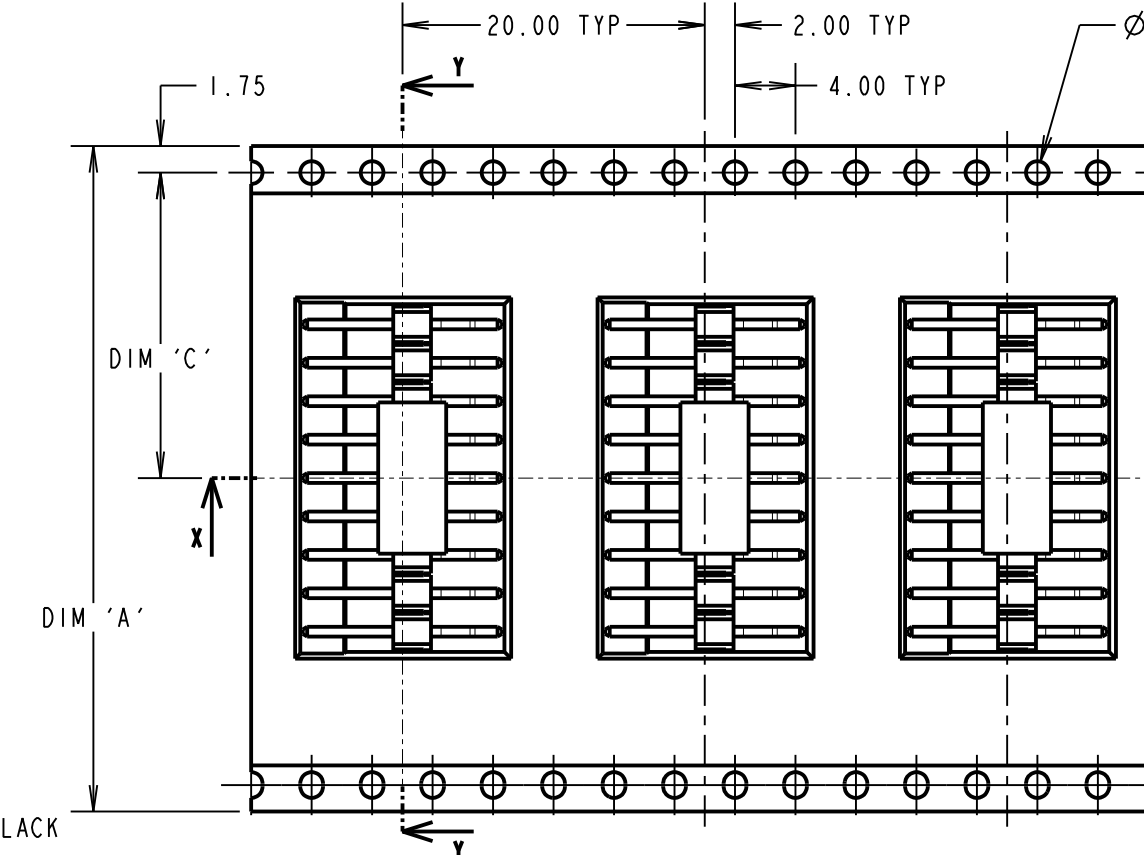
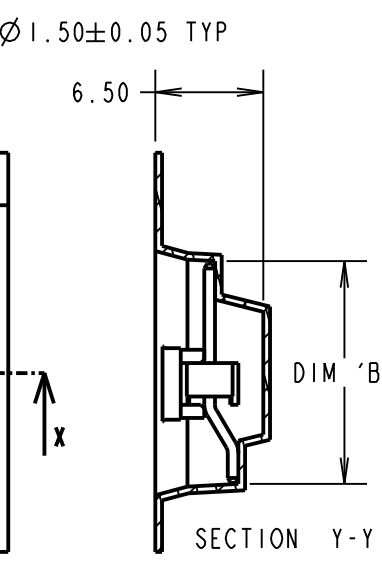
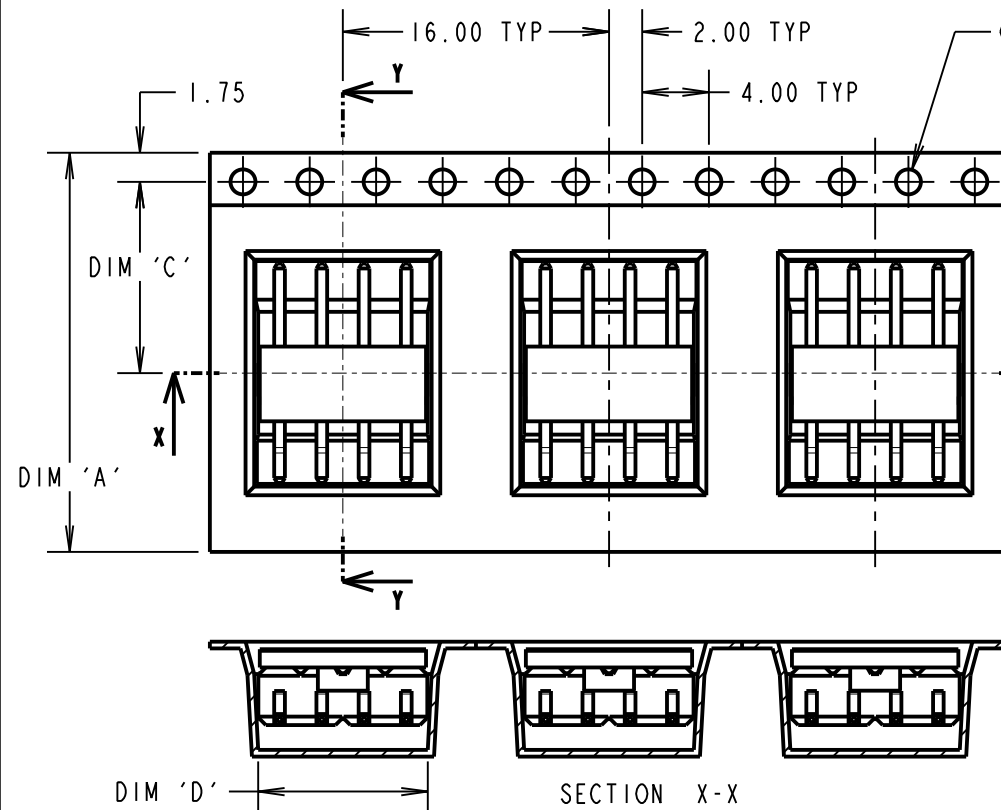
IF IN DOUBT - ASK

©

NOT TO SCALE

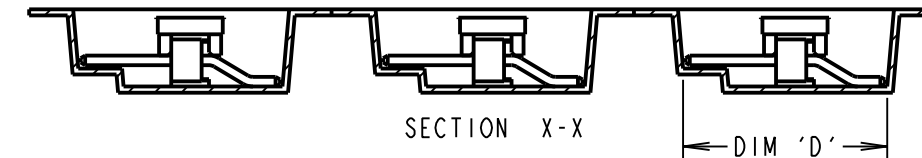
THIRD ANGLE PROJECTION

ALL DIMENSIONS IN mm



**TAPE DETAILS FOR:  
04 WAY**

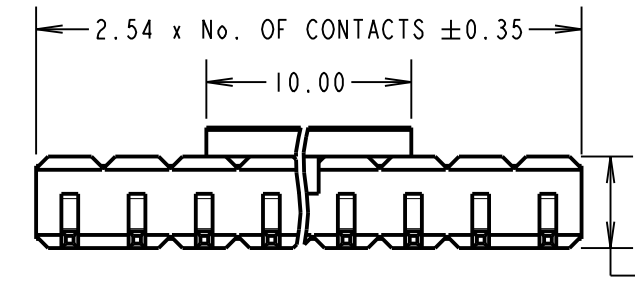
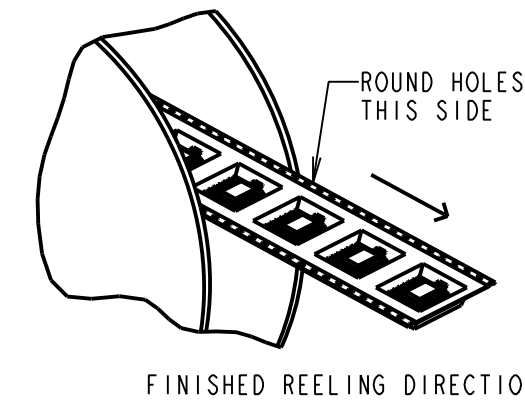
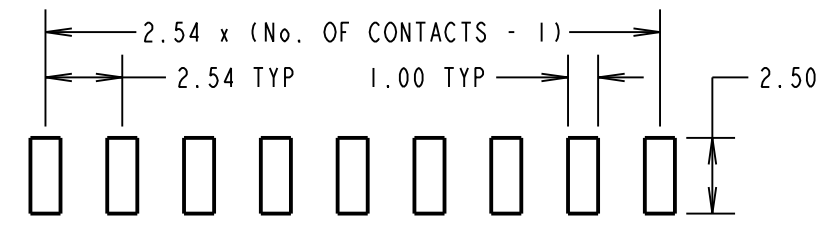
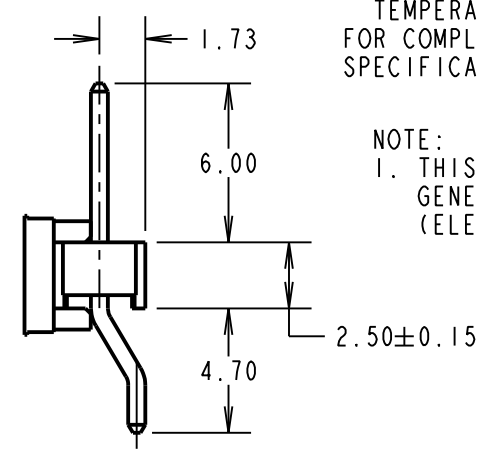
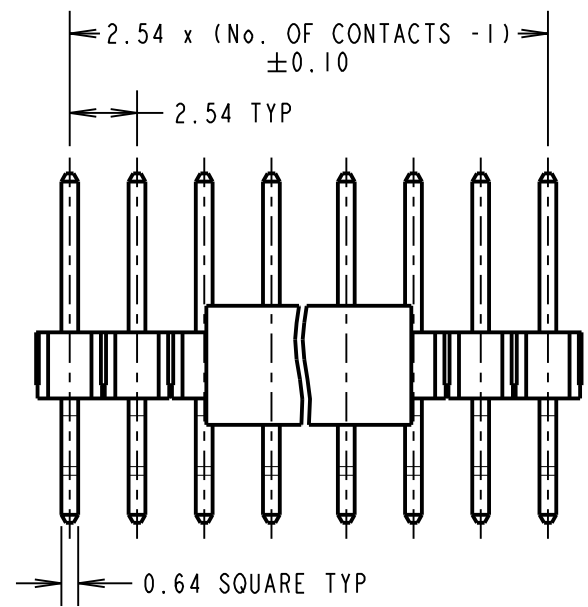
**SPECIFICATION:**  
**MATERIAL:**  
 MOULDING = NYLON 6T UL94V-0, BLACK  
 CONTACT = BRASS  
**FINISH:**  
 CONTACT = GOLD FLASH OVER NICKEL  
**ELECTRICAL:**  
 CURRENT RATING = 3.0A  
 CONTACT RESISTANCE = 20mΩ MAX  
 INSULATION RESISTANCE = 5000MΩ MIN  
 DIELECTRIC STRENGTH = 500V AC FOR ONE MIN  
**ENVIRONMENTAL:**  
 TEMPERATURE RANGE = -40°C TO +105°C  
 FOR COMPLETE SPECIFICATION, SEE COMPONENT SPECIFICATION C001XX (LATEST ISSUE).



**TAPE DETAILS FOR:  
05, 06, 09 & 20 WAY**

**NOTE:**  
 1. THIS PRODUCT IS TAPE AND REELED IN GENERAL ACCORDANCE WITH EIA-481 (ELECTRONIC INDUSTRIES ASSOCIATION).

PART No.	DIM 'A'	DIM 'B'	DIM 'C'	DIM 'D'	DIM 'E'	QUANTITY PER REEL
M20-8900405R	24.0±0.3	13.40±0.30	11.50	10.20±0.30	N/A	600
M20-8900505R		13.15±0.20		13.90±0.20		
M20-8900605R	32.0±0.3	15.54±0.30	14.20	13.50±0.30	28.40	500
M20-8900905R	44.0±0.3	23.00±0.30	20.20		40.40	500
M20-8902005R	72.0±0.3	51.20±0.30	34.20	13.80±0.30	68.40	600



CONNECTOR DETAILS  
 TOLERANCE = ±0.25  
 UNLESS STATED

**HARWIN**  
 www.harwin.com  
 technical@harwin.com

THIS DRAWING AND ANY INFORMATION OR DESCRIPTIVE MATTER SET OUT HEREON ARE CONFIDENTIAL AND COPYRIGHT PROPERTY OF THE HARWIN GROUP AND MUST NOT BE DISCLOSED, LOANED, COPIED OR USED FOR MANUFACTURING, TENDERING OR FOR ANY OTHER PURPOSE WITHOUT THEIR WRITTEN PERMISSION.

**TOLERANCES**  
 X. = ±1mm  
 X.X = ±0.50mm  
 X.XX = ±0.10mm  
 X.XXX = ±0.01mm  
 ANGLES = ±5°  
 UNLESS STATED

**MATERIAL:**  
 SEE ABOVE  
**FINISH:** SEE ABOVE  
**S/AREA:** mm<sup>2</sup>

**TITLE:**  
 SIL HORIZONTAL SMT  
 HEADER IN TAPE AND REEL  
**DRAWING NUMBER:**  
 M20-890X05R  
 SHT 2 OF 2

FM	5	22.06.18	21364
NAME	ISS.	DATE	C/NOTE
APPROVED: F.MCGOWAN			
CHECKED: S.BENNETT			
DRAWN: S.BENNETT			
CUSTOMER REF.:			
ASSEMBLY DRG:			

## X-ON Electronics

Largest Supplier of Electrical and Electronic Components

*Click to view similar products for [Headers & Wire Housings](#) category:*

*Click to view products by [Harwin](#) manufacturer:*

Other Similar products are found below :

[892-18-020-10-001101](#) [58102-G61-06LF](#) [582553-1](#) [0009485154](#) [009176003701906](#) [0050291907](#) [LY20-4P-DT1-P1E-BR](#) [02.125.8002.8](#)  
[609-3404](#) [61062-3](#) [622-0430](#) [622-3653LF](#) [63453-116](#) [636-1030](#) [636-1427](#) [636-3427](#) [636-4007](#) [641938-9](#) [641991-4](#) [644827-2](#) [65817-010LF](#)  
[65817-015LF](#) [65863-015LF](#) [66207-023LF](#) [67095-007LF](#) [67601157](#) [68648-049](#) [70.362.1628.0](#) [70-4210](#) [70-4226B](#) [70-4853B](#) [707-5020](#) [707-](#)  
[5028](#) [71.350.2428.0](#) [71918-208LF](#) [71961-016LF](#) [733-134](#) [733-162](#) [754199-000](#) [760-3052](#) [787-8014-00](#) [79531-3000](#) [FCN-360C032-B](#) [FCN-](#)  
[367T-T012/H](#) [FCN-723D010/2](#) [80.063.4001.1](#) [800-90-001-10-001000](#) [800-90-010-10-002000](#) [801-43-002-10-013000](#) [801-43-006-10-002000](#)