

Customer Information Sheet

DRAWING No.: M20-975XXX

IF IN DOUBT - ASK

©

NOT TO SCALE

THIRD ANGLE PROJECTION

ALL DIMENSIONS IN mm

NOTES:

1. RECOMMENDED PCB MOUNTING HOLE SIZE = $\varnothing 1.02 \pm 0.05 \text{mm}$.
2. ALL TOLERANCES ARE $\pm 0.25 \text{mm}$ UNLESS OTHERWISE STATED.
3. FOR COMPLETE SPECIFICATION, SEE COMPONENT SPECIFICATION C001XX (LATEST ISSUE).

SPECIFICATION:

MATERIAL:

MOULDING = PA6T UL94V-0, BLACK

PINS = BRASS

FINISH:

PINS (OVER NICKEL):

42 = GOLD ON CONTACT AREA,

100% TIN ON TAILS

46 = 100% TIN OVER NICKEL

ELECTRICAL:

CURRENT RATING = 3A MAX

CONTACT RESISTANCE = $20 \text{m}\Omega$ MAX

INSULATION RESISTANCE = $1,000 \text{M}\Omega$ MIN

DIELECTRIC STRENGTH = 500V AC

MECHANICAL:

DURABILITY = 300 OPERATIONS (GOLD),

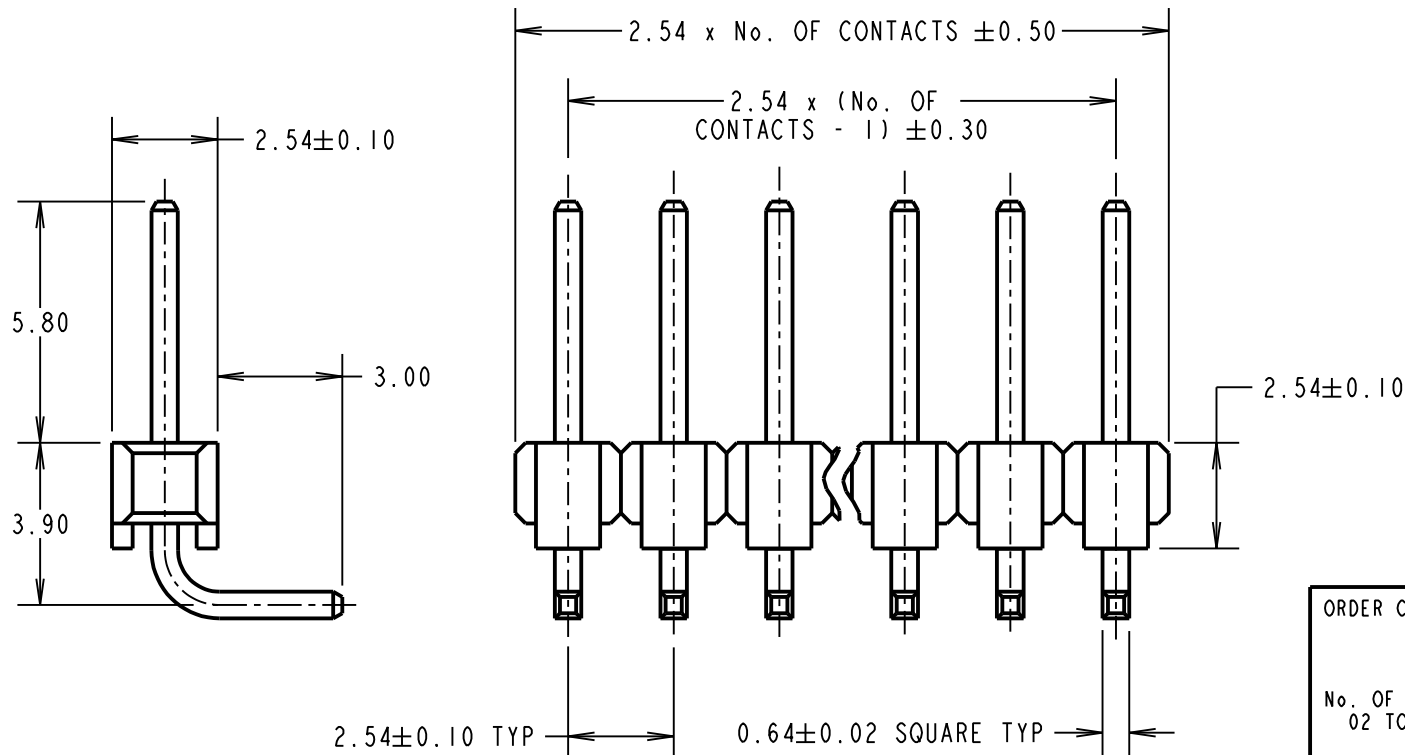
50 OPERATIONS (TIN)

ENVIRONMENTAL:

TEMPERATURE RANGE = -40°C TO $+105^\circ\text{C}$

PACKING:

BAG



ORDER CODE:
M20-975XXX
 No. OF CONTACTS: _____
 02 TO 20, 25, 36, 40
 FINISH: _____
 42 = SELECTIVE GOLD + 100% TIN
 46 = 100% TIN

MGP	15	14.12.18	21677
NAME	ISS.	DATE	C/NOTE
APPROVED: MGP			
CHECKED: SB			
DRAWN: J. CLAY			
CUSTOMER REF.:			
ASSEMBLY DRG:			

HARWIN

www.harwin.com
 technical@harwin.com

THIS DRAWING AND ANY INFORMATION OR DESCRIPTIVE MATTER SET OUT HEREON ARE CONFIDENTIAL AND COPYRIGHT PROPERTY OF THE HARWIN GROUP AND MUST NOT BE DISCLOSED, LOANED, COPIED OR USED FOR MANUFACTURING, TENDERING OR FOR ANY OTHER PURPOSE WITHOUT THEIR WRITTEN PERMISSION.

TOLERANCES
~~X = ± 1mm~~
~~X.X = ± 0.50mm~~
~~X.XX = ± 0.10mm~~
~~X.XXX = ± 0.01mm~~
 ANGLES = ± 5°
 UNLESS STATED

MATERIAL:
 SEE ABOVE
FINISH: SEE ABOVE
S/AREA: mm²

TITLE: 2.54mm PITCH SIL
 HORIZONTAL PC TAIL
 PIN HEADER ASSEMBLY
DRAWING NUMBER:
M20-975XXX
 SHT 2 OF 2

X-ON Electronics

Largest Supplier of Electrical and Electronic Components

Click to view similar products for [Headers & Wire Housings](#) category:

Click to view products by [Harwin](#) manufacturer:

Other Similar products are found below :

[892-18-020-10-001101](#) [58102-G61-06LF](#) [582553-1](#) [0009485154](#) [009176003701906](#) [0050291907](#) [LY20-4P-DT1-P1E-BR](#) [02.125.8002.8](#)
[609-3404](#) [61062-3](#) [622-0430](#) [622-3653LF](#) [63453-116](#) [636-1030](#) [636-1427](#) [636-3427](#) [636-4007](#) [641938-9](#) [641991-4](#) [644827-2](#) [65817-010LF](#)
[65817-015LF](#) [65863-015LF](#) [66207-023LF](#) [67095-007LF](#) [67601157](#) [68648-049](#) [70.362.1628.0](#) [70-4210](#) [70-4226B](#) [70-4853B](#) [707-5020](#) [707-](#)
[5028](#) [71.350.2428.0](#) [71918-208LF](#) [71961-016LF](#) [733-134](#) [733-162](#) [754199-000](#) [760-3052](#) [787-8014-00](#) [79531-3000](#) [FCN-360C032-B](#) [FCN-](#)
[367T-T012/H](#) [FCN-723D010/2](#) [80.063.4001.1](#) [800-90-001-10-001000](#) [800-90-010-10-002000](#) [801-43-002-10-013000](#) [801-43-006-10-002000](#)