

# Customer Information Sheet

DRAWING No.: M20-998XXXX

SHEET 2 OF 2

IF IN DOUBT - ASK

©

NOT TO SCALE

THIRD ANGLE PROJECTION

ALL DIMENSIONS IN mm

**NOTES:**

1. RECOMMENDED PCB MOUNTING HOLE SIZE =  $\varnothing 1.00\text{mm}$ .
2. ALL TOLERANCES ARE  $\pm 0.25\text{mm}$  UNLESS OTHERWISE STATED.
3. FOR COMPLETE SPECIFICATION, SEE COMPONENT SPECIFICATION C001XX (LATEST ISSUE).

**SPECIFICATION:**

**MATERIAL:**

MOULDING = HIGH TEMP NYLON 6T UL94V-0, BLACK

PINS = BRASS

**FINISH:**

PINS:

45 = GOLD

46 = 100% TIN OVER NICKEL

**ELECTRICAL:**

CURRENT RATING = 3A MAX

CONTACT RESISTANCE = 25 m $\Omega$  MAX (GOLD), 30 m $\Omega$  MAX (TIN)

INSULATION RESISTANCE = 1,000 M $\Omega$  MIN

DIELECTRIC STRENGTH = 750V AC/DC

**MECHANICAL:**

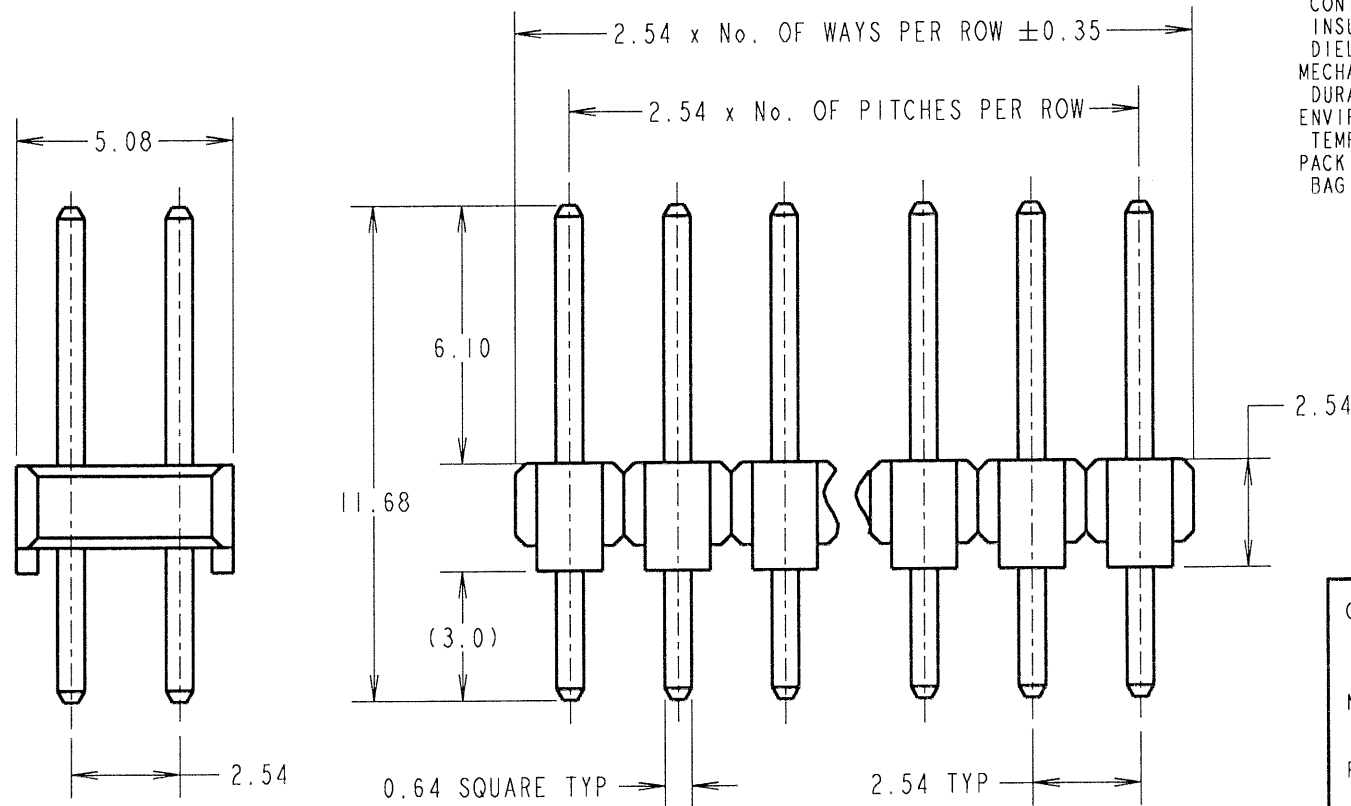
DURABILITY = 300 OPERATIONS (GOLD), 50 OPERATIONS (TIN)

**ENVIRONMENTAL:**

TEMPERATURE RANGE = -40°C TO +105°C

**PACKING:**

BAG



ORDER CODE:  
**M20-998XXXX**

No. OF WAYS \_\_\_\_\_  
02 TO 40

FINISH:  
45 = GOLD  
46 = 100% TIN

JMB	22	05.12.06	9602
NAME	ISS.	DATE	C/NOTE
APPROVED: <i>[Signature]</i>			
CHECKED: <i>[Signature]</i>			
DRAWN: P. ALEXANDER			
CUSTOMER REF.:			
ASSEMBLY DRG:			

**HARWIN**

HARWIN INC  
U.S.A.  
TEL: (812) 542 2540  
FAX: (812) 542 2541

HARWIN PLC  
U.K.  
TEL: 023 9231 4545  
FAX: 023 9231 4590

HARWIN PTE  
SINGAPORE  
TEL: 65 6779 4909  
FAX: 65 6779 3868

THIS DRAWING AND ANY INFORMATION OR DESCRIPTIVE MATTER SET OUT HEREON ARE CONFIDENTIAL AND COPYRIGHT PROPERTY OF THE HARWIN GROUP AND MUST NOT BE DISCLOSED, LOANED, COPIED OR USED FOR MANUFACTURING, TENDERING OR FOR ANY OTHER PURPOSE WITHOUT THEIR WRITTEN PERMISSION.

**TOLERANCES**

~~X =  $\pm 1\text{mm}$~~   
~~X.X =  $\pm 0.25\text{mm}$~~   
~~X.XX =  $\pm 0.10\text{mm}$~~   
~~X.XXX =  $\pm 0.05\text{mm}$~~

ANGLES =  $\pm 5^\circ$   
UNLESS STATED

**MATERIAL:**  
SEE ABOVE

**FINISH:**  
SEE ABOVE

**S/AREA:**  
mm<sup>2</sup>

**TITLE:**  
2.54mm PITCH DIL  
VERTICAL PC TAIL PIN HEADER

**DRAWING NUMBER:**  
**M20-998XXXX**

SHT  
2 OF 2

## X-ON Electronics

Largest Supplier of Electrical and Electronic Components

*Click to view similar products for [Headers & Wire Housings](#) category:*

*Click to view products by [Harwin](#) manufacturer:*

Other Similar products are found below :

[892-18-020-10-001101](#) [58102-G61-06LF](#) [582553-1](#) [0009485154](#) [009176003701906](#) [0050291907](#) [LY20-4P-DT1-P1E-BR](#) [02.125.8002.8](#)  
[609-3404](#) [61062-3](#) [622-0430](#) [622-3653LF](#) [63453-116](#) [636-1030](#) [636-1427](#) [636-3427](#) [636-4007](#) [641938-9](#) [641991-4](#) [644827-2](#) [65817-010LF](#)  
[65817-015LF](#) [65863-015LF](#) [66207-023LF](#) [67095-007LF](#) [67601157](#) [68648-049](#) [70.362.1628.0](#) [70-4210](#) [70-4226B](#) [70-4853B](#) [707-5020](#) [707-](#)  
[5028](#) [71.350.2428.0](#) [71918-208LF](#) [71961-016LF](#) [733-134](#) [733-162](#) [754199-000](#) [760-3052](#) [787-8014-00](#) [79531-3000](#) [FCN-360C032-B](#) [FCN-](#)  
[367T-T012/H](#) [FCN-723D010/2](#) [80.063.4001.1](#) [800-90-001-10-001000](#) [800-90-010-10-002000](#) [801-43-002-10-013000](#) [801-43-006-10-002000](#)