

Customer Information Sheet

DRAWING No.: M22-19X00XX

SHEET 2 OF 2

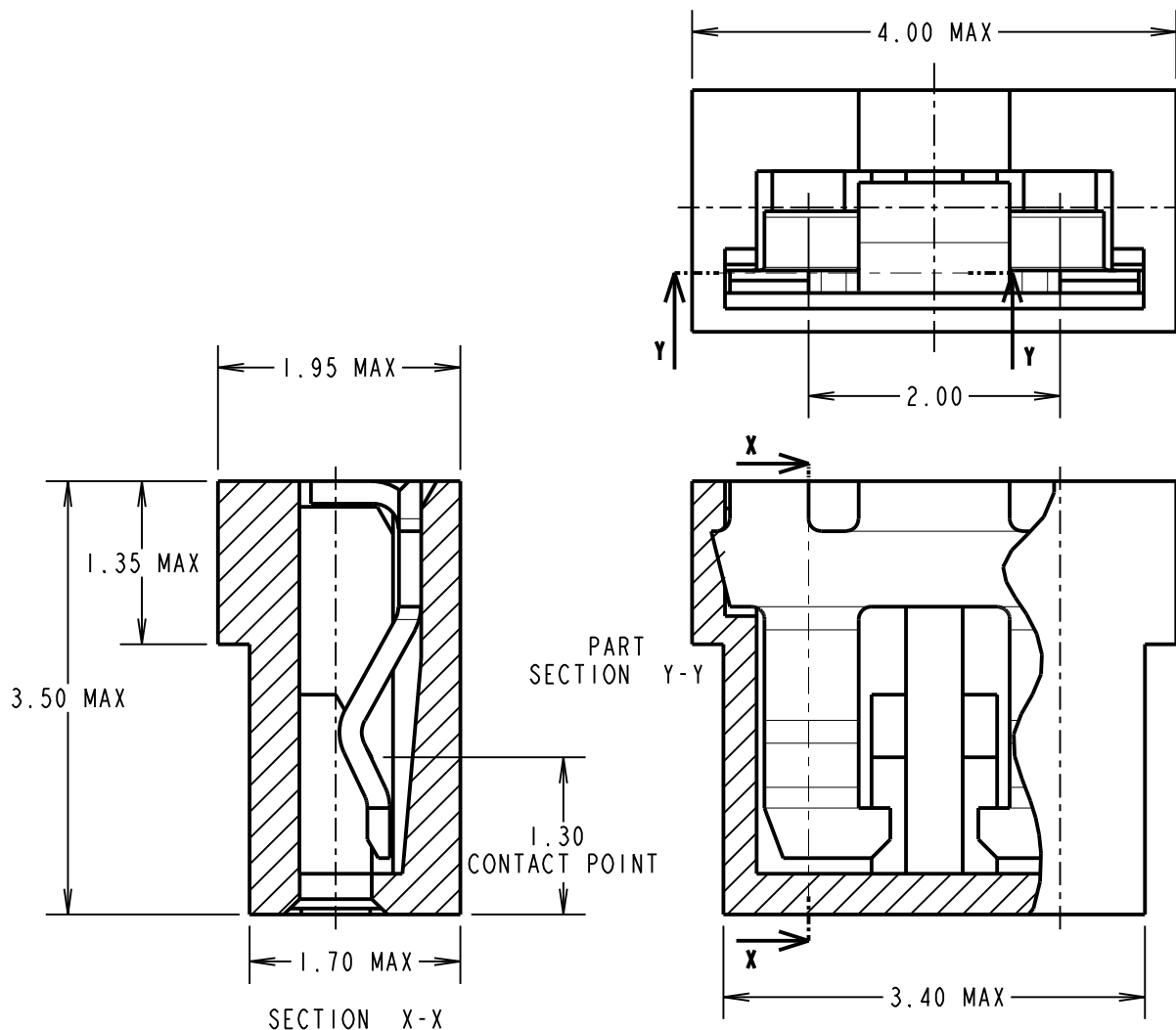
IF IN DOUBT - ASK

(C)

NOT TO SCALE

THIRD ANGLE PROJECTION

ALL DIMENSIONS IN mm



SPECIFICATIONS:

MATERIALS:

MOULDING = GLASS FILLED POLYESTER UL94V-0
CONTACT = BERYLLIUM COPPER

FINISH:

CONTACT:

05 = 0.13µ GOLD ON CONTACT FACE OVER NICKEL
46 = 3µ 100% TIN OVER NICKEL

MOULDING COLOUR = SEE ORDER CODE

ELECTRICAL:

CURRENT RATING AT 25°C = 2A MAX
WORKING VOLTAGE = 250V AC/DC
VOLTAGE PROOF = 500V AC/DC @ 50Hz
CONTACT RESISTANCE (MAXIMUM):

TIN/LEAD = 20mΩ INITIAL
25mΩ AFTER CONDITIONING
GOLD = 15mΩ INITIAL
20mΩ AFTER CONDITIONING

INSULATION RESISTANCE (MINIMUM):

INITIAL = 1000MΩ
AFTER CONDITIONING = 1000MΩ

ENVIRONMENTAL:

TEMPERATURE RANGE = -40°C TO +85°C

MECHANICAL:

DURABILITY:

TIN/LEAD = 50 OPERATIONS
GOLD = 300 OPERATIONS
INSERTION FORCE = 10N MAX
WITHDRAWAL FORCE = 1N MIN

FOR COMPLETE SPECIFICATION, SEE COMPONENT SPECIFICATION CO13XX (LATEST ISSUE)

ORDER CODE:

M22-19X00XX

MOULDING COLOUR

- 0 = BLACK
- 1 = BLUE
- 2 = RED
- 3 = LIGHT GREY

CONTACT FINISH

- 05 = GOLD
- 46 = 100% TIN

MSP	6	09.12.14	12158
-----	---	----------	-------

NAME	ISS.	DATE	C/NOTE
------	------	------	--------

APPROVED: M.PERREN

CHECKED: S.BENNETT

DRAWN: W.J.BOURNE

CUSTOMER REF.:

ASSEMBLY DRG:

HARWIN

www.harwin.com
technical@harwin.com

THIS DRAWING AND ANY INFORMATION OR DESCRIPTIVE MATTER SET OUT HEREON ARE CONFIDENTIAL AND COPYRIGHT PROPERTY OF THE HARWIN GROUP AND MUST NOT BE DISCLOSED, LOANED, COPIED OR USED FOR MANUFACTURING, TENDERING OR FOR ANY OTHER PURPOSE WITHOUT THEIR WRITTEN PERMISSION.

TOLERANCES

X. = ±1mm
X.X = ±0.25mm
X.XX = ±0.10mm
X.XXX = ±0.01mm

ANGLES = ±5°
UNLESS STATED

MATERIAL:

SEE ABOVE

FINISH:

SEE ABOVE

S/AREA:

mm²

TITLE:

2mm PITCH JUMPER SOCKET ASSEMBLY (OPEN TOP)

DRAWING NUMBER:

M22-19X00XX

SHT
2 OF 2

X-ON Electronics

Largest Supplier of Electrical and Electronic Components

Click to view similar products for [Headers & Wire Housings](#) category:

Click to view products by [Harwin](#) manufacturer:

Other Similar products are found below :

[892-18-020-10-001101](#) [58102-G61-06LF](#) [582553-1](#) [0009485154](#) [009176003701906](#) [0050291907](#) [LY20-4P-DT1-P1E-BR](#) [02.125.8002.8](#)
[609-3404](#) [61062-3](#) [622-0430](#) [622-3653LF](#) [63453-116](#) [636-1030](#) [636-1427](#) [636-3427](#) [636-4007](#) [641938-9](#) [641991-4](#) [644827-2](#) [65817-010LF](#)
[65817-015LF](#) [65863-015LF](#) [66207-023LF](#) [67095-007LF](#) [67601157](#) [68648-049](#) [70.362.1628.0](#) [70-4210](#) [70-4226B](#) [70-4853B](#) [707-5020](#) [707-](#)
[5028](#) [71.350.2428.0](#) [71918-208LF](#) [71961-016LF](#) [733-134](#) [733-162](#) [754199-000](#) [760-3052](#) [787-8014-00](#) [79531-3000](#) [FCN-360C032-B](#) [FCN-](#)
[367T-T012/H](#) [FCN-723D010/2](#) [80.063.4001.1](#) [800-90-001-10-001000](#) [800-90-010-10-002000](#) [801-43-002-10-013000](#) [801-43-006-10-002000](#)