

Customer Information Sheet

DRAWING No.: M22-3080046

SHEET 2 OF 2

IF IN DOUBT - ASK

(C)

NOT TO SCALE

THIRD ANGLE PROJECTION

ALL DIMENSIONS IN mm

SPECIFICATIONS:

MATERIAL = PHOSPHOR BRONZE

FINISH = 2.5µ 100% TIN OVER NICKEL

ELECTRICAL:

VOLTAGE RATING = 250V AC/DC

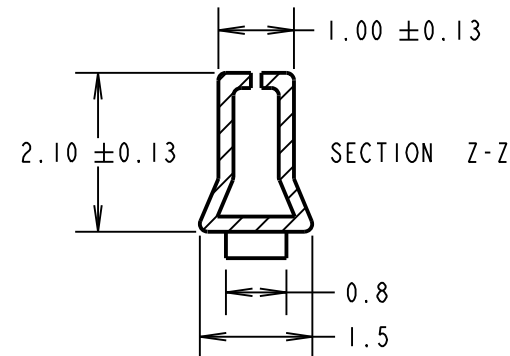
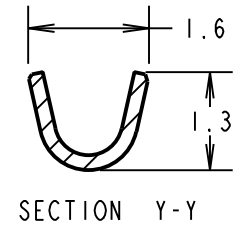
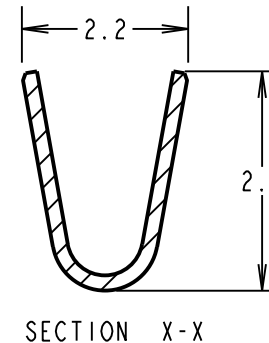
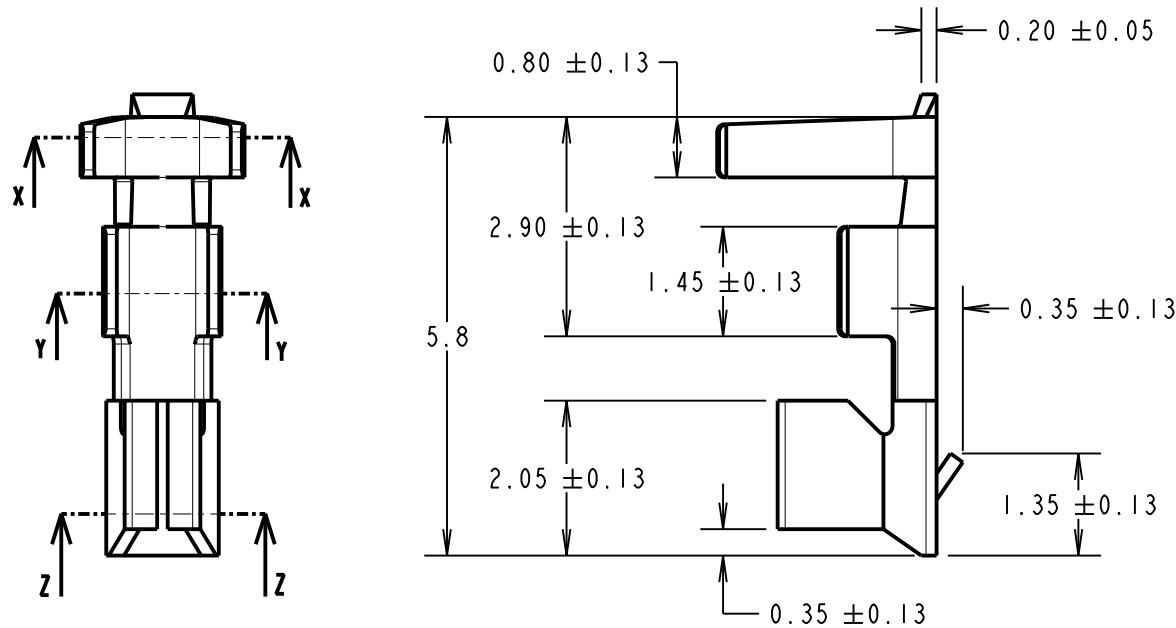
CURRENT RATING = 2A AC/DC

DIELECTRIC STRENGTH = 800V AC FOR 1 MINUTE

INSULATION RESISTANCE = 1,000 MEGOHMS MIN

ENVIRONMENTAL:

TEMPERATURE RANGE = -25°C TO +85°C



NOTES:

- TO BE USED WITH CRIMP MOULDING M22-307XX00, SPECIFICATION SHOWN BELOW APPLY WHEN ASSEMBLED IN THIS MOULDING.
- CONTACTS SUPPLIED LOOSE IN QUANTITIES OF 100
- ACCEPTS WIRE RANGE 24-30 AWG.
- DIAMETER OF WIRE INSULATION = \varnothing 1.4mm MAX.
- FOR HAND CRIMPING ONTO WIRE, USE HAND TOOL Z22-020 (INSTRUCTION SHEET IS-05). STRIP WIRE BY 1.5 - 2.0mm BEFORE CRIMPING.
- RECOMMENDED CONDUCTOR CRIMP HEIGHTS:
FOR 28 - 30AWG = 0.62 ± 0.03mm
FOR 24 - 26AWG = 0.70 ± 0.03mm

SB	11	15.06.12	11756
NAME	ISS.	DATE	C/NOTE
APPROVED:		S.BENNETT	
CHECKED:		M.PLESTED	
DRAWN:		D.BECK	
CUSTOMER REF.:			
ASSEMBLY DRG:			

HARWIN

www.harwin.com
technical@harwin.com

THIS DRAWING AND ANY INFORMATION OR DESCRIPTIVE MATTER SET OUT HEREON ARE CONFIDENTIAL AND COPYRIGHT PROPERTY OF THE HARWIN GROUP AND MUST NOT BE DISCLOSED, LOANED, COPIED OR USED FOR MANUFACTURING, TENDERING OR FOR ANY OTHER PURPOSE WITHOUT THEIR WRITTEN PERMISSION.

TOLERANCES
X. = ±1mm
X.X = ±0.25mm
X.XX = ±0.10mm
X.XXX = ±0.01mm
ANGLES = ±5°
UNLESS STATED

MATERIAL:
SEE ABOVE
FINISH: SEE ABOVE
S/AREA: mm²

TITLE:
2mm CRIMP TERMINAL (LOOSE)
DRAWING NUMBER:
M22-3080046
SHT
2 OF 2

X-ON Electronics

Largest Supplier of Electrical and Electronic Components

Click to view similar products for [Headers & Wire Housings](#) category:

Click to view products by [Harwin](#) manufacturer:

Other Similar products are found below :

[892-18-020-10-001101](#) [58102-G61-06LF](#) [582553-1](#) [0009485154](#) [009176003701906](#) [0050291907](#) [LY20-4P-DT1-P1E-BR](#) [02.125.8002.8](#)
[609-3404](#) [61062-3](#) [622-0430](#) [622-3653LF](#) [63453-116](#) [636-1030](#) [636-1427](#) [636-3427](#) [636-4007](#) [641938-9](#) [641991-4](#) [644827-2](#) [65817-010LF](#)
[65817-015LF](#) [65863-015LF](#) [66207-023LF](#) [67095-007LF](#) [67601157](#) [68648-049](#) [70.362.1628.0](#) [70-4210](#) [70-4226B](#) [70-4853B](#) [707-5020](#) [707-](#)
[5028](#) [71.350.2428.0](#) [71918-208LF](#) [71961-016LF](#) [733-134](#) [733-162](#) [754199-000](#) [760-3052](#) [787-8014-00](#) [79531-3000](#) [FCN-360C032-B](#) [FCN-](#)
[367T-T012/H](#) [FCN-723D010/2](#) [80.063.4001.1](#) [800-90-001-10-001000](#) [800-90-010-10-002000](#) [801-43-002-10-013000](#) [801-43-006-10-002000](#)