

Customer Information Sheet

DRAWING No.: M22-532XXXXR

SHEET 3 OF 4

IF IN DOUBT - ASK

(C)

NOT TO SCALE

THIRD ANGLE PROJECTION

ALL DIMENSIONS IN mm

SPECIFICATIONS:

MATERIAL:
 MOULDING, PICK & PLACE CAP = NYLON 6T, UL94V-0, BLACK
 CONTACTS = PHOSPHOR BRONZE

FINISH:
 05 = GOLD
 46 = 100% TIN, OVER NICKEL

ELECTRICAL:
 CURRENT RATING = 1A
 CONTACT RESISTANCE = 20mΩ MAX (GOLD), 30mΩ MAX (TIN)
 INSULATION RESISTANCE = 100MΩ MIN

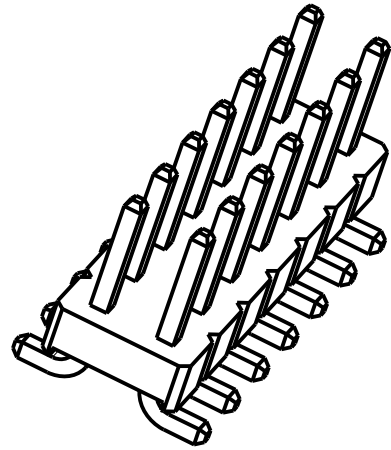
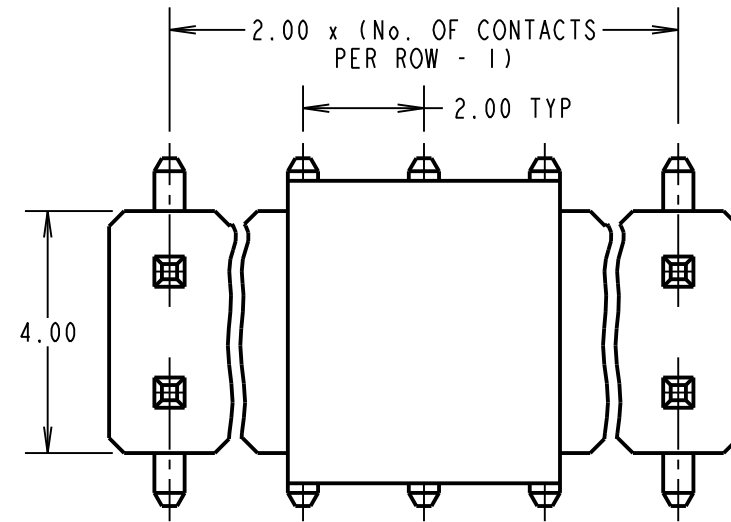
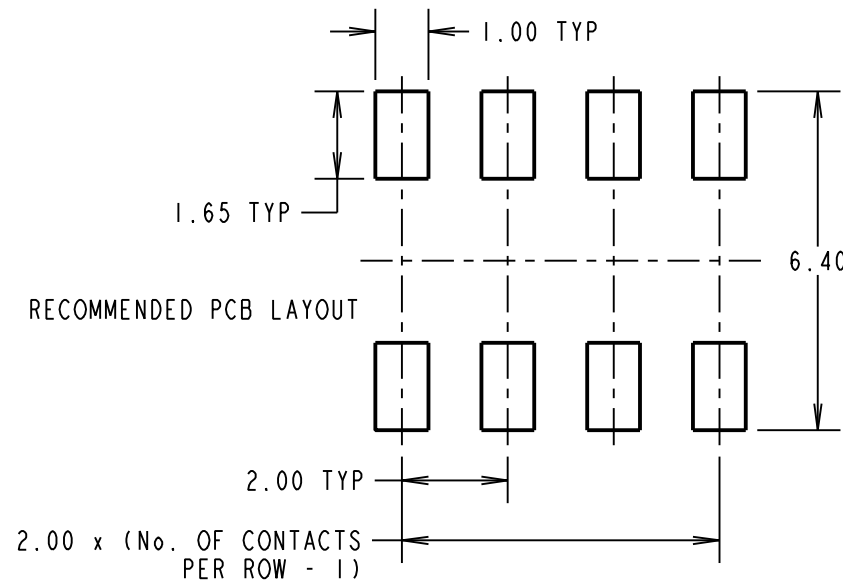
MECHANICAL:
 DURABILITY = 300 OPERATIONS (GOLD), 50 OPERATIONS (TIN)
 DIELECTRIC STRENGTH = 650V AC/DC

ENVIRONMENTAL:
 TEMPERATURE RANGE = -40°C TO +105°C
 FOR COMPLETE SPECIFICATION, SEE
 COMPONENT SPECIFICATION C018XX (LATEST ISSUE)

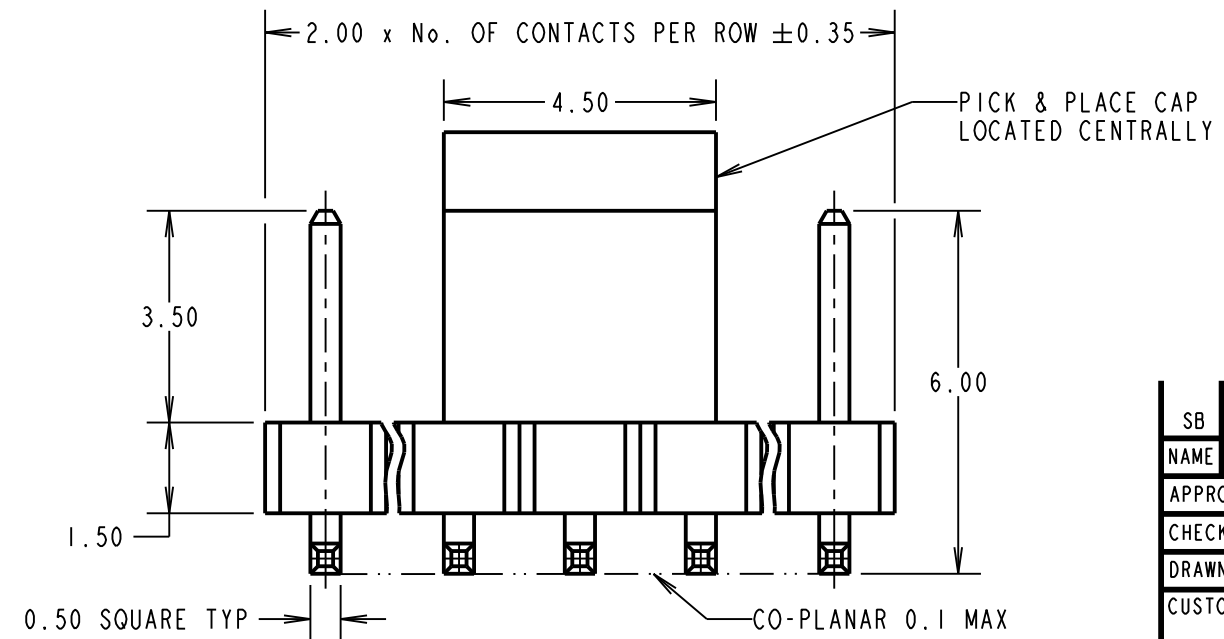
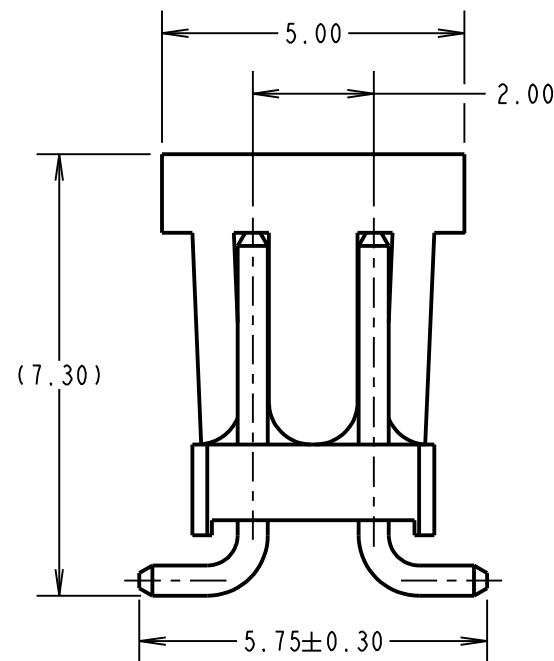
ORDER CODE:
M22-532XXXXR

No. OF CONTACTS PER ROW:
 02, 03, 05, 07, 08, 09,
 10, 11

FINISH:
 05 - GOLD
 46 - 100% TIN



PICK AND PLACE CAP
 HIDDEN FOR ILLUSTRATION
 ONLY



SB	12	27.04.15	12763
NAME	ISS.	DATE	C/NOTE
APPROVED:		S.BENNETT	
CHECKED:		M.PLESTED	
DRAWN:		J.KEIR	
CUSTOMER REF.:			
ASSEMBLY DRG:			

NOTES:

1. ALL TOLERANCES ARE ± 0.25 UNLESS OTHERWISE STATED.
2. SEE DRAWING M22-532XXXXP FOR PICK AND PLACE VERSION, M22-532XXXX FOR STANDARD PRODUCT.
3. FOR TAPE & REEL DETAILS, SEE SHEET 4.
4. CO-PLANARITY: FLATNESS OF SMT TAILS MUST NOT EXCEED 0.1mm.

HARWIN

www.harwin.com
 technical@harwin.com

THIS DRAWING AND ANY INFORMATION OR DESCRIPTIVE MATTER SET OUT HEREON ARE CONFIDENTIAL AND COPYRIGHT PROPERTY OF THE HARWIN GROUP AND MUST NOT BE DISCLOSED, LOANED, COPIED OR USED FOR MANUFACTURING, TENDERING OR FOR ANY OTHER PURPOSE WITHOUT THEIR WRITTEN PERMISSION.

TOLERANCES
~~X = ± 1 mm~~
~~X.X = ± 0.50 mm~~
~~X.XX = ± 0.10 mm~~
~~X.XXX = ± 0.01 mm~~
 ANGLES = $\pm 5^\circ$
 UNLESS STATED

MATERIAL: SEE ABOVE
FINISH: SEE ABOVE
S/AREA: mm²

TITLE: 2.00mm PITCH DIL SMT PIN HEADER ASSEMBLY (WITH P/PLACE CAP, T/REEL)
DRAWING NUMBER: M22-532XXXXR
SHT 3 OF 4

Customer Information Sheet

DRAWING No.: M22-532XXXXR

SHEET 4 OF 4

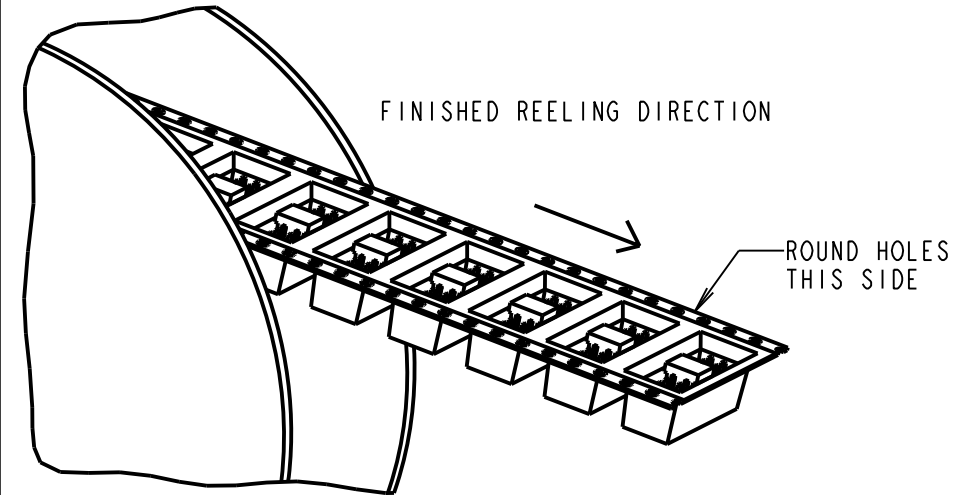
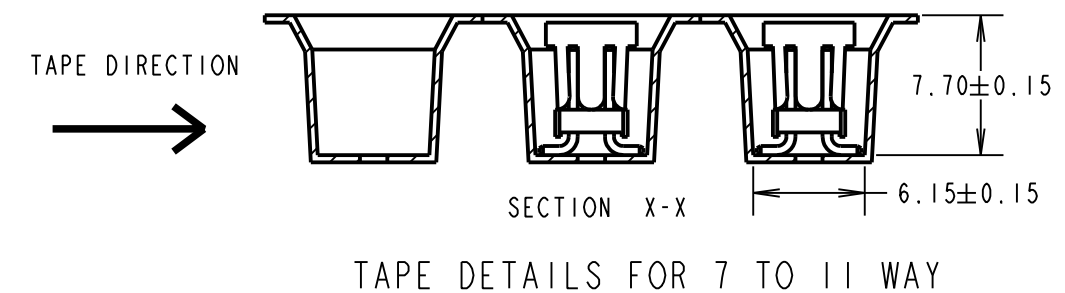
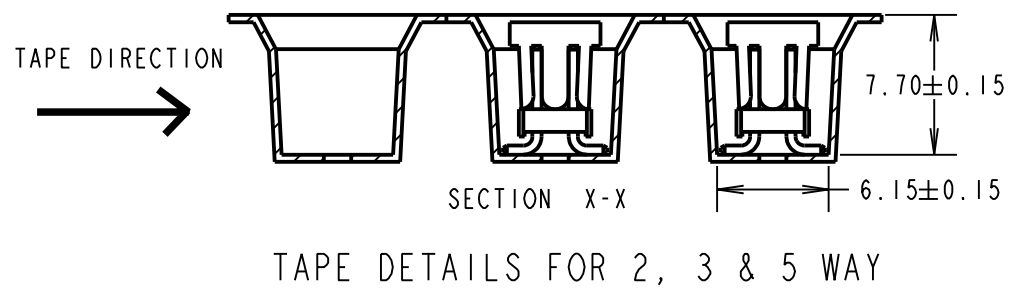
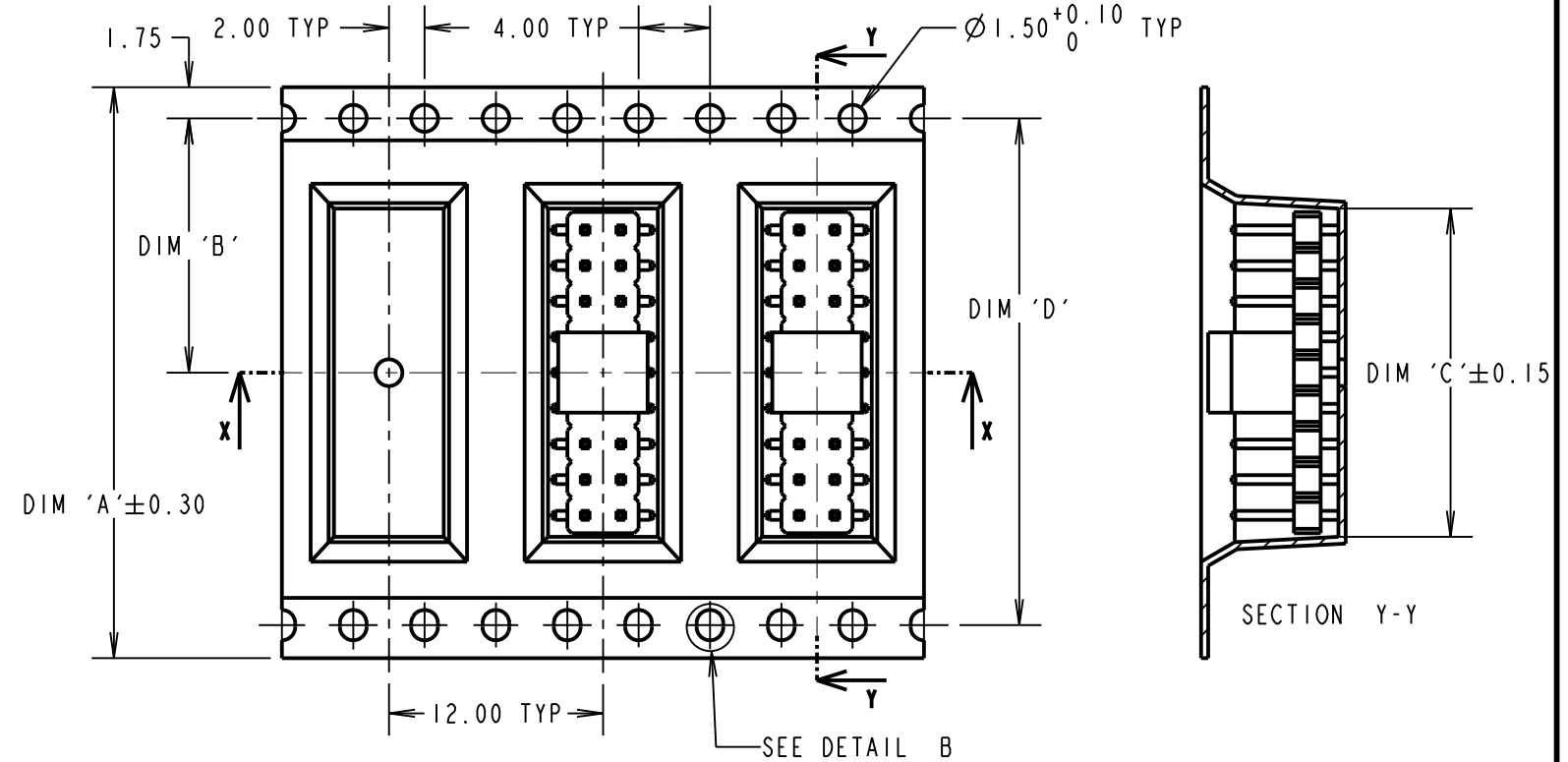
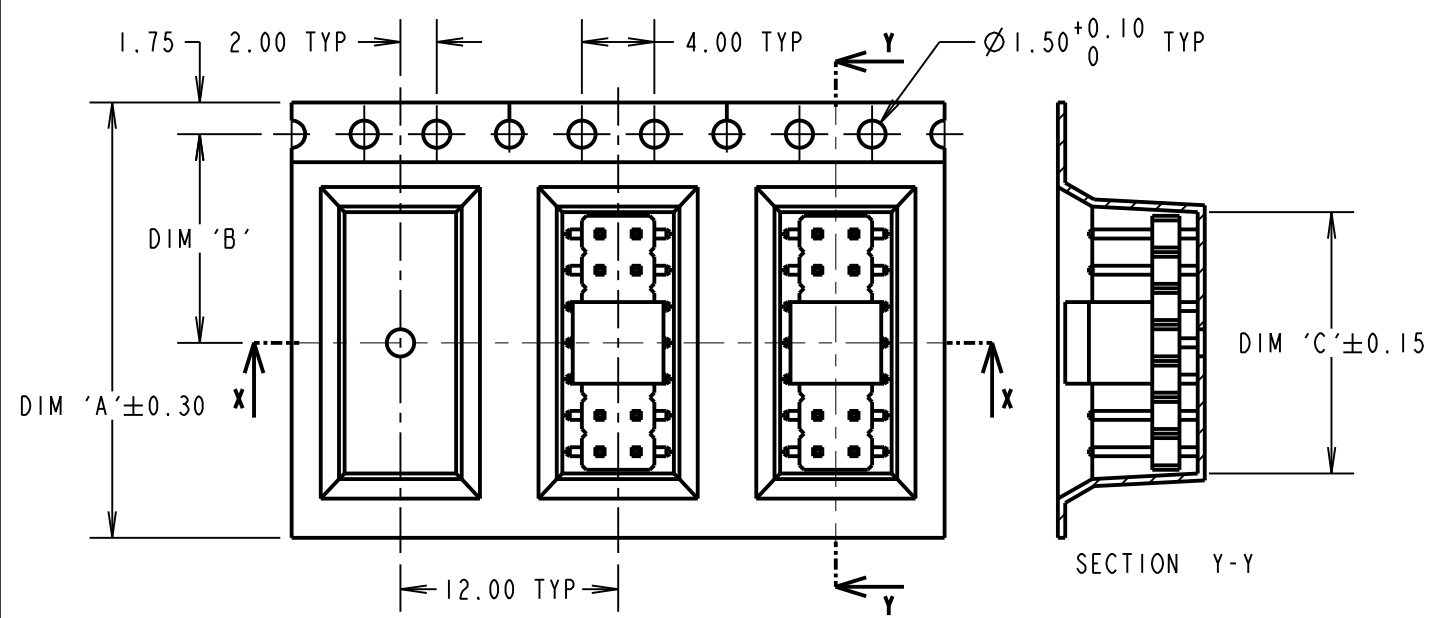
IF IN DOUBT - ASK

(C)

NOT TO SCALE

THIRD ANGLE PROJECTION

ALL DIMENSIONS IN mm



- NOTES:
1. QUANTITY PER REEL = 700 PIECES.
 2. FOR CONNECTOR DETAILS, SEE SHEET 3.
 3. SEE DRAWING M22-532XXXXP FOR PICK & PLACE VERSION & M22-532XXXX FOR STANDARD PRODUCT.

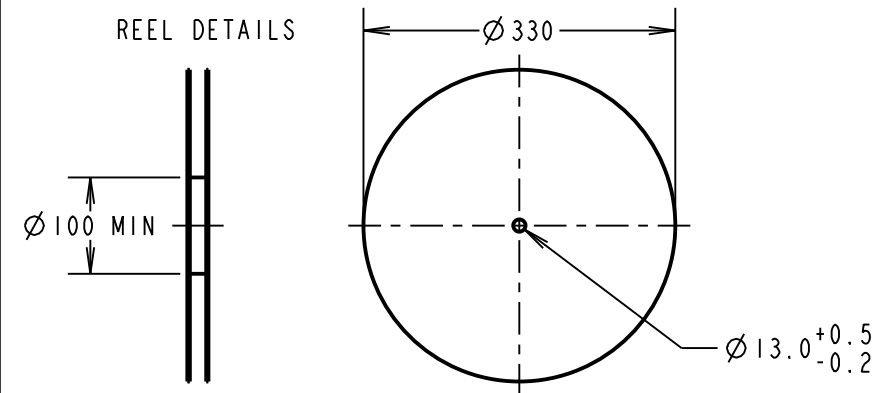
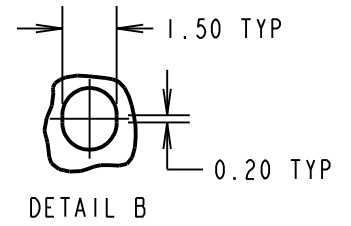
PART No.	DIM 'A'	DIM 'B'	DIM 'C'	DIM 'D'
M22-53202XXR	16.00	7.50	4.20	N/A
M22-53203XXR	16.00	7.50	6.20	N/A
M22-53205XXR	24.00	11.50	10.20	N/A
M22-53207XXR	32.00	14.20	14.40	28.40
M22-53208XXR	32.00	14.20	16.40	28.40
M22-53209XXR	32.00	14.20	18.40	28.40
M22-53210XXR	44.00	20.20	20.40	40.40
M22-53211XXR	44.00	20.20	22.40	40.40

ORDER CODE:

M22-532XXXXR

No. OF CONTACTS PER ROW:
02, 03, 05, 07, 08, 09,
10, 11

FINISH:
05 - GOLD
46 - 100% TIN



SB	12	27.04.15	12763
NAME	ISS.	DATE	C/NOTE
APPROVED:		S.BENNETT	
CHECKED:		M.PLESTED	
DRAWN:		J.KEIR	
CUSTOMER REF.:			
ASSEMBLY DRG:			

HARWIN

www.harwin.com
technical@harwin.com

THIS DRAWING AND ANY INFORMATION OR DESCRIPTIVE MATTER SET OUT HEREON ARE CONFIDENTIAL AND COPYRIGHT PROPERTY OF THE HARWIN GROUP AND MUST NOT BE DISCLOSED, LOANED, COPIED OR USED FOR MANUFACTURING, TENDERING OR FOR ANY OTHER PURPOSE WITHOUT THEIR WRITTEN PERMISSION.

TOLERANCES
X. = ±1mm
X.X = ±0.50mm
X.XX = ±0.10mm
X.XXX = ±0.01mm
ANGLES = 2±5°
UNLESS STATED

MATERIAL: SEE ABOVE
FINISH: SEE ABOVE
S/AREA: mm²

TITLE: 2.00mm PITCH DIL SMT PIN HEADER ASSEMBLY (WITH P/PLACE CAP, T/REEL)
DRAWING NUMBER: **M22-532XXXXR**
SHT 4 OF 4

X-ON Electronics

Largest Supplier of Electrical and Electronic Components

Click to view similar products for [Headers & Wire Housings](#) category:

Click to view products by [Harwin](#) manufacturer:

Other Similar products are found below :

[892-18-020-10-001101](#) [58102-G61-06LF](#) [582553-1](#) [0009485154](#) [009176003701906](#) [0050291907](#) [LY20-4P-DT1-P1E-BR](#) [02.125.8002.8](#)
[609-3404](#) [61062-3](#) [622-0430](#) [622-3653LF](#) [63453-116](#) [636-1030](#) [636-1427](#) [636-3427](#) [636-4007](#) [641938-9](#) [641991-4](#) [644827-2](#) [65817-010LF](#)
[65817-015LF](#) [65863-015LF](#) [66207-023LF](#) [67095-007LF](#) [67601157](#) [68648-049](#) [70.362.1628.0](#) [70-4210](#) [70-4226B](#) [70-4853B](#) [707-5020](#) [707-](#)
[5028](#) [71.350.2428.0](#) [71918-208LF](#) [71961-016LF](#) [733-134](#) [733-162](#) [754199-000](#) [760-3052](#) [787-8014-00](#) [79531-3000](#) [FCN-360C032-B](#) [FCN-](#)
[367T-T012/H](#) [FCN-723D010/2](#) [80.063.4001.1](#) [800-90-001-10-001000](#) [800-90-010-10-002000](#) [801-43-002-10-013000](#) [801-43-006-10-002000](#)