

# Customer Information Sheet

DRAWING No.: M225-455XX98

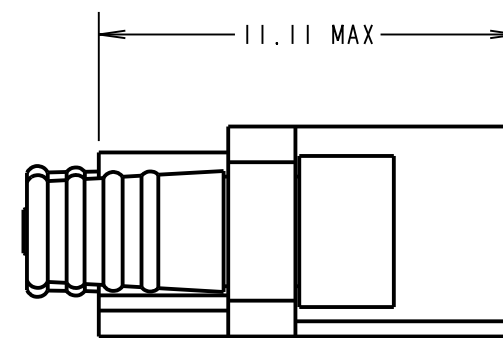
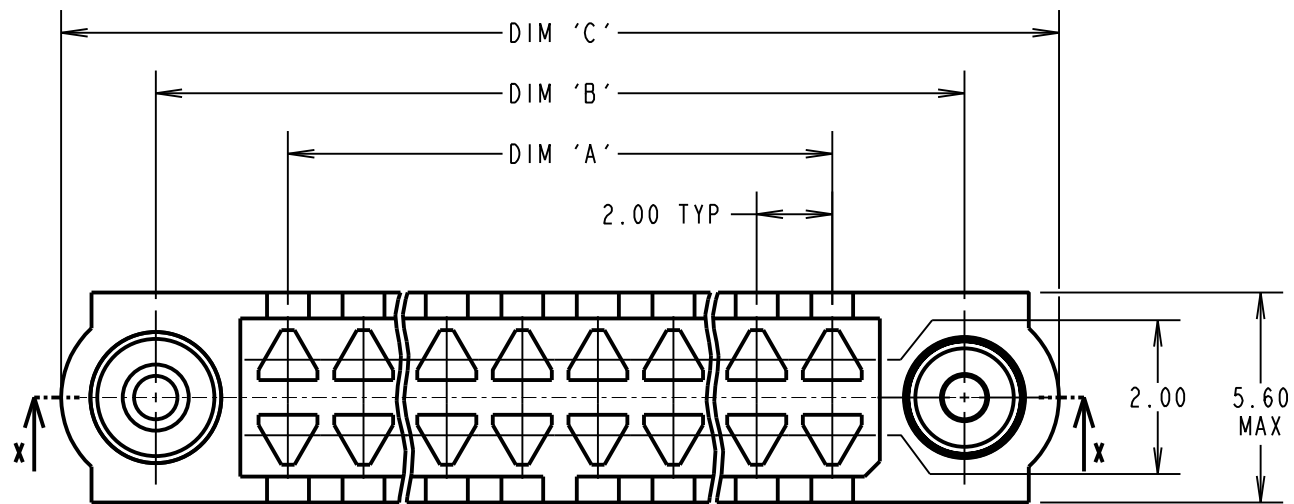
IF IN DOUBT - ASK

©

NOT TO SCALE

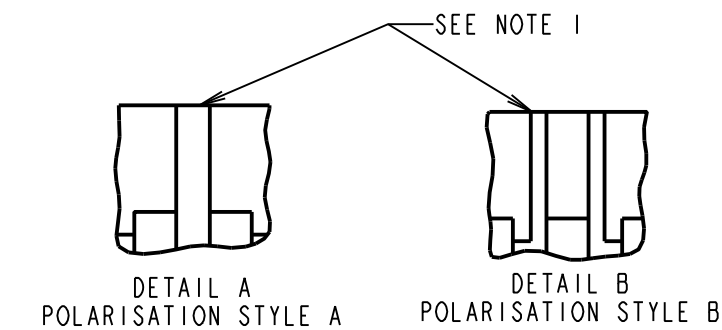
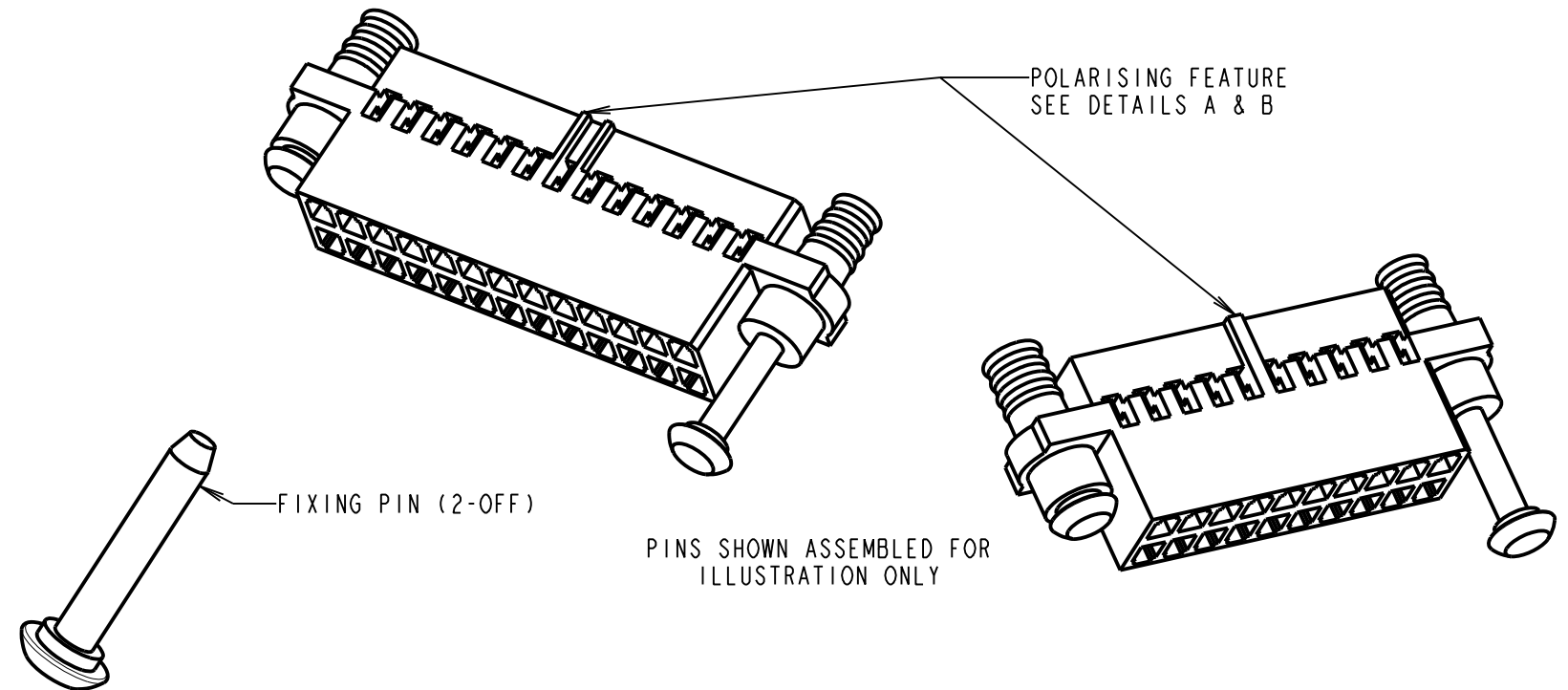
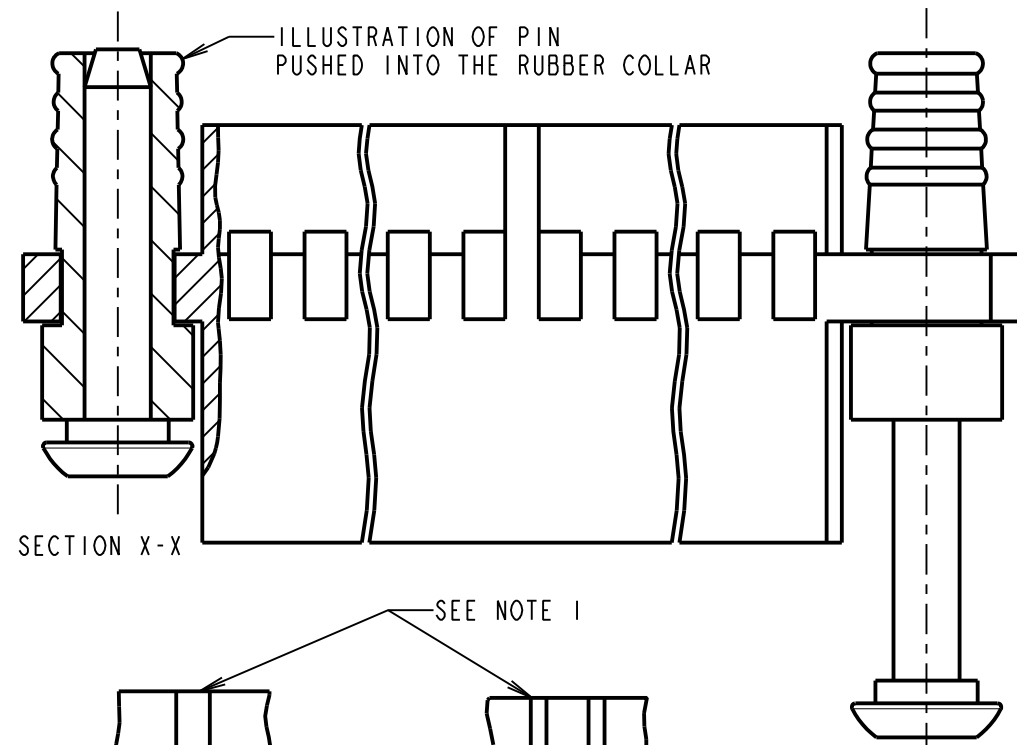
THIRD ANGLE PROJECTION

ALL DIMENSIONS IN mm



**SPECIFICATION:**

MATERIAL:  
 HOUSING & PIN = GLASS-FILLED POLYAMIDE 46,  
 UL94V-0  
 COLLAR = FLUOROELASTOMER  
 ELECTRICAL:  
 INSULATION RESISTANCE = 1000MΩ MIN  
 ENVIRONMENTAL:  
 TEMPERATURE RANGE = -55°C TO +125°C  
 PACKING:  
 BAG  
 FOR COMPLETE SPECIFICATION, SEE COMPONENT  
 SPECIFICATION C050XX (LATEST ISSUE)



**NOTES:**

- POLARISING FEATURE STYLE DEPENDANT ON NUMBER OF CONTACT POSITIONS.
- HOUSING TO BE USED WITH DATAMATE TRIO-TEK CRIMP CONTACTS:  
 M225-25300XX = 22-24 AWG REELED  
 M225-25400XX = 26-28 AWG REELED  
 M225-28300XX = 22-24 AWG LOOSE  
 M225-28400XX = 26-28 AWG LOOSE
- CONTACT EXTRACTION TOOL = Z80-258.
- INSTRUCTION SHEETS ARE AVAILABLE.
- PINS ARE SUPPLIED LOOSE, NOT ASSEMBLED INTO COLLAR.

ORDER CODE:  
**M225-455XX98**  
 TOTAL No. OF CONTACT POSITIONS: \_\_\_\_\_  
 10, 20, 26, 34, 50

MR	1	18.12.18	21726
NAME	ISS.	DATE	C/NOTE
APPROVED: M.RUDKIN			
CHECKED: S.BENNETT			
DRAWN: F.MCGOWAN			
CUSTOMER REF.:			
ASSEMBLY DRG:			

DIMENSION	CALCULATION
DIM 'A'	TOTAL No. OF CONTACT POSITIONS - 2.00
DIM 'B'	TOTAL No. OF CONTACT POSITIONS + 5.00
DIM 'C'	TOTAL No. OF CONTACT POSITIONS + 10.0
EXAMPLE: CONNECTOR WITH 20 CONTACT POSITIONS, M225-4552098	
DIM 'A' = 18.00mm, DIM 'B' = 25.00mm, DIM 'C' = 30.0mm	

**HARWIN**  
 www.harwin.com  
 technical@harwin.com

THIS DRAWING AND ANY INFORMATION OR DESCRIPTIVE MATTER SET OUT HEREON ARE CONFIDENTIAL AND COPYRIGHT PROPERTY OF THE HARWIN GROUP AND MUST NOT BE DISCLOSED, LOANED, COPIED OR USED FOR MANUFACTURING, TENDERING OR FOR ANY OTHER PURPOSE WITHOUT THEIR WRITTEN PERMISSION.

TOLERANCES  
 X. = ±1mm  
 X.X = ±0.50mm  
 X.XX = ±0.10mm  
 X.XXX = ±0.01mm  
 ANGLES = ±5°  
 UNLESS STATED

MATERIAL: SEE ABOVE  
 FINISH: SEE ABOVE  
 S/AREA: mm<sup>2</sup>

TITLE: TRIO-TEK FEMALE CRIMP HOUSING WITH FIXINGS  
 DRAWING NUMBER: **M225-455XX98**  
 SHT 2 OF 2

## X-ON Electronics

Largest Supplier of Electrical and Electronic Components

*Click to view similar products for [Headers & Wire Housings](#) category:*

*Click to view products by [Harwin](#) manufacturer:*

Other Similar products are found below :

[892-18-020-10-001101](#) [58102-G61-06LF](#) [582553-1](#) [0009485154](#) [009176003701906](#) [0050291907](#) [LY20-4P-DT1-P1E-BR](#) [02.125.8002.8](#)  
[609-3404](#) [61062-3](#) [622-0430](#) [622-3653LF](#) [63453-116](#) [636-1030](#) [636-1427](#) [636-3427](#) [636-4007](#) [641938-9](#) [641991-4](#) [644827-2](#) [65817-010LF](#)  
[65817-015LF](#) [65863-015LF](#) [66207-023LF](#) [67095-007LF](#) [67601157](#) [68648-049](#) [70.362.1628.0](#) [70-4210](#) [70-4226B](#) [70-4853B](#) [707-5020](#) [707-](#)  
[5028](#) [71.350.2428.0](#) [71918-208LF](#) [71961-016LF](#) [733-134](#) [733-162](#) [754199-000](#) [760-3052](#) [787-8014-00](#) [79531-3000](#) [FCN-360C032-B](#) [FCN-](#)  
[367T-T012/H](#) [FCN-723D010/2](#) [80.063.4001.1](#) [800-90-001-10-001000](#) [800-90-010-10-002000](#) [801-43-002-10-013000](#) [801-43-006-10-002000](#)