

Customer Information Sheet

DRAWING No.: M22-552XXX

SHEET 2 OF 2

IF IN DOUBT - ASK

(C)

NOT TO SCALE

THIRD ANGLE PROJECTION

ALL DIMENSIONS IN mm

SPECIFICATIONS:

MATERIAL:

MOULDING = NYLON 6T, UL94V-0, BLACK

CONTACTS = PHOSPHOR BRONZE

FINISH:

05 = GOLD FLASH OVER NICKEL

46 = 100% TIN OVER NICKEL

ELECTRICAL:

CURRENT RATING = 2A

VOLTAGE RATING = 150V AC/DC

VOLTAGE PROOF = 500V AC FOR ONE MINUTE

CONTACT RESISTANCE = 20mΩ MAX

INSULATION RESISTANCE = 1,000MΩ MIN

MECHANICAL:

DURABILITY = 300 OPERATIONS MIN

ENVIRONMENTAL:

TEMPERATURE RANGE = -40°C TO +105°C

PACKING:

BAG

FOR COMPLETE SPECIFICATION, SEE COMPONENT SPECIFICATION CO18XX (LATEST ISSUE)

ORDER CODE:

M22-552XXX

No. OF CONTACTS PER ROW

02 TO 20

FINISH:

05 - GOLD FLASH OVER NICKEL

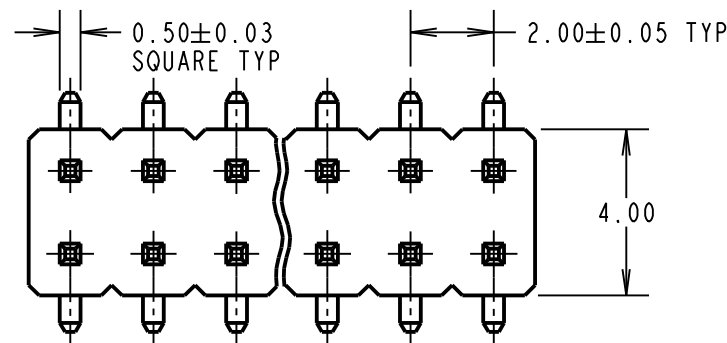
46 - 100% TIN OVER NICKEL

NOTES:

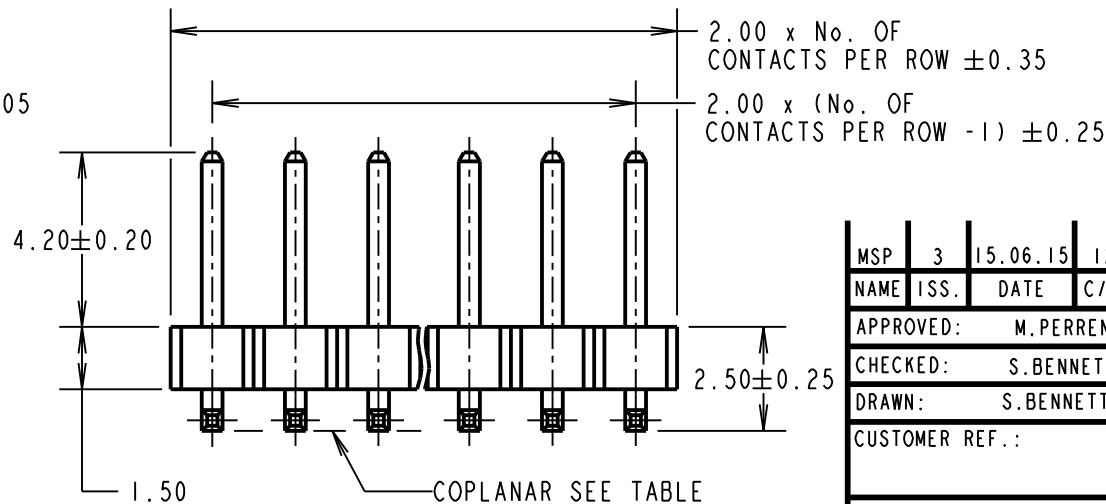
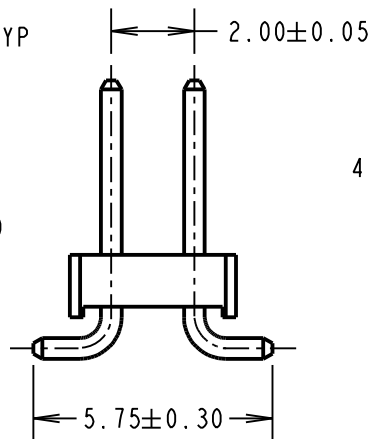
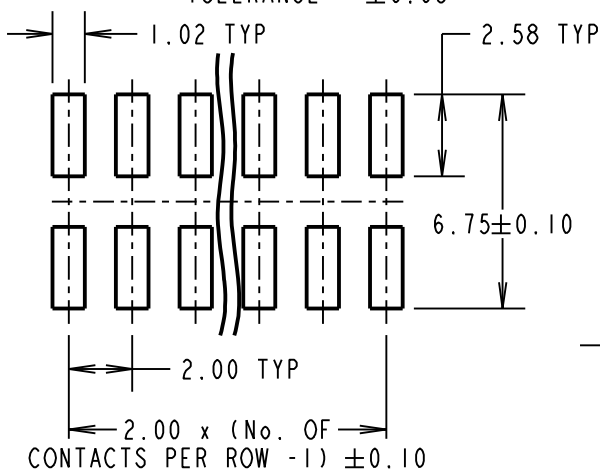
1. ALL TOLERANCES ARE ±0.15 UNLESS OTHERWISE STATED.

2. CO-PLANARITY: SMT TAILS MUST NOT EXCEED VALUES GIVEN IN TABLE.

No. OF CONTACTS PER ROW	COPLANARITY TOLERANCE
02 TO 20	0.20mm MAX



RECOMMENDED PCB LAYOUT
TOLERANCE = ±0.05



MSP	3	15.06.15	12803
NAME	ISS.	DATE	C/NOTE
APPROVED:		M. PERREN	
CHECKED:		S. BENNETT	
DRAWN:		S. BENNETT	
CUSTOMER REF.:			
ASSEMBLY DRG:			

HARWIN

www.harwin.com
technical@harwin.com

THIS DRAWING AND ANY INFORMATION OR DESCRIPTIVE MATTER SET OUT HEREON ARE CONFIDENTIAL AND COPYRIGHT PROPERTY OF THE HARWIN GROUP AND MUST NOT BE DISCLOSED, LOANED, COPIED OR USED FOR MANUFACTURING, TENDERING OR FOR ANY OTHER PURPOSE WITHOUT THEIR WRITTEN PERMISSION.

TOLERANCES
~~X = ±1mm~~
~~X.X = ±0.50mm~~
~~X.XX = ±0.10mm~~
~~X.XXX = ±0.01mm~~
ANGLES = ±5°
UNLESS STATED

MATERIAL:
SEE ABOVE
FINISH: SEE ABOVE
S/AREA: mm²

TITLE:
2.00mm PITCH DIL
SMT PIN HEADER ASSEMBLY
DRAWING NUMBER:
M22-552XXX

SHT
2
OF
2

X-ON Electronics

Largest Supplier of Electrical and Electronic Components

Click to view similar products for [Headers & Wire Housings](#) category:

Click to view products by [Harwin](#) manufacturer:

Other Similar products are found below :

[892-18-020-10-001101](#) [58102-G61-06LF](#) [582553-1](#) [0009485154](#) [009176003701906](#) [0050291907](#) [LY20-4P-DT1-P1E-BR](#) [02.125.8002.8](#)
[609-3404](#) [61062-3](#) [622-0430](#) [622-3653LF](#) [63453-116](#) [636-1030](#) [636-1427](#) [636-3427](#) [636-4007](#) [641938-9](#) [641991-4](#) [644827-2](#) [65817-010LF](#)
[65817-015LF](#) [65863-015LF](#) [66207-023LF](#) [67095-007LF](#) [67601157](#) [68648-049](#) [70.362.1628.0](#) [70-4210](#) [70-4226B](#) [70-4853B](#) [707-5020](#) [707-](#)
[5028](#) [71.350.2428.0](#) [71918-208LF](#) [71961-016LF](#) [733-134](#) [733-162](#) [754199-000](#) [760-3052](#) [787-8014-00](#) [79531-3000](#) [FCN-360C032-B](#) [FCN-](#)
[367T-T012/H](#) [FCN-723D010/2](#) [80.063.4001.1](#) [800-90-001-10-001000](#) [800-90-010-10-002000](#) [801-43-002-10-013000](#) [801-43-006-10-002000](#)