

Customer Information Sheet

DRAWING No.: M22-634XX42R

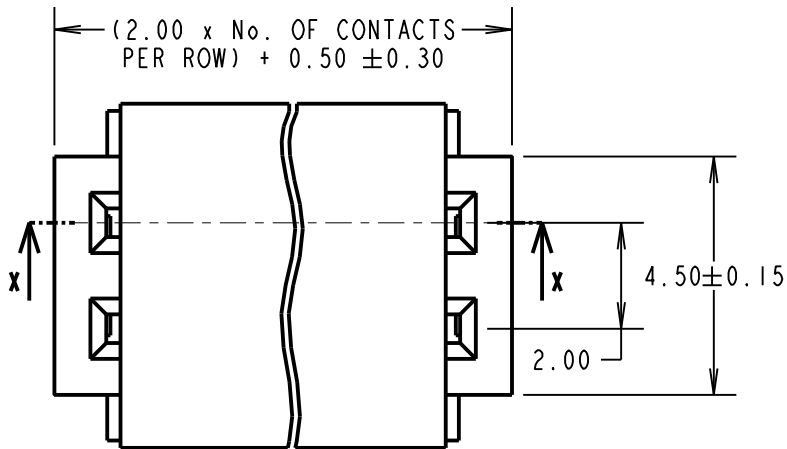
IF IN DOUBT - ASK

(C)

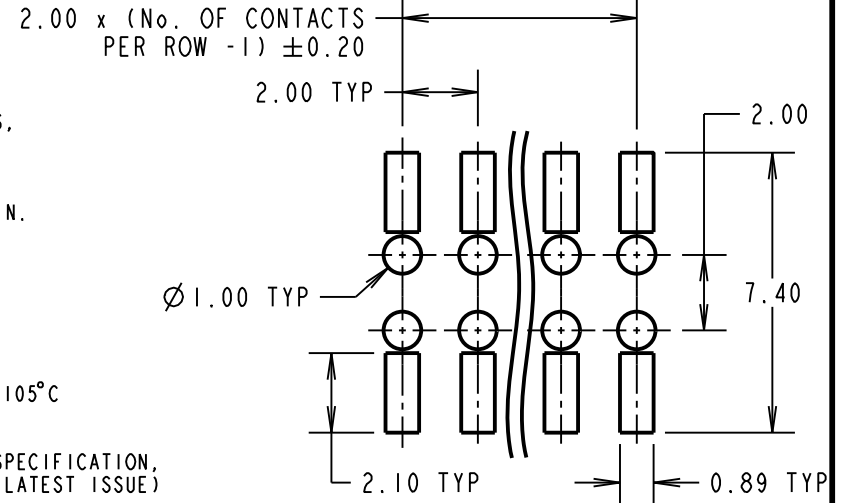
NOT TO SCALE

THIRD ANGLE PROJECTION

ALL DIMENSIONS IN mm

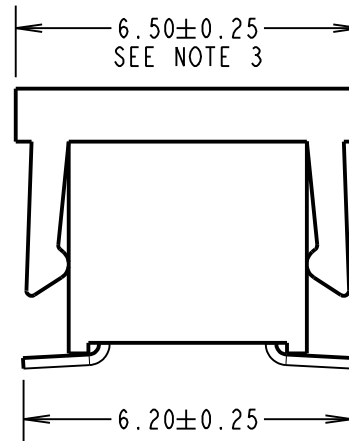
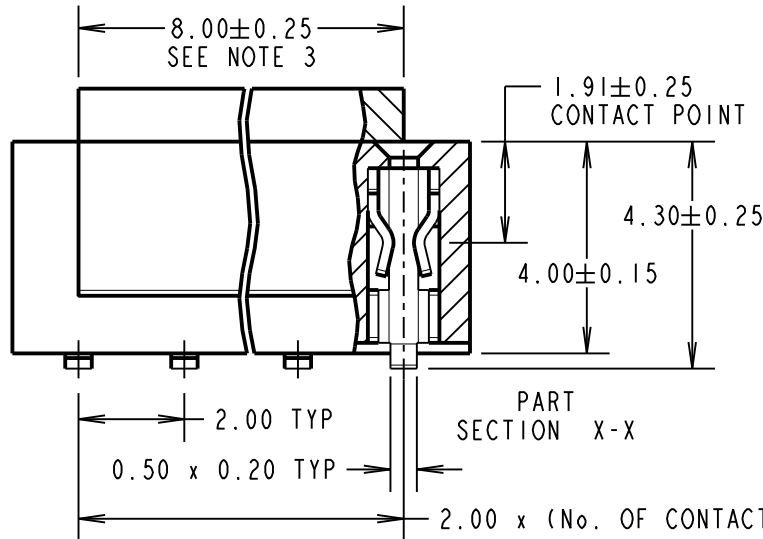


SPECIFICATIONS:
MATERIAL:
 MOULDING = PA9T, UL94V-0, BLACK
 CONTACT = PHOSPHOR BRONZE
FINISH:
 NICKEL ALL OVER, 100% TIN ON TAILS,
 GOLD FLASH ON CONTACT AREA.
ELECTRICAL:
 CURRENT RATING = 2A
 INSULATION RESISTANCE = 1000M Ω MIN.
 CONTACT RESISTANCE = 20m Ω MAX.
 VOLTAGE PROOF = 500V AC/DC
MECHANICAL:
 INSERTION FORCE = 1.96N MAX
 WITHDRAWAL FORCE = 0.20N MIN.
 DURABILITY = 300 CYCLES
ENVIRONMENTAL:
 OPERATING TEMPERATURE = -55°C TO +105°C
PACKING:
 REEL
 FOR COMPLETE MECHANICAL/ELECTRICAL SPECIFICATION,
 SEE COMPONENT SPECIFICATION CO18XX (LATEST ISSUE)



RECOMMENDED PCB LAYOUT
 (TOLERANCE = ± 0.05)

- NOTES:**
1. COPLANARITY OF CONTACTS TO BE 0.10mm MAX.
 2. FOR TAPE AND REEL DETAILS, SEE SHEET 4.
 3. FOR M22-6340342R, 5.00 x 5.00 SQUARE MYLAR TAPE IS USED INSTEAD OF PICK AND PLACE CAP.



ORDER CODE:

M22-634XX42R

No. OF CONTACTS PER ROW:
 03, 04, 05

MSP	16	14.08.17	20547
NAME	ISS.	DATE	C/NOTE
APPROVED:		M.PERREN	
CHECKED:		S.BENNETT	
DRAWN:		W.J.BOURNE	
CUSTOMER REF.:			
ASSEMBLY DRG:			

HARWIN

www.harwin.com
 technical@harwin.com

THIS DRAWING AND ANY INFORMATION OR DESCRIPTIVE MATTER SET OUT HEREON ARE CONFIDENTIAL AND COPYRIGHT PROPERTY OF THE HARWIN GROUP AND MUST NOT BE DISCLOSED, LOANED, COPIED OR USED FOR MANUFACTURING, TENDERING OR FOR ANY OTHER PURPOSE WITHOUT THEIR WRITTEN PERMISSION.

TOLERANCES
 X. = ± 1 mm
 X.X = ± 0.50 mm
 X.XX = ± 0.10 mm
 X.XXX = ± 0.01 mm
 ANGLES = $\pm 5^\circ$
 UNLESS STATED

MATERIAL:
 SEE ABOVE

FINISH: SEE ABOVE

S/AREA: mm²

TITLE: 2mm PITCH DIL SMT
 LOW PROFILE SKT ASSEMBLY
 IN TAPE AND REEL

DRAWING NUMBER:
M22-634XX42R

SHT
 3
 OF
 4

Customer Information Sheet

DRAWING No.: M22-634XX42R

IF IN DOUBT - ASK

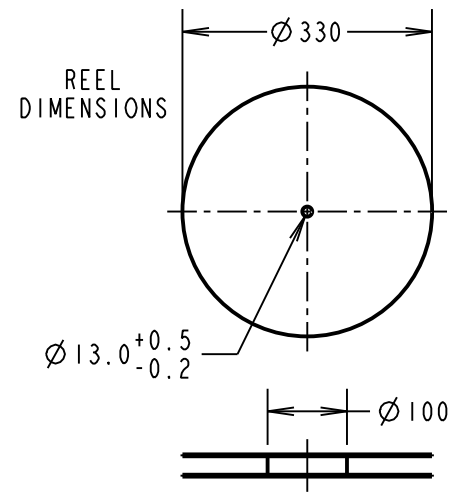
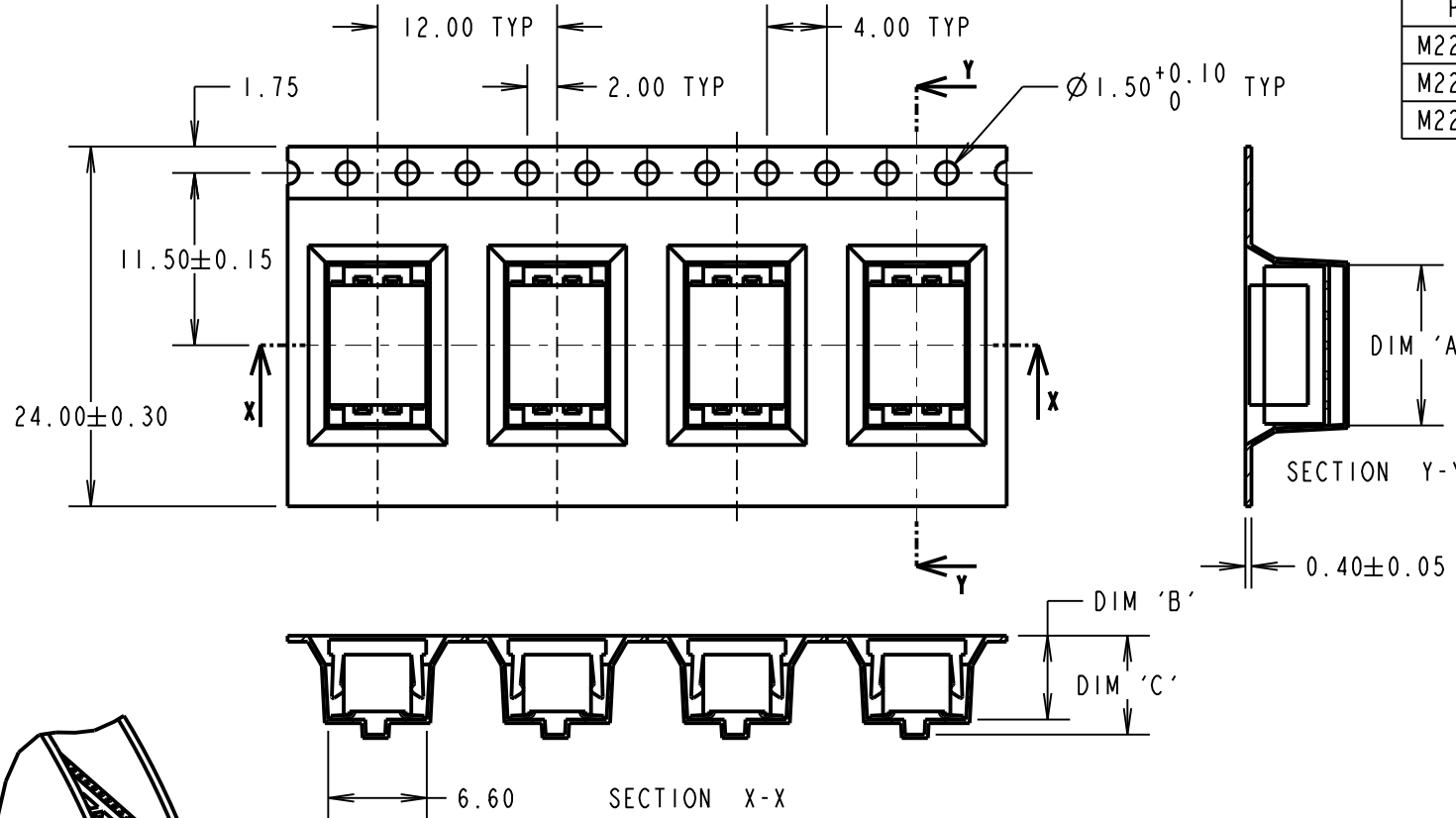
(C)

NOT TO SCALE

THIRD ANGLE PROJECTION

ALL DIMENSIONS IN mm

PART No.	DIM 'A'	DIM 'B'	DIM 'C'
M22-6340342R	8.30	5.60	6.60
M22-6340442R	8.90	6.00	6.90
M22-6340542R	10.70	5.60	6.60



- NOTES:
1. FOR CONNECTOR DIMENSIONS, SEE SHEET 3.
 2. QUANTITY OF COMPONENTS PER REEL = 800.
 3. PRODUCT IS TAPE AND REELED IN ACCORDANCE WITH ELECTRONICS INDUSTRIES ASSOCIATION EIA-481.

ORDER CODE: **M22-634XX42R**

No. OF CONTACTS PER ROW: 03, 04, 05

MSP	16	14.08.17	20547
NAME	ISS.	DATE	C/NOTE
APPROVED:		M. PERREN	
CHECKED:		S. BENNETT	
DRAWN:		W. J. BOURNE	
CUSTOMER REF.:			
ASSEMBLY DRG:			

HARWIN

www.harwin.com
technical@harwin.com

THIS DRAWING AND ANY INFORMATION OR DESCRIPTIVE MATTER SET OUT HEREON ARE CONFIDENTIAL AND COPYRIGHT PROPERTY OF THE HARWIN GROUP AND MUST NOT BE DISCLOSED, LOANED, COPIED OR USED FOR MANUFACTURING, TENDERING OR FOR ANY OTHER PURPOSE WITHOUT THEIR WRITTEN PERMISSION.

TOLERANCES
X. = ± 1 mm
X.X = ± 0.50 mm
X.XX = ± 0.10 mm
X.XXX = ± 0.01 mm
ANGLES = $\pm 5^\circ$
UNLESS STATED

MATERIAL:
SEE SHEET 3
FINISH: SEE SHEET 3
S/AREA: mm²

TITLE: 2mm PITCH DIL SMT
LOW PROFILE SKT ASSEMBLY
IN TAPE AND REEL
DRAWING NUMBER:
M22-634XX42R

X-ON Electronics

Largest Supplier of Electrical and Electronic Components

Click to view similar products for [Headers & Wire Housings](#) category:

Click to view products by [Harwin](#) manufacturer:

Other Similar products are found below :

[892-18-020-10-001101](#) [58102-G61-06LF](#) [582553-1](#) [0009485154](#) [009176003701906](#) [0050291907](#) [LY20-4P-DT1-P1E-BR](#) [02.125.8002.8](#)
[609-3404](#) [61062-3](#) [622-0430](#) [622-3653LF](#) [63453-116](#) [636-1030](#) [636-1427](#) [636-3427](#) [636-4007](#) [641938-9](#) [641991-4](#) [644827-2](#) [65817-010LF](#)
[65817-015LF](#) [65863-015LF](#) [66207-023LF](#) [67095-007LF](#) [67601157](#) [68648-049](#) [70.362.1628.0](#) [70-4210](#) [70-4226B](#) [70-4853B](#) [707-5020](#) [707-](#)
[5028](#) [71.350.2428.0](#) [71918-208LF](#) [71961-016LF](#) [733-134](#) [733-162](#) [754199-000](#) [760-3052](#) [787-8014-00](#) [79531-3000](#) [FCN-360C032-B](#) [FCN-](#)
[367T-T012/H](#) [FCN-723D010/2](#) [80.063.4001.1](#) [800-90-001-10-001000](#) [800-90-010-10-002000](#) [801-43-002-10-013000](#) [801-43-006-10-002000](#)