

# Customer Information Sheet

DRAWING No.: M22-636XXXX SHEET 2 OF 2

IF IN DOUBT - ASK

©

NOT TO SCALE

THIRD ANGLE PROJECTION

ALL DIMENSIONS IN mm

ORDER CODE:  
**M22-636XXXX**

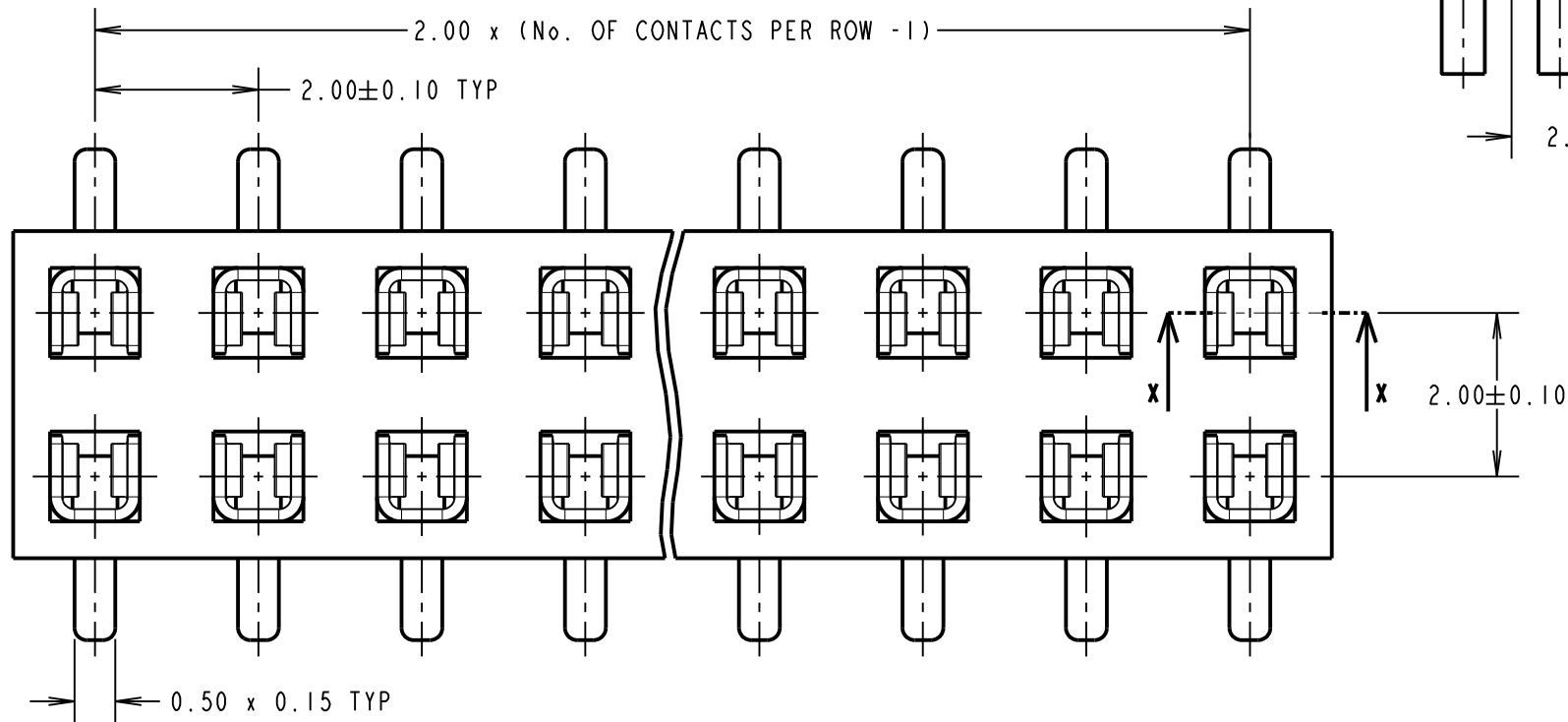
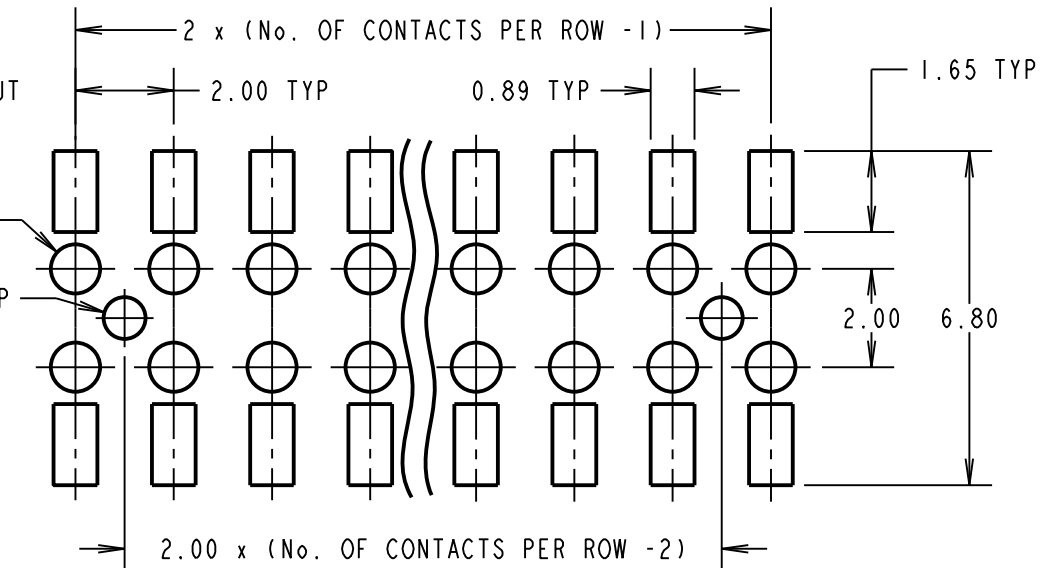
No. OF CONTACTS PER ROW:  
02 TO 20

FINISH:  
42 - SELECTIVE GOLD FLASH & 100% TIN  
46 - 100% TIN

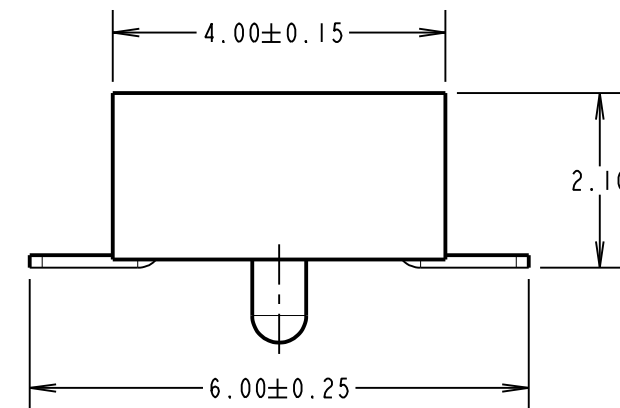
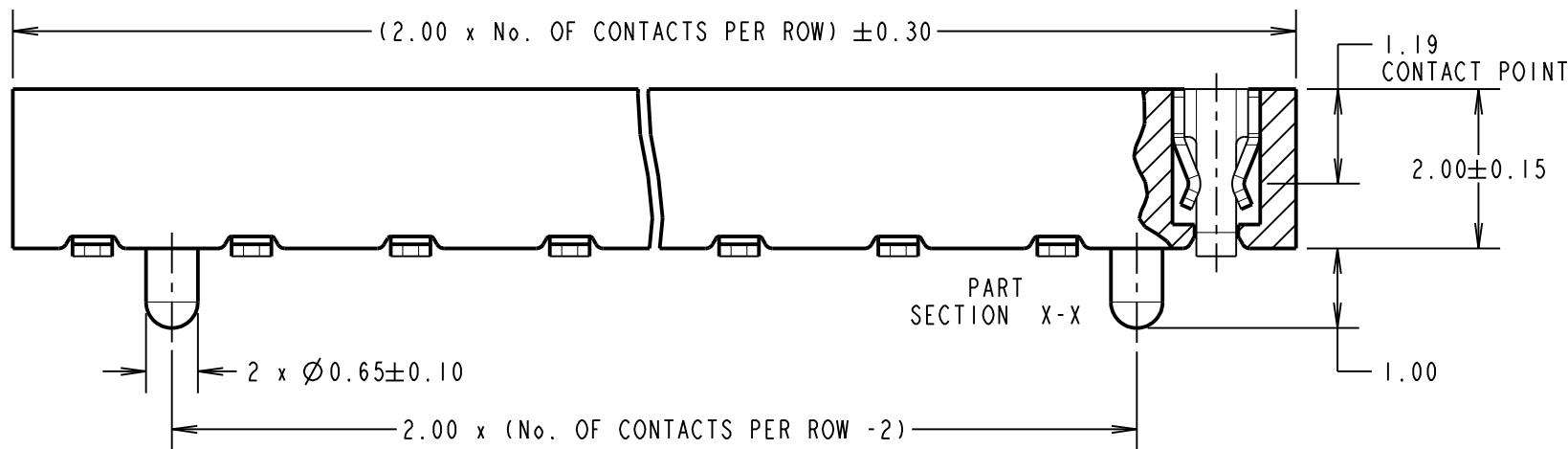
RECOMMENDED PCB LAYOUT  
(TOLERANCE =  $\pm 0.05$ )

$\phi 1.00 \pm 0.05$  TYP

$\phi 0.85^{+0.05}_0$  TYP



**SPECIFICATION:**  
 MATERIAL = PA9T, UL94V-0, BLACK  
 CONTACTS = PHOSPHOR BRONZE  
**FINISH:**  
 42 = NICKEL ALL OVER WITH GOLD FLASH ON CONTACT AREA AND 100% TIN ON TAILS  
 46 = 100% TIN OVER NICKEL  
**ELECTRICAL:**  
 CURRENT RATING = 2A  
 CONTACT RESISTANCE =  $20m\Omega$  MAX  
 INSULATION RESISTANCE =  $1000M\Omega$  MIN  
 DIELECTRIC WITHSTANDING = 500V AC MIN  
**MECHANICAL:**  
 DURABILITY = 300 CYCLES MIN  
 INSERTION FORCE = 1.77N MAX  
 WITHDRAWAL FORCE = 0.25N MIN  
**ENVIRONMENTAL:**  
 TEMPERATURE RANGE =  $-40^{\circ}C$  TO  $+105^{\circ}C$   
**PACKING:**  
 TUBE  
 FOR COMPLETE SPECIFICATION, SEE COMPONENT SPECIFICATION CO18XX (LATEST ISSUE).



MSP	11	04.10.16	13421
NAME	ISS.	DATE	C/NOTE
APPROVED: M.PERREN			
CHECKED: S.BENNETT			
DRAWN: D.BECK			
CUSTOMER REF.:			
ASSEMBLY DRG:			

NOTES:  
1. ALL TOLERANCES ARE  $\pm 0.25$ , UNLESS OTHERWISE STATED.

**HARWIN**

www.harwin.com  
technical@harwin.com

THIS DRAWING AND ANY INFORMATION OR DESCRIPTIVE MATTER SET OUT HEREON ARE CONFIDENTIAL AND COPYRIGHT PROPERTY OF THE HARWIN GROUP AND MUST NOT BE DISCLOSED, LOANED, COPIED OR USED FOR MANUFACTURING, TENDERING OR FOR ANY OTHER PURPOSE WITHOUT THEIR WRITTEN PERMISSION.

**TOLERANCES**  
~~X =  $\pm 1mm$~~   
~~X.X =  $\pm 0.25mm$~~   
~~X.XX =  $\pm 0.10mm$~~   
~~X.XXX =  $\pm 0.01mm$~~   
 ANGLES =  $\pm 5^{\circ}$   
 UNLESS STATED

MATERIAL:

SEE ABOVE

FINISH:

SEE ABOVE

S/AREA:

mm<sup>2</sup>

TITLE:

2mm PITCH DIL SMT VERTICAL LOW PROFILE SOCKET ASSEMBLY

DRAWING NUMBER:

**M22-636XXXX**

SHT  
2 OF 2

## X-ON Electronics

Largest Supplier of Electrical and Electronic Components

*Click to view similar products for [Headers & Wire Housings](#) category:*

*Click to view products by [Harwin](#) manufacturer:*

Other Similar products are found below :

[892-18-020-10-001101](#) [58102-G61-06LF](#) [582553-1](#) [0009485154](#) [009176003701906](#) [0050291907](#) [LY20-4P-DT1-P1E-BR](#) [02.125.8002.8](#)  
[609-3404](#) [61062-3](#) [622-0430](#) [622-3653LF](#) [63453-116](#) [636-1030](#) [636-1427](#) [636-3427](#) [636-4007](#) [641938-9](#) [641991-4](#) [644827-2](#) [65817-010LF](#)  
[65817-015LF](#) [65863-015LF](#) [66207-023LF](#) [67095-007LF](#) [67601157](#) [68648-049](#) [70.362.1628.0](#) [70-4210](#) [70-4226B](#) [70-4853B](#) [707-5020](#) [707-5028](#) [71.350.2428.0](#) [71918-208LF](#) [71961-016LF](#) [733-134](#) [733-162](#) [754199-000](#) [760-3052](#) [787-8014-00](#) [79531-3000](#) [FCN-360C032-B](#) [FCN-367T-T012/H](#) [FCN-723D010/2](#) [80.063.4001.1](#) [800-90-001-10-001000](#) [800-90-010-10-002000](#) [801-43-002-10-013000](#) [801-43-006-10-002000](#)