

# Customer Information Sheet

DRAWING No.: M22-713XXX

SHEET 2 OF 2

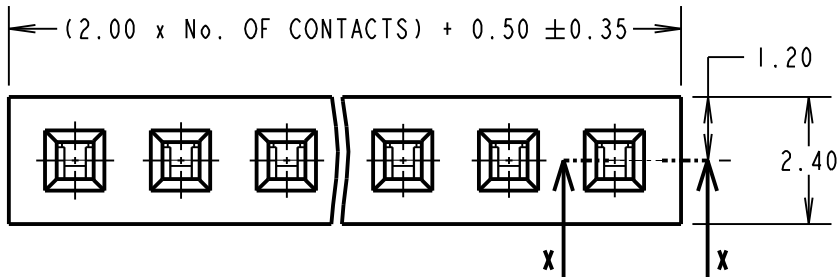
IF IN DOUBT - ASK

(C)

NOT TO SCALE

THIRD ANGLE PROJECTION

ALL DIMENSIONS IN mm



ORDER CODE:  
**M22-713XX42**

No. OF CONTACTS: \_\_\_\_\_  
03 TO 20 & 25

FINISH: \_\_\_\_\_  
42 = GOLD FLASH ON CONTACT,  
100% TIN ON TAILS

**SPECIFICATION:**

**MATERIAL:**

MOULDING = LCP UL94V-0, BLACK

CONTACTS = PHOSPHOR BRONZE

**FINISH: (OVER NICKEL)**

42 = 0.76 - 1.27  $\mu$  NICKEL ALL OVER,

GOLD ON CONTACT AREA,

2.54  $\mu$  100% TIN ON TAILS

**MECHANICAL:**

DURABILITY = 5000 CYCLES MAX

INSERTION FORCE = 2N MAX PER PIN

WITHDRAWAL FORCE = 0.2N MIN PER PIN

**ELECTRICAL:**

CURRENT RATING = 2A AC/DC

CONTACT RESISTANCE = 20m $\Omega$  MAX

INSULATION RESISTANCE = 1000M $\Omega$  MIN

DIELECTRIC WITHSTANDING = 500V AC FOR 1 MIN

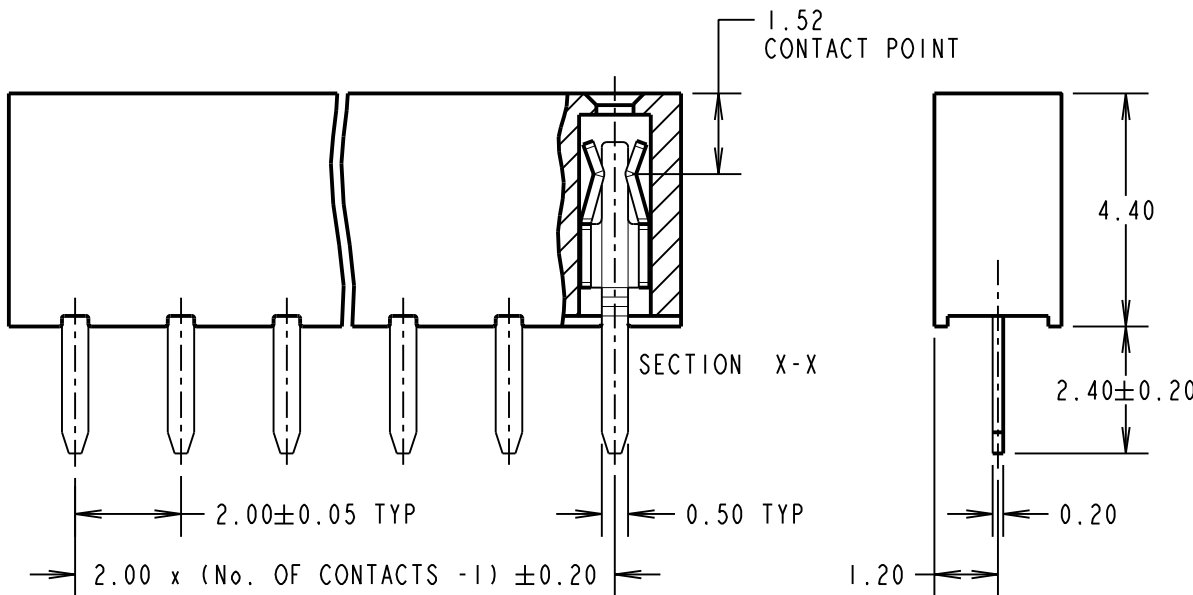
**ENVIRONMENTAL:**

TEMPERATURE RANGE = -25° TO +105°

**PACKING:**

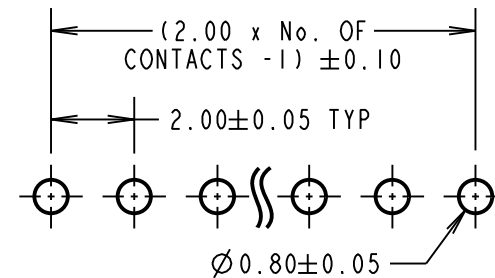
TUBE

FOR COMPLETE SPECIFICATION SEE COMPONENT SPECIFICATION C018XX (LATEST ISSUE)



**NOTE:**

1. ALL TOLERANCES ARE  $\pm 0.15$ , UNLESS OTHERWISE STATED.



RECOMMENDED PCB LAYOUT

MSP	9	26.10.16	13421
NAME	ISS.	DATE	C/NOTE
APPROVED:			
CHECKED:			
DRAWN:		J. EVANS	
CUSTOMER REF.:			
ASSEMBLY DRG:			

**HARWIN**

www.harwin.com  
technical@harwin.com

THIS DRAWING AND ANY INFORMATION OR DESCRIPTIVE MATTER SET OUT HEREON ARE CONFIDENTIAL AND COPYRIGHT PROPERTY OF THE HARWIN GROUP AND MUST NOT BE DISCLOSED, LOANED, COPIED OR USED FOR MANUFACTURING, TENDERING OR FOR ANY OTHER PURPOSE WITHOUT THEIR WRITTEN PERMISSION.

**TOLERANCES**  
X =  $\pm 1$ mm  
X.X =  $\pm 0.50$ mm  
X.XX =  $\pm 0.10$ mm  
X.XXX =  $\pm 0.01$ mm  
ANGLES =  $\pm 5^\circ$   
UNLESS STATED

**MATERIAL:**  
SEE ABOVE

**FINISH:**  
SEE ABOVE

**S/AREA:**  
mm<sup>2</sup>

**TITLE:**  
2.00mm PITCH SIL  
VERTICAL SOCKET ASSEMBLY

**DRAWING NUMBER:**  
**M22-713XXX**

SHT  
2 OF 2

## X-ON Electronics

Largest Supplier of Electrical and Electronic Components

*Click to view similar products for [Headers & Wire Housings](#) category:*

*Click to view products by [Harwin](#) manufacturer:*

Other Similar products are found below :

[892-18-020-10-001101](#) [58102-G61-06LF](#) [582553-1](#) [0009485154](#) [009176003701906](#) [0050291907](#) [LY20-4P-DT1-P1E-BR](#) [02.125.8002.8](#)  
[609-3404](#) [61062-3](#) [622-0430](#) [622-3653LF](#) [63453-116](#) [636-1030](#) [636-1427](#) [636-3427](#) [636-4007](#) [641938-9](#) [641991-4](#) [644827-2](#) [65817-010LF](#)  
[65817-015LF](#) [65863-015LF](#) [66207-023LF](#) [67095-007LF](#) [67601157](#) [68648-049](#) [70.362.1628.0](#) [70-4210](#) [70-4226B](#) [70-4853B](#) [707-5020](#) [707-](#)  
[5028](#) [71.350.2428.0](#) [71918-208LF](#) [71961-016LF](#) [733-134](#) [733-162](#) [754199-000](#) [760-3052](#) [787-8014-00](#) [79531-3000](#) [FCN-360C032-B](#) [FCN-](#)  
[367T-T012/H](#) [FCN-723D010/2](#) [80.063.4001.1](#) [800-90-001-10-001000](#) [800-90-010-10-002000](#) [801-43-002-10-013000](#) [801-43-006-10-002000](#)