

# Customer Information Sheet

DRAWING No.: M22-714XX42

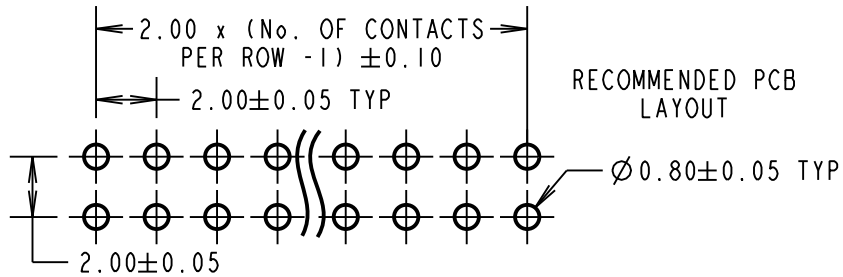
IF IN DOUBT - ASK

(C)

NOT TO SCALE

THIRD ANGLE PROJECTION

ALL DIMENSIONS IN mm



ORDER CODE:  
**M22-714XX42**

No. OF CONTACTS PER ROW: \_\_\_\_\_  
03 TO 25

FINISH: \_\_\_\_\_  
42 = GOLD FLASH ON CONTACT,  
100% TIN ON TAILS

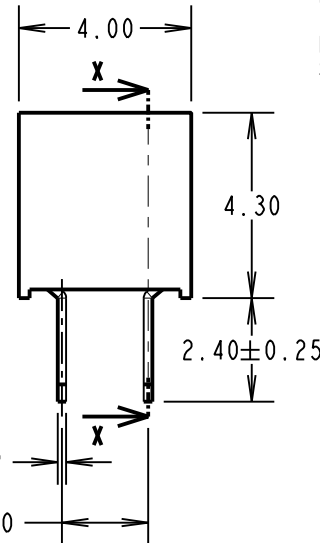
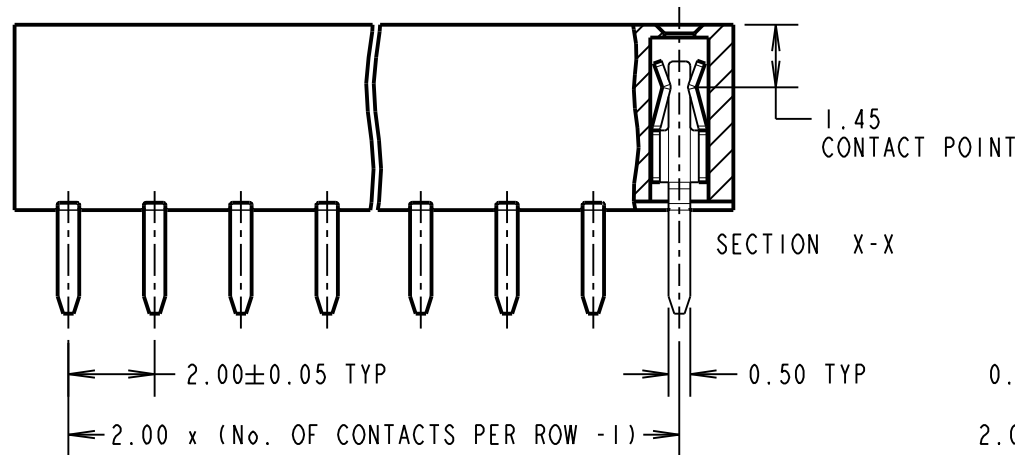
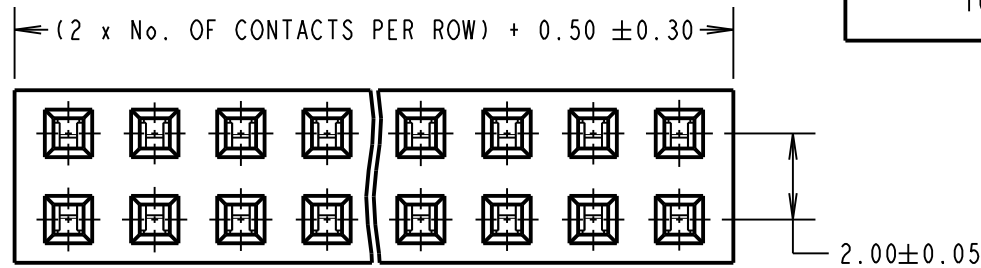
SPECIFICATION:  
MATERIAL:  
MOULDING = LCP UL94V-0, BLACK  
CONTACTS = PHOSPHOR BRONZE  
FINISH: (OVER NICKEL)  
42 = 0.76 - 1.27µ NICKEL ALL OVER,  
GOLD ON CONTACT AREA,  
2.54µ 100% TIN ON TAILS

MECHANICAL:  
DURABILITY = 5000 CYCLES MAX  
INSERTION FORCE = 2N MAX PER PIN  
WITHDRAWAL FORCE = 0.2N MIN PER PIN

ELECTRICAL:  
CURRENT RATING = 2A AC/DC  
CONTACT RESISTANCE = 20mΩ MAX  
INSULATION RESISTANCE = 5000MΩ MIN  
DIELECTRIC WITHSTANDING = 500V AC FOR 1 MIN

ENVIRONMENTAL:  
TEMPERATURE RANGE = -40° TO +105°

PACKING:  
TUBE  
FOR COMPLETE SPECIFICATION SEE COMPONENT SPECIFICATION C018XX (LATEST ISSUE)



NOTE:  
1. ALL TOLERANCES ARE ±0.15,  
UNLESS OTHERWISE STATED.

MSP	10	26.10.16	13421
NAME	ISS.	DATE	C/NOTE
APPROVED:		M.PERREN	
CHECKED:		S.BENNETT	
DRAWN:		J. EVANS	
CUSTOMER REF.:			
ASSEMBLY DRG:			

**HARWIN**

www.harwin.com  
technical@harwin.com

THIS DRAWING AND ANY INFORMATION OR DESCRIPTIVE MATTER SET OUT HEREON ARE CONFIDENTIAL AND COPYRIGHT PROPERTY OF THE HARWIN GROUP AND MUST NOT BE DISCLOSED, LOANED, COPIED OR USED FOR MANUFACTURING, TENDERING OR FOR ANY OTHER PURPOSE WITHOUT THEIR WRITTEN PERMISSION.

~~TOLERANCES~~  
X = ±1mm  
X.X = ±0.50mm  
X.XX = ±0.10mm  
X.XXX = ±0.01mm  
ANGLES = ±5°  
UNLESS STATED

MATERIAL: SEE ABOVE

FINISH: SEE ABOVE

S/AREA: mm<sup>2</sup>

TITLE:  
2.00mm PITCH DIL  
VERTICAL SOCKET ASSEMBLY

DRAWING NUMBER:  
**M22-714XX42**

SHT  
2 OF 2

## X-ON Electronics

Largest Supplier of Electrical and Electronic Components

*Click to view similar products for [Headers & Wire Housings](#) category:*

*Click to view products by [Harwin](#) manufacturer:*

Other Similar products are found below :

[892-18-020-10-001101](#) [58102-G61-06LF](#) [582553-1](#) [0009485154](#) [009176003701906](#) [0050291907](#) [LY20-4P-DT1-P1E-BR](#) [02.125.8002.8](#)  
[609-3404](#) [61062-3](#) [622-0430](#) [622-3653LF](#) [63453-116](#) [636-1030](#) [636-1427](#) [636-3427](#) [636-4007](#) [641938-9](#) [641991-4](#) [644827-2](#) [65817-010LF](#)  
[65817-015LF](#) [65863-015LF](#) [66207-023LF](#) [67095-007LF](#) [67601157](#) [68648-049](#) [70.362.1628.0](#) [70-4210](#) [70-4226B](#) [70-4853B](#) [707-5020](#) [707-](#)  
[5028](#) [71.350.2428.0](#) [71918-208LF](#) [71961-016LF](#) [733-134](#) [733-162](#) [754199-000](#) [760-3052](#) [787-8014-00](#) [79531-3000](#) [FCN-360C032-B](#) [FCN-](#)  
[367T-T012/H](#) [FCN-723D010/2](#) [80.063.4001.1](#) [800-90-001-10-001000](#) [800-90-010-10-002000](#) [801-43-002-10-013000](#) [801-43-006-10-002000](#)