

# Customer Information Sheet

DRAWING No.: M300-2241096F2

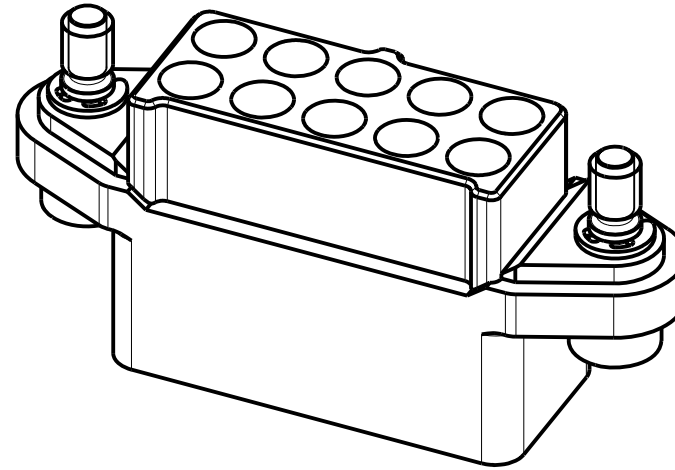
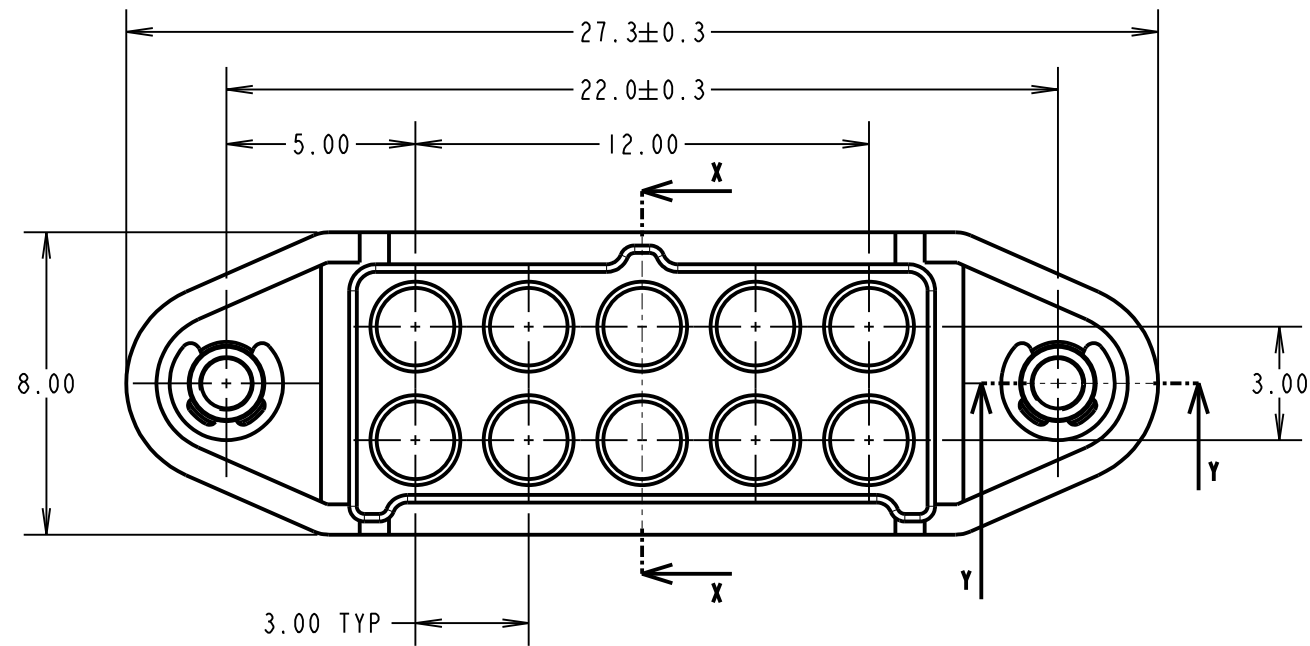
IF IN DOUBT - ASK

©

NOT TO SCALE

THIRD ANGLE PROJECTION

ALL DIMENSIONS IN mm



**SPECIFICATIONS:**

**MATERIAL:**  
 MOULDING = GLASS-FILLED PA46 UL94V-0, GREEN  
 CONTACT CLIP = BERYLLIUM COPPER  
 CONTACT SHELL = BRASS  
 JACKSCREW, CIRCLIP = STAINLESS STEEL  
**FINISH (ALL OVER NICKEL):**  
 0.10/0.17µ GOLD CLIP, 0.25/0.30µ GOLD SHELL

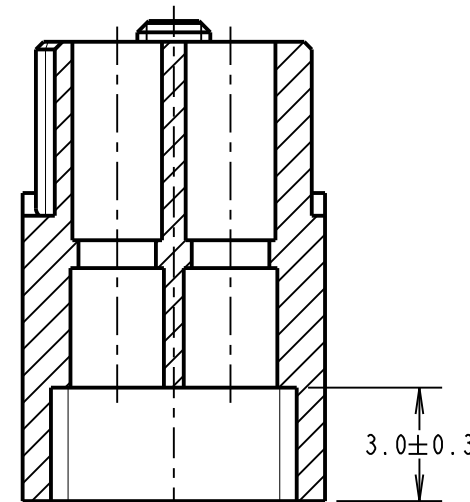
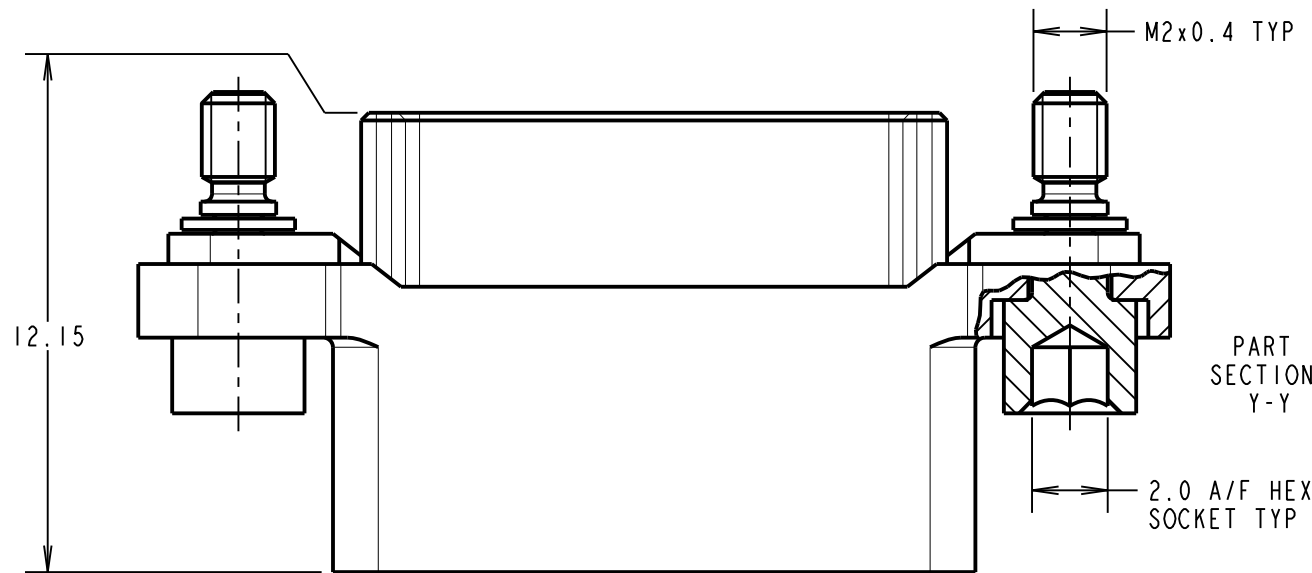
**ELECTRICAL:**  
**CURRENT RATING:**  
 5A MAX WITH 22 AWG M300-0020045 CONTACTS  
 10A MAX WITH 18 AWG M300-0010045 CONTACTS  
 WORKING VOLTAGE = 600V AC/DC  
 VOLTAGE PROOF = 1800V AC/DC  
 CONTACT RESISTANCE = 6mΩ MAX  
 INSULATION RESISTANCE = 100MΩ MIN

**MECHANICAL:**  
 DURABILITY = 1000 OPERATIONS  
 INSERTION FORCE (∅1.0mm GAUGE) = 9.0N MAX  
 WITHDRAWAL FORCE (∅1.0mm GAUGE) = 1.0N MIN

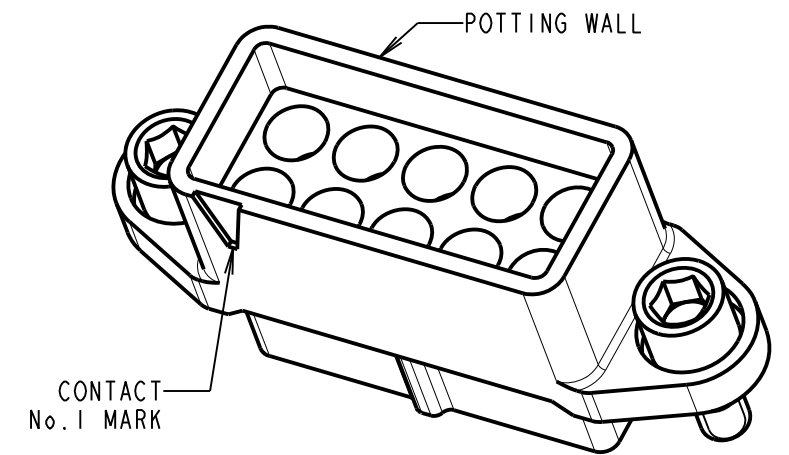
**ENVIRONMENTAL:**  
 TEMPERATURE RANGE = -65°C TO +175°C

**PACKING:**  
 BAG

FOR COMPLETE SPECIFICATION, SEE COMPONENT SPECIFICATION C048XX (LATEST ISSUE)



SECTION X-X



- NOTES:**
- FOR USE WITH M300-0010045 & M300-0020045 CONTACTS (NOT INCLUDED). M300-0010045 CONTACTS ARE SUITABLE FOR WIRE GAUGE 18 & 20 AWG. MAXIMUM INSULATION DIAMETER ∅1.80mm. M300-0020045 CONTACTS ARE SUITABLE FOR WIRE GAUGE 22 AWG. MAXIMUM INSULATION DIAMETER ∅1.40mm. BS3G210 TYPE A WIRE RECOMMENDED.
  - RECOMMENDED CRIMP TOOL = M22520/2-01, POSITIONER = Z80-058.
  - FOR INSTRUCTIONS ON HAND CRIMP TOOL M22520/2-01, SEE INSTRUCTION SHEET IS-01. STRIP WIRE BY 2.00mm FOR CRIMPING.
  - RECOMMENDED MATING PIN SIZE = ∅1.05-0.90mm.

MSP	1	09.12.15	13198
NAME	ISS.	DATE	C/NOTE
APPROVED: MGP			
CHECKED: SB			
DRAWN: MARK G PLESTED			
CUSTOMER REF.:			
ASSEMBLY DRG:			

**HARWIN**

www.harwin.com  
 technical@harwin.com

THIS DRAWING AND ANY INFORMATION OR DESCRIPTIVE MATTER SET OUT HEREON ARE CONFIDENTIAL AND COPYRIGHT PROPERTY OF THE HARWIN GROUP AND MUST NOT BE DISCLOSED, LOANED, COPIED OR USED FOR MANUFACTURING, TENDERING OR FOR ANY OTHER PURPOSE WITHOUT THEIR WRITTEN PERMISSION.

**TOLERANCES**  
 X. = ±1mm  
 X.X = ±0.50mm  
 X.XX = ±0.10mm  
 X.XXX = ±0.01mm  
 ANGLES = ±5°  
 UNLESS STATED

**MATERIAL:**  
 SEE ABOVE  
**FINISH:** SEE ABOVE  
**S/AREA:** mm<sup>2</sup>

**TITLE:** 1mm POWER CONNECTOR  
 DIL CRIMP HOUSING WITH  
 POTTING WALL FEMALE ASSEMBLY  
**DRAWING NUMBER:**  
 M300-2241096F2  
 SHT 2 OF 2

## X-ON Electronics

Largest Supplier of Electrical and Electronic Components

*Click to view similar products for [Headers & Wire Housings](#) category:*

*Click to view products by [Harwin](#) manufacturer:*

Other Similar products are found below :

[892-18-020-10-001101](#) [58102-G61-06LF](#) [582553-1](#) [0009485154](#) [009176003701906](#) [0050291907](#) [LY20-4P-DT1-P1E-BR](#) [02.125.8002.8](#)  
[609-3404](#) [61062-3](#) [622-0430](#) [622-3653LF](#) [63453-116](#) [636-1030](#) [636-1427](#) [636-3427](#) [636-4007](#) [641938-9](#) [641991-4](#) [644827-2](#) [65817-010LF](#)  
[65817-015LF](#) [65863-015LF](#) [66207-023LF](#) [67095-007LF](#) [67601157](#) [68648-049](#) [70.362.1628.0](#) [70-4210](#) [70-4226B](#) [70-4853B](#) [707-5020](#) [707-](#)  
[5028](#) [71.350.2428.0](#) [71918-208LF](#) [71961-016LF](#) [733-134](#) [733-162](#) [754199-000](#) [760-3052](#) [787-8014-00](#) [79531-3000](#) [FCN-360C032-B](#) [FCN-](#)  
[367T-T012/H](#) [FCN-723D010/2](#) [80.063.4001.1](#) [800-90-001-10-001000](#) [800-90-010-10-002000](#) [801-43-002-10-013000](#) [801-43-006-10-002000](#)