

# Customer Information Sheet

DRAWING No.: M30-600XX46

SHEET 2 OF 2

IF IN DOUBT - ASK

(C)

NOT TO SCALE

THIRD ANGLE PROJECTION

ALL DIMENSIONS IN mm

**SPECIFICATIONS:**

**MATERIAL:**

MOULDING = PA6T/66 NATURAL,  
UL94V-0

CONTACT = BRASS  
RETAINER = PHOSPHOR BRONZE

**FINISH:**

CONTACT = 2.03µ - 2.54µ 100% TIN  
OVER 0.76µ NICKEL

RETAINER = 2.03µ - 2.54µ 100% TIN  
OVER 0.76µ NICKEL

**ELECTRICAL:**

CURRENT RATING = 1A AC/DC

VOLTAGE RATING = 150V AC/DC

CONTACT RESISTANCE = 30mΩ MAX

INSULATION RESISTANCE = 500 MΩ MIN

DIELECTRIC WITHSTANDING VOLTAGE = 500V AC  
FOR ONE MINUTE

**ENVIRONMENTAL:**

TEMPERATURE RANGE = -25° TO +85°C

**PACKING:** TUBE

FOR COMPLETE SPECIFICATION,  
SEE COMPONENT SPECIFICATION  
C025XX (LATEST ISSUE)

ORDER CODE:

**M30-600XX46**

No. OF CONTACTS

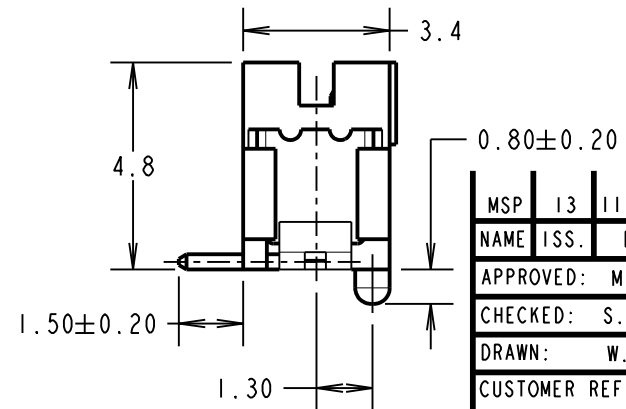
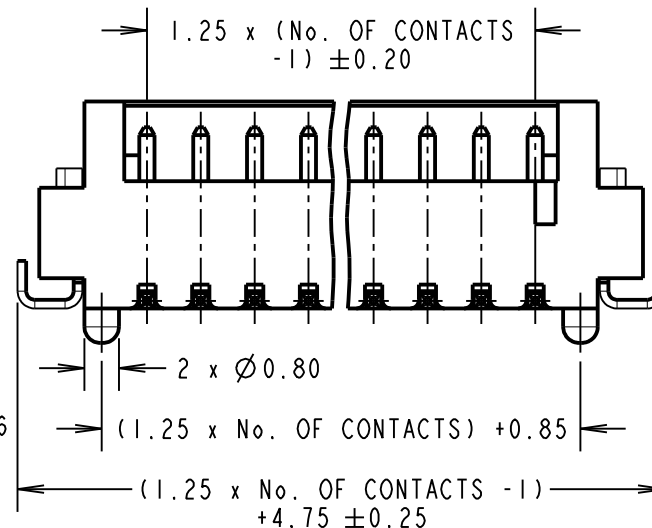
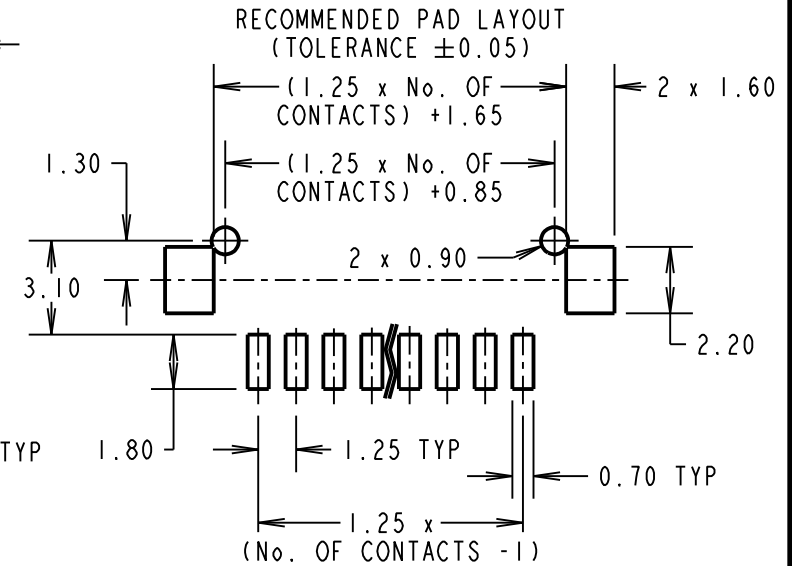
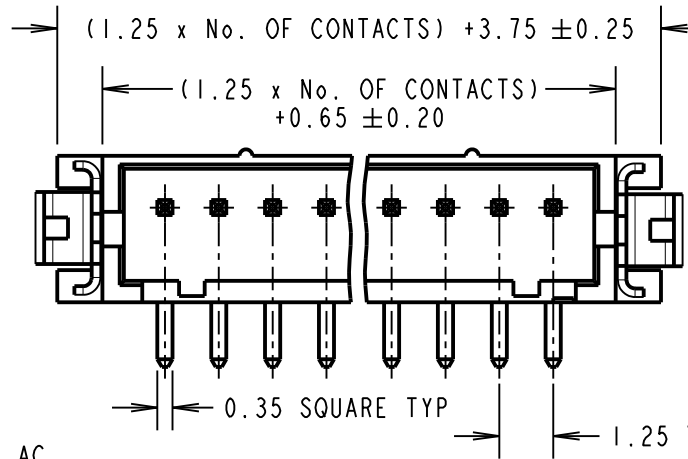
02 TO 15

FINISH:

46 = 100% TIN

**NOTES:**

- MATES WITH M30-1050046 AND M30-1060046 CRIMP CONTACTS, WITH M30-110XX00 CRIMP MOULDING.
- COPLANARITY OF CONTACTS AND RETAINER TO BE 0.1mm MAX.



MSP 13 11.08.17 20667

NAME ISS. DATE C/NOTE

APPROVED: M.PERREN

CHECKED: S.BENNETT

DRAWN: W.J.BOURNE

CUSTOMER REF.:

ASSEMBLY DRG:

**HARWIN**

www.harwin.com  
technical@harwin.com

THIS DRAWING AND ANY INFORMATION OR DESCRIPTIVE MATTER SET OUT HEREON ARE CONFIDENTIAL AND COPYRIGHT PROPERTY OF THE HARWIN GROUP AND MUST NOT BE DISCLOSED, LOANED, COPIED OR USED FOR MANUFACTURING, TENDERING OR FOR ANY OTHER PURPOSE WITHOUT THEIR WRITTEN PERMISSION.

**TOLERANCES**

X. = ±1mm  
X.X = ±0.50mm  
X.XX = ±0.10mm  
X.XXX = ±0.01mm  
ANGLES = ±5°  
UNLESS STATED

**MATERIAL:**

SEE ABOVE

FINISH: SEE ABOVE

S/AREA: mm<sup>2</sup>

**TITLE:**

1.25mm PITCH SIL  
SMT BOARD MOUNT CONNECTOR

**DRAWING NUMBER:**

**M30-600XX46**

SHT

2 OF 2

## X-ON Electronics

Largest Supplier of Electrical and Electronic Components

*Click to view similar products for [Headers & Wire Housings](#) category:*

*Click to view products by [Harwin](#) manufacturer:*

Other Similar products are found below :

[892-18-020-10-001101](#) [58102-G61-06LF](#) [582553-1](#) [0009485154](#) [009176003701906](#) [0050291907](#) [LY20-4P-DT1-P1E-BR](#) [02.125.8002.8](#)  
[609-3404](#) [61062-3](#) [622-0430](#) [622-3653LF](#) [63453-116](#) [636-1030](#) [636-1427](#) [636-3427](#) [636-4007](#) [641938-9](#) [641991-4](#) [644827-2](#) [65817-010LF](#)  
[65817-015LF](#) [65863-015LF](#) [66207-023LF](#) [67095-007LF](#) [67601157](#) [68648-049](#) [70.362.1628.0](#) [70-4210](#) [70-4226B](#) [70-4853B](#) [707-5020](#) [707-](#)  
[5028](#) [71.350.2428.0](#) [71918-208LF](#) [71961-016LF](#) [733-134](#) [733-162](#) [754199-000](#) [760-3052](#) [787-8014-00](#) [79531-3000](#) [FCN-360C032-B](#) [FCN-](#)  
[367T-T012/H](#) [FCN-723D010/2](#) [80.063.4001.1](#) [800-90-001-10-001000](#) [800-90-010-10-002000](#) [801-43-002-10-013000](#) [801-43-006-10-002000](#)