

Customer Information Sheet

DRAWING No.: M30-600XX46R

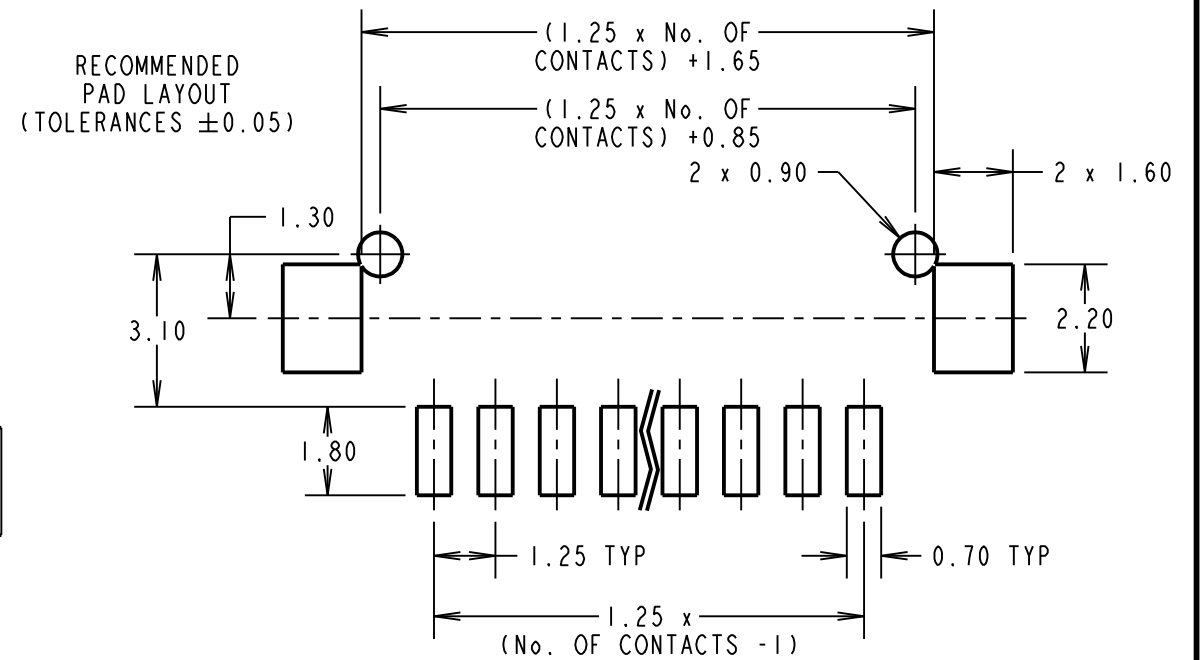
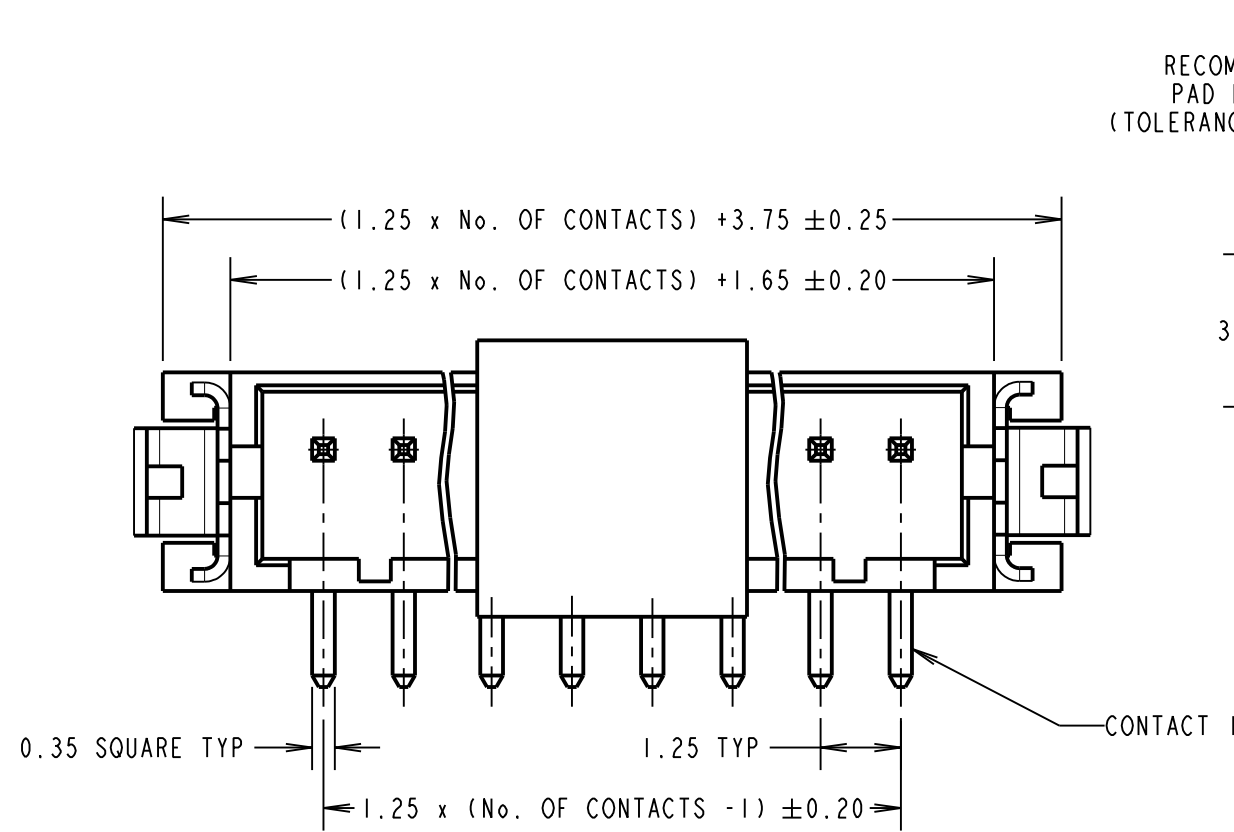
IF IN DOUBT - ASK

©

NOT TO SCALE

THIRD ANGLE PROJECTION

ALL DIMENSIONS IN mm



SPECIFICATIONS:

MATERIAL:

MOULDING = PA6T/66 NATURAL, UL94V-0
 CONTACT = BRASS
 RETAINER = PHOSPHOR BRONZE

FINISH:

CONTACT = $2.03\mu - 2.54\mu$ 100% TIN OVER 0.76μ NICKEL
 RETAINER = $2.03\mu - 2.54\mu$ 100% TIN OVER 0.76μ NICKEL

ELECTRICAL:

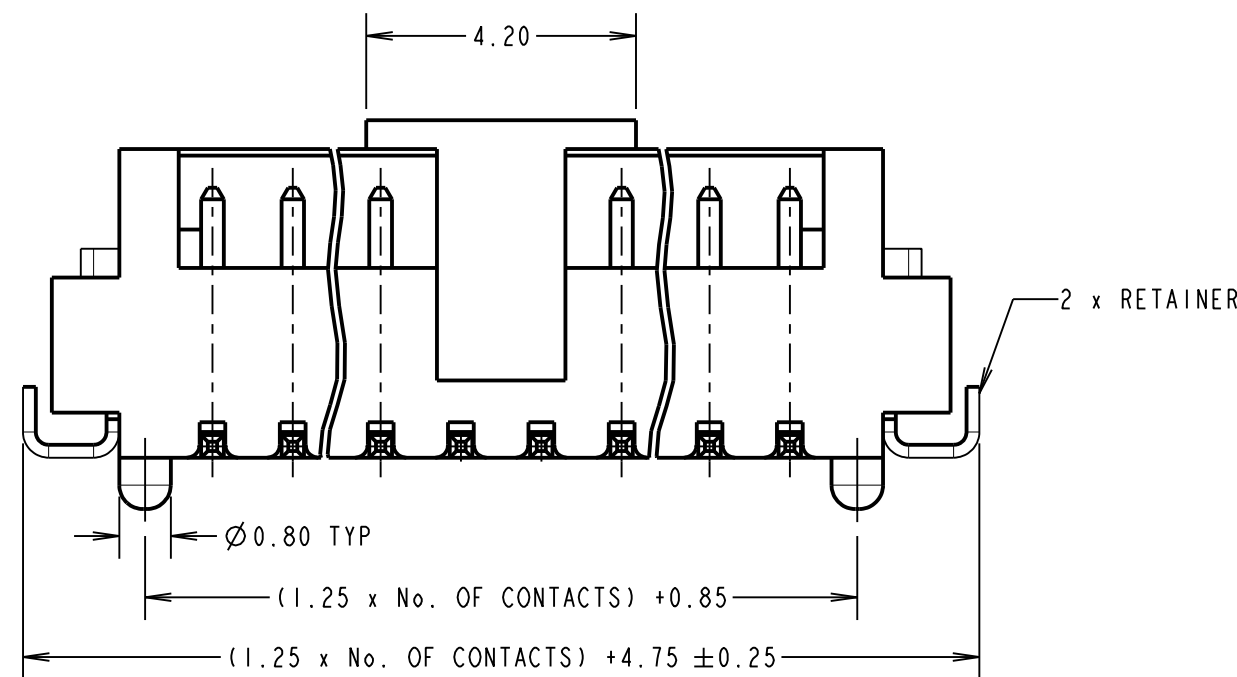
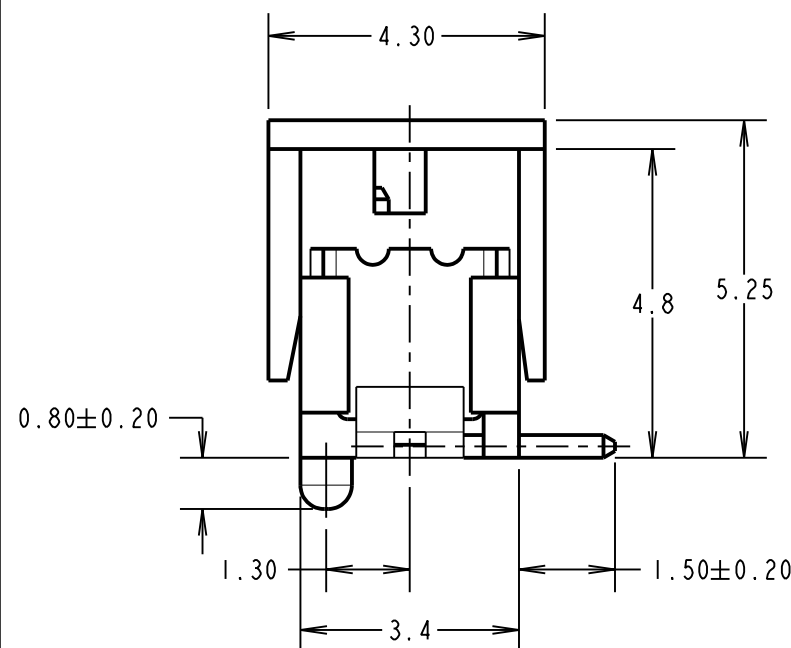
CURRENT RATING = 1A AC/DC
 VOLTAGE RATING = 150V AC/DC
 CONTACT RESISTANCE = $30m\Omega$ MAX
 INSULATION RESISTANCE = $500 M\Omega$ MIN
 DIELECTRIC WITHSTANDING VOLTAGE = 500V AC FOR ONE MINUTE

ENVIRONMENTAL:

TEMPERATURE RANGE = -25° TO $+85^\circ\text{C}$

PACKING: TAPE AND REEL

FOR COMPLETE SPECIFICATION, SEE COMPONENT SPECIFICATION C025XX (LATEST ISSUE)



ORDER CODE:
M30-600XX46R
 No. OF CONTACTS
 02 TO 15
 FINISH:
 46 = 100% TIN

MSP	8	11.08.17	20667
NAME	ISS.	DATE	C/NOTE
APPROVED: M.PERREN			
CHECKED: S.BENNETT			
DRAWN: JM BROOKES			
CUSTOMER REF.:			
ASSEMBLY DRG:			

- NOTES:
- FOR REELING DETAILS SEE PAGE 4.
 - MATES WITH M30-1050046 AND M30-1060046 CRIMP CONTACTS.
MATES WITH M30-110XX00 CRIMP MOULDING.
 - COPLANARITY OF CONTACTS AND RETAINER TO BE 0.1mm MAX.

HARWIN

www.harwin.com
 technical@harwin.com

THIS DRAWING AND ANY INFORMATION OR DESCRIPTIVE MATTER SET OUT HEREON ARE CONFIDENTIAL AND COPYRIGHT PROPERTY OF THE HARWIN GROUP AND MUST NOT BE DISCLOSED, LOANED, COPIED OR USED FOR MANUFACTURING, TENDERING OR FOR ANY OTHER PURPOSE WITHOUT THEIR WRITTEN PERMISSION.

TOLERANCES
 X. = $\pm 1\text{mm}$
 X.X = $\pm 0.25\text{mm}$
 X.XX = $\pm 0.10\text{mm}$
 X.XXX = $\pm 0.01\text{mm}$
 ANGLES = $\pm 5^\circ$
 UNLESS STATED

MATERIAL: SEE ABOVE
 FINISH: SEE ABOVE
 S/AREA: mm²

TITLE: 1.25mm PITCH SIL SMT BOARD MOUNT CONNECTOR (TAPE AND REEL)

DRAWING NUMBER: **M30-600XX46R**

SHT 3 OF 4

Customer Information Sheet

DRAWING No.: M30-600XX46R

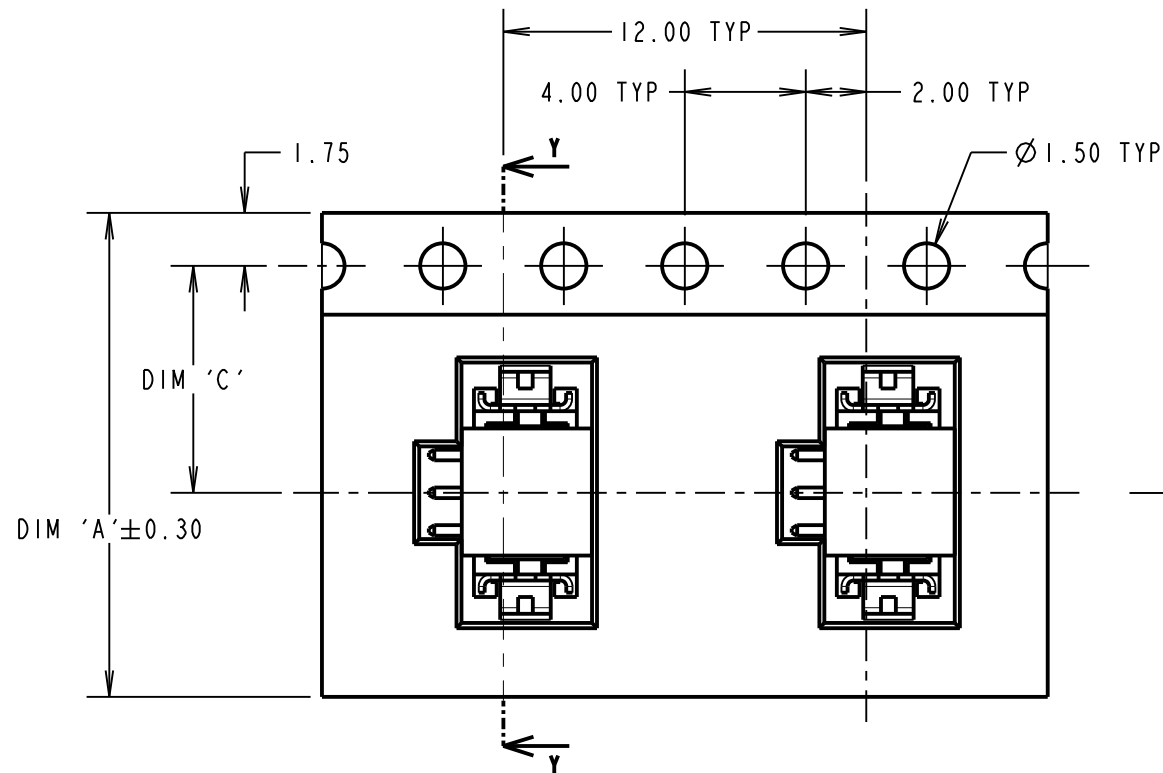
IF IN DOUBT - ASK

©

NOT TO SCALE

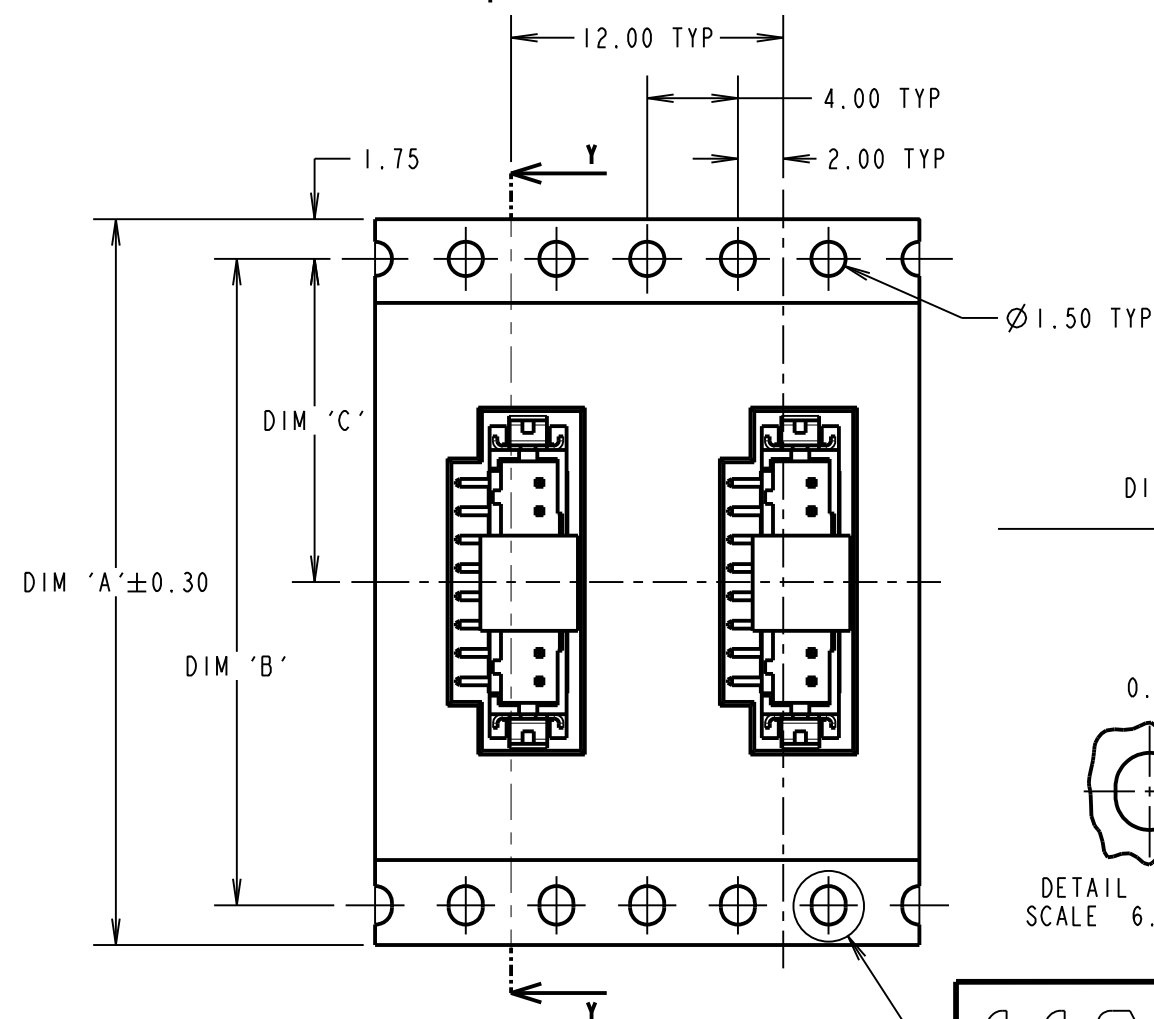
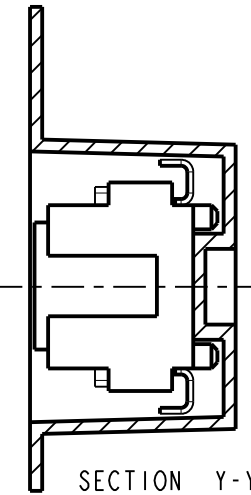
THIRD ANGLE PROJECTION

ALL DIMENSIONS IN mm



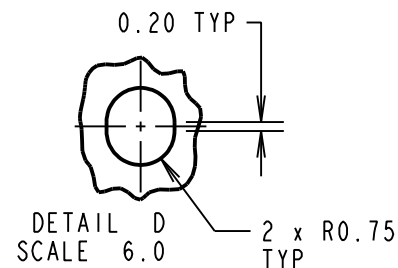
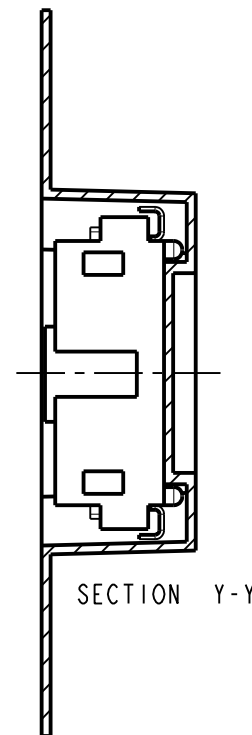
TAPE DETAILS FOR 2 TO 9 CONTACTS

TAPE DIRECTION



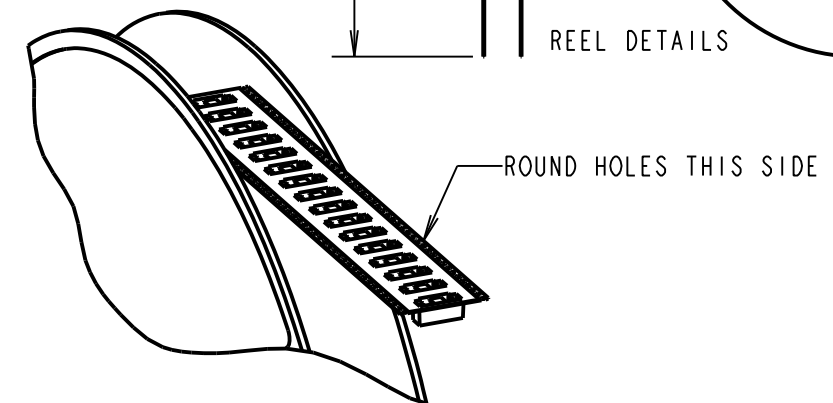
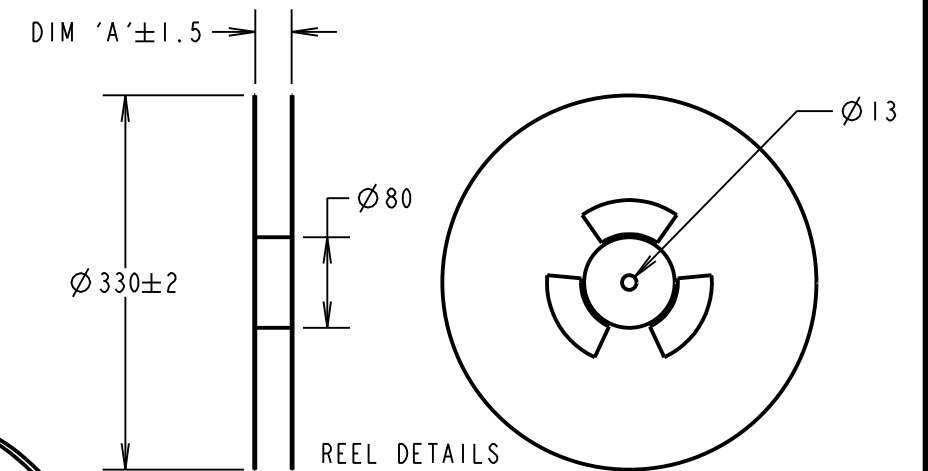
TAPE DETAILS FOR 10 TO 15 CONTACTS

TAPE DIRECTION



SEE DETAIL D

No. OF WAYS	DIM 'A'	DIM 'B'	DIM 'C'	QTY/REEL
2	16	---	7.5	1000
3	16	---	7.5	1000
4	24	---	11.5	1000
5	24	---	11.5	1000
6	24	---	11.5	1000
7	24	---	11.5	1000
8	24	---	11.5	1000
9	24	---	11.5	1000
10	32	28.4	14.2	1000
11	32	28.4	14.2	1000
12	32	28.4	14.2	1000
13	32	28.4	14.2	1000
14	32	28.4	14.2	1000
15	32	28.4	14.2	1000



- NOTES:
 1. FOR CONNECTOR DIMENSIONS, SEE SHEET 3.
 2. ALL TOLERANCES ARE ±0.15 UNLESS OTHERWISE STATED.

MSP	8	11.08.17	20667
NAME	ISS.	DATE	C/NOTE
APPROVED:		M. PERREN	
CHECKED:		S. BENNETT	
DRAWN:		JM BROOKES	
CUSTOMER REF.:			
ASSEMBLY DRG:			

HARWIN

www.harwin.com
 technical@harwin.com

THIS DRAWING AND ANY INFORMATION OR DESCRIPTIVE MATTER SET OUT HEREON ARE CONFIDENTIAL AND COPYRIGHT PROPERTY OF THE HARWIN GROUP AND MUST NOT BE DISCLOSED, LOANED, COPIED OR USED FOR MANUFACTURING, TENDERING OR FOR ANY OTHER PURPOSE WITHOUT THEIR WRITTEN PERMISSION.

TOLERANCES
 X. = ±1mm
 X.X = ±0.50mm
 X.XX = ±0.10mm
 X.XXX = ±0.01mm
 ANGLES = ±5°
 UNLESS STATED

MATERIAL: SEE SHEET 3
 FINISH: SEE SHEET 3
 S/AREA: mm²

TITLE: 1.25mm PITCH SIL SMT BOARD MOUNT CONNECTOR (TAPE AND REEL)

DRAWING NUMBER: M30-600XX46R

SHT 4 OF 4

X-ON Electronics

Largest Supplier of Electrical and Electronic Components

Click to view similar products for [Headers & Wire Housings](#) category:

Click to view products by [Harwin](#) manufacturer:

Other Similar products are found below :

[892-18-020-10-001101](#) [58102-G61-06LF](#) [582553-1](#) [0009485154](#) [009176003701906](#) [0050291907](#) [LY20-4P-DT1-P1E-BR](#) [02.125.8002.8](#)
[609-3404](#) [61062-3](#) [622-0430](#) [622-3653LF](#) [63453-116](#) [636-1030](#) [636-1427](#) [636-3427](#) [636-4007](#) [641938-9](#) [641991-4](#) [644827-2](#) [65817-010LF](#)
[65817-015LF](#) [65863-015LF](#) [66207-023LF](#) [67095-007LF](#) [67601157](#) [68648-049](#) [70.362.1628.0](#) [70-4210](#) [70-4226B](#) [70-4853B](#) [707-5020](#) [707-](#)
[5028](#) [71.350.2428.0](#) [71918-208LF](#) [71961-016LF](#) [733-134](#) [733-162](#) [754199-000](#) [760-3052](#) [787-8014-00](#) [79531-3000](#) [FCN-360C032-B](#) [FCN-](#)
[367T-T012/H](#) [FCN-723D010/2](#) [80.063.4001.1](#) [800-90-001-10-001000](#) [800-90-010-10-002000](#) [801-43-002-10-013000](#) [801-43-006-10-002000](#)