

Customer Information Sheet

DRAWING No.: M3497-98

SHEET 2 OF 2

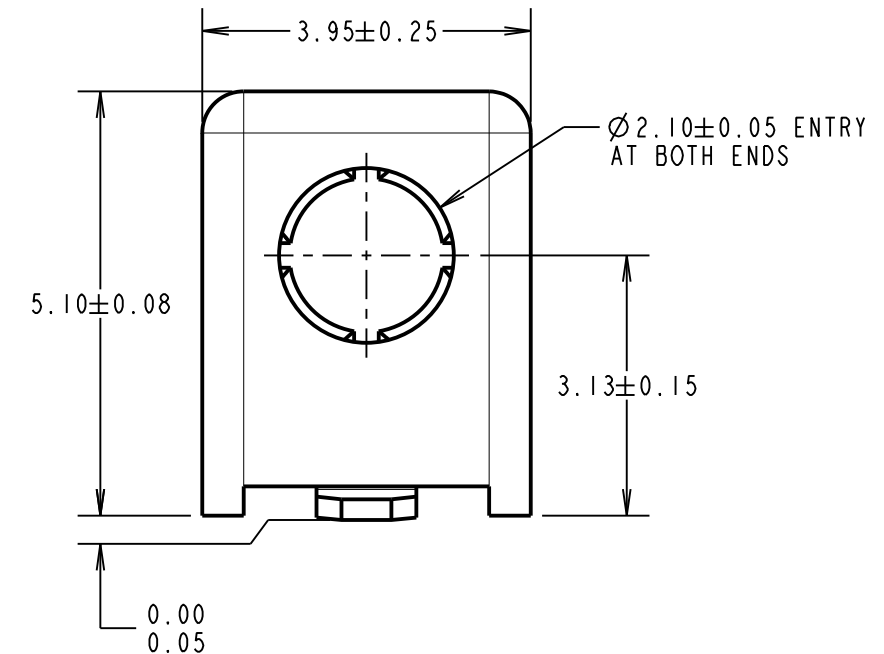
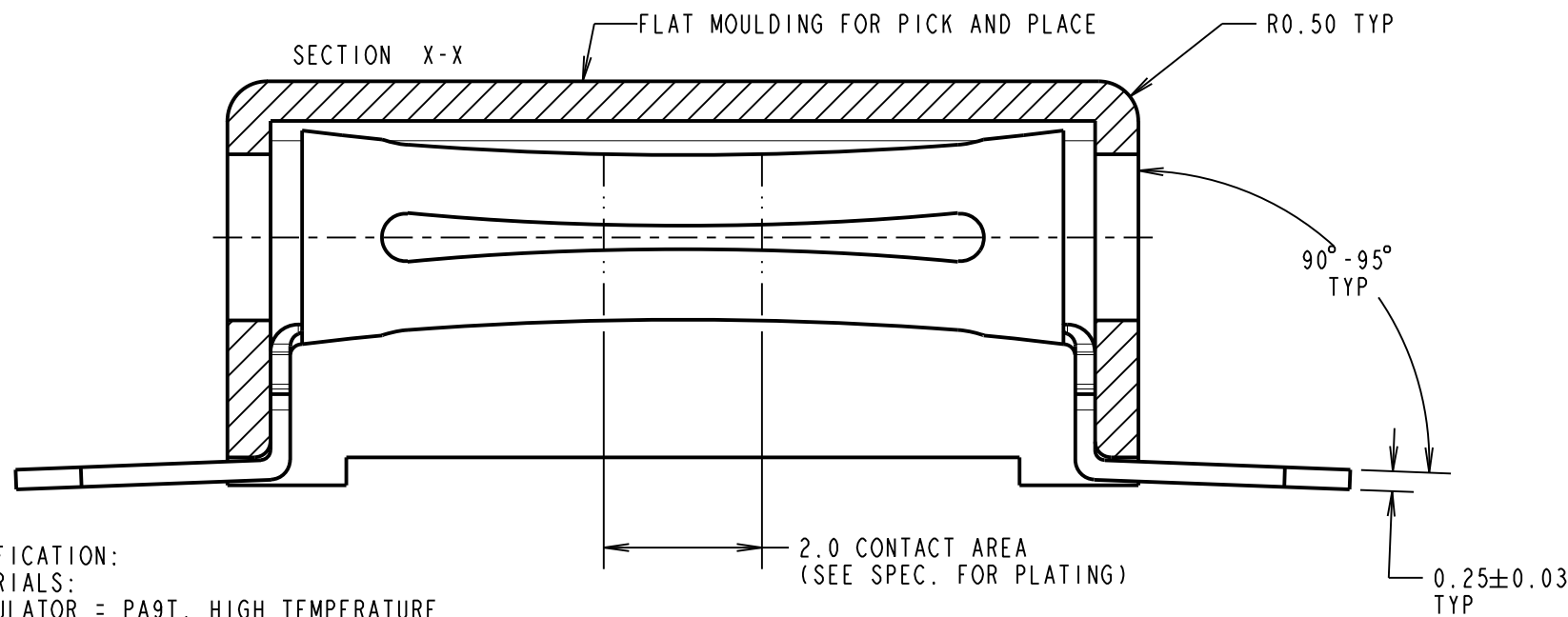
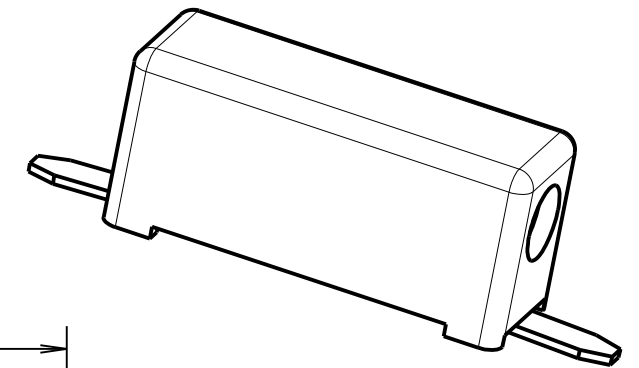
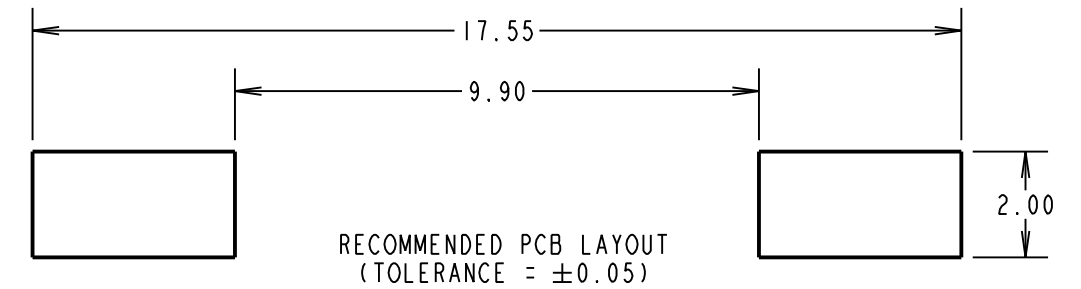
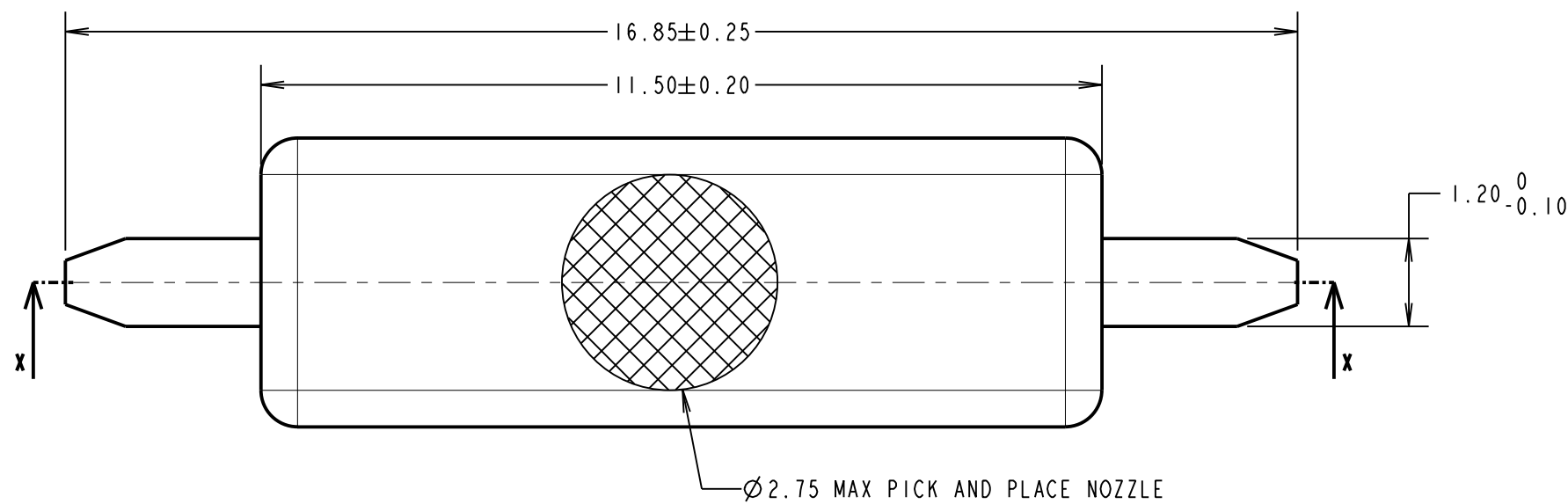
IF IN DOUBT - ASK

©

NOT TO SCALE

THIRD ANGLE PROJECTION

ALL DIMENSIONS IN mm



SPECIFICATION:

MATERIALS:
INSULATOR = PA9T, HIGH TEMPERATURE THERMOPLASTIC, UL94V-0, BLACK

CONTACT = PHOSPHOR BRONZE

FINISH:
CONTACT = 1.00µ - 3.05µ NICKEL ALL OVER, 0.254µ GOLD ON CONTACT AREA, GOLD FLASH ON TAILS.

ELECTRICAL:
CURRENT RATING = 5A
VOLTAGE RATING = 1,500V AC/DC
INSULATION RESISTANCE = 1000MΩ MIN
CONTACT RESISTANCE = 5mΩ MAX

MECHANICAL:
INSERTION FORCE = 22.2N MAX (Ø2.03mm PROBE)
WITHDRAWAL FORCE = 2.2N MIN (Ø2.03mm PROBE)
DURABILITY = 100 CYCLES

ENVIRONMENTAL:
OPERATING TEMPERATURE = -40°C TO +105°C

PACKAGING:
50 PARTS IN BAG:
TEN PARTS IN CUT STRIP, FIVE STRIPS ARE PACKED IN BAG

- NOTES:**
- PART TO BE SUPPLIED IN CUT STRIPS OF TAPE USED IN REELED VERSION. FOR REELED VERSION, SEE DRAWING M3497-98R.
 - RECOMMENDED MATING PROBE: Ø2.01mm MIN TO Ø2.05mm MAX.

SB	2	10.04.14	12442
NAME	ISS.	DATE	C/NOTE
APPROVED:		S.BENNETT	
CHECKED:		S.FLOWER	
DRAWN:		S.BENNETT	
CUSTOMER REF.:			
ASSEMBLY DRG:			

HARWIN

www.harwin.com
technical@harwin.com

THIS DRAWING AND ANY INFORMATION OR DESCRIPTIVE MATTER SET OUT HEREON ARE CONFIDENTIAL AND COPYRIGHT PROPERTY OF THE HARWIN GROUP AND MUST NOT BE DISCLOSED, LOANED, COPIED OR USED FOR MANUFACTURING, TENDERING OR FOR ANY OTHER PURPOSE WITHOUT THEIR WRITTEN PERMISSION.

TOLERANCES
X. = ±1mm
X.X = ±0.25mm
X.XX = ±0.10mm
X.XXX = ±0.01mm
ANGLES = ±5°
UNLESS STATED

MATERIAL:
SEE ABOVE
FINISH: SEE ABOVE
S/AREA: mm²

TITLE:
SMT TEST JACK
IN CUT STRIPS

DRAWING NUMBER:
M3497-98

SHT
2 OF 2

X-ON Electronics

Largest Supplier of Electrical and Electronic Components

Click to view similar products for [Test Plugs & Test Jacks](#) category:

Click to view products by [Harwin](#) manufacturer:

Other Similar products are found below :

[01-2601-4-0210](#) [01-2601-4-0212](#) [01-2604-4-0212](#) [01-2604-5-0210](#) [01-2150-1-0312](#) [01-2350-1-02](#) [01-2352-1-02](#) [01-2368-1-02](#) [01-2604-4-0210](#) [01-2604-5-0212](#) [01-2606-4-0210](#) [01-2606-4-0212](#) [01-2606-5-0212](#) [M39024/10-01G](#) [M39024/10-17G](#) [M39024/11-09G](#) [M39024/11-42](#) [M39024/11-43](#) [M39024/12-08](#) [707-5311](#) [707-5402-01-19](#) [707-5410](#) [923739-40-I](#) [R644543000](#) [R948161000](#) [R999351000](#) [1408-4](#) [1499-101](#) [1533-1](#) [1659559](#) [1659567](#) [1663921](#) [1663939](#) [1696-102](#) [174-R825B-EX](#) [NYS508-BU](#) [NYS508-O](#) [211-101](#) [RS100GBL](#) [RS250GBL](#) [251-102](#) [25-2251-2-03](#) [25-2259-2-03](#) [923743-16-I](#) [923743-24-I](#) [923743-28-I](#) [2854-BLU](#) [2970-BLK](#) [30-443G](#) [1680](#)