

Customer Information Sheet

DRAWING No.: M3497-98R

SHEET 2 OF 2

IF IN DOUBT - ASK

©

NOT TO SCALE

THIRD ANGLE PROJECTION

ALL DIMENSIONS IN mm

SPECIFICATION:

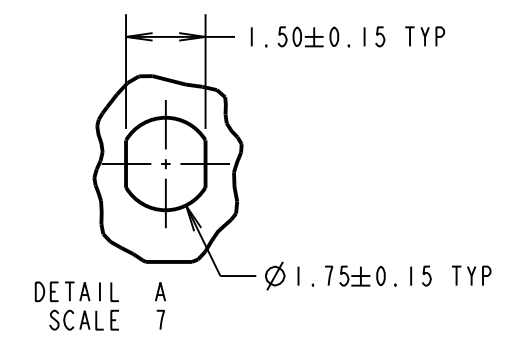
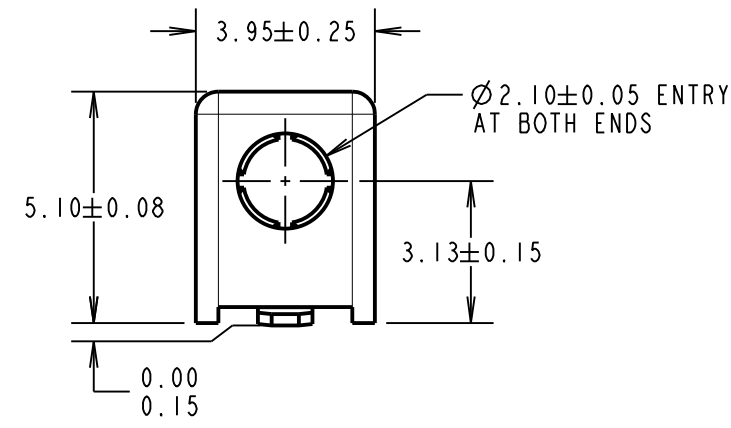
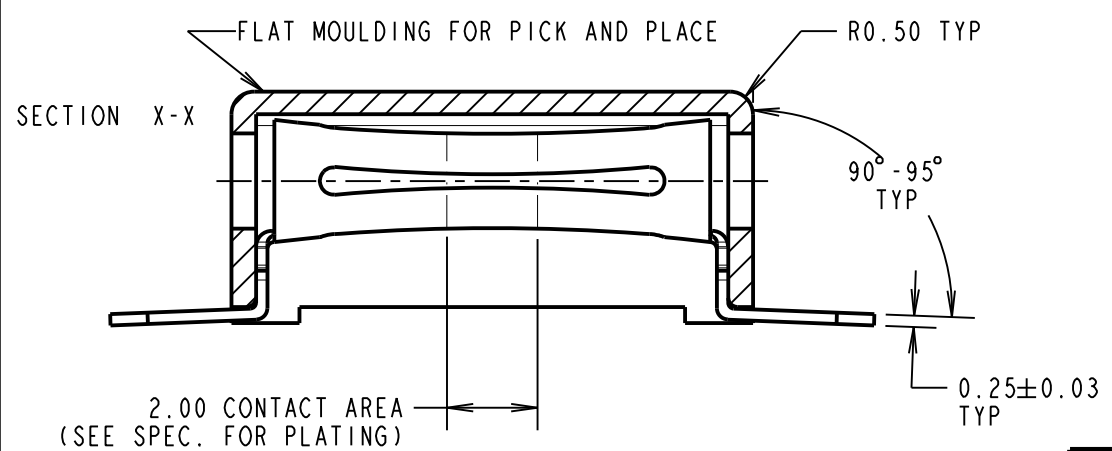
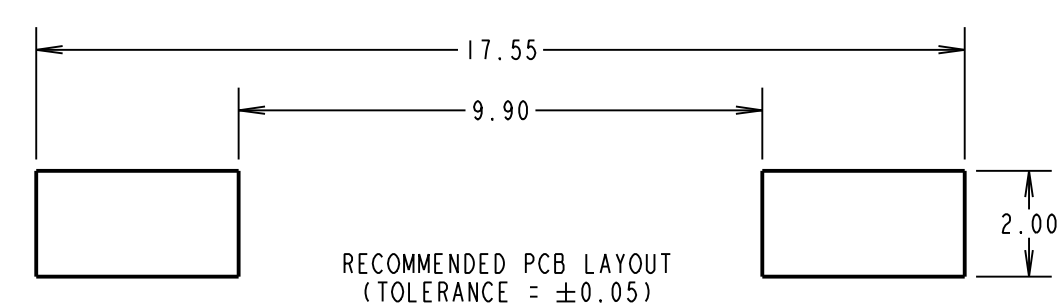
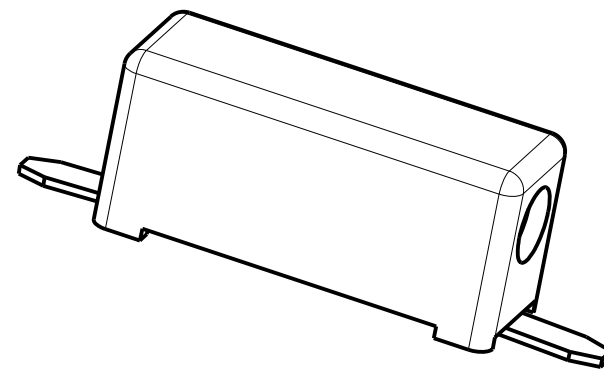
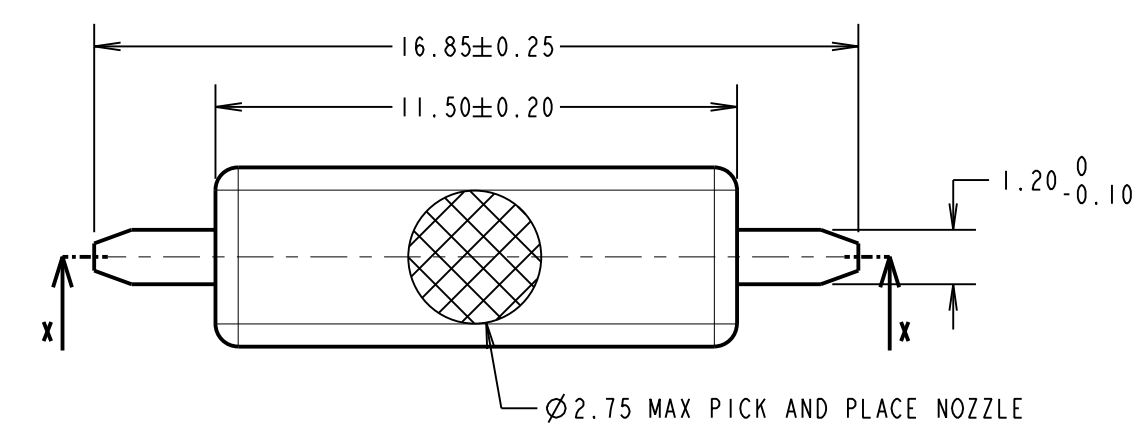
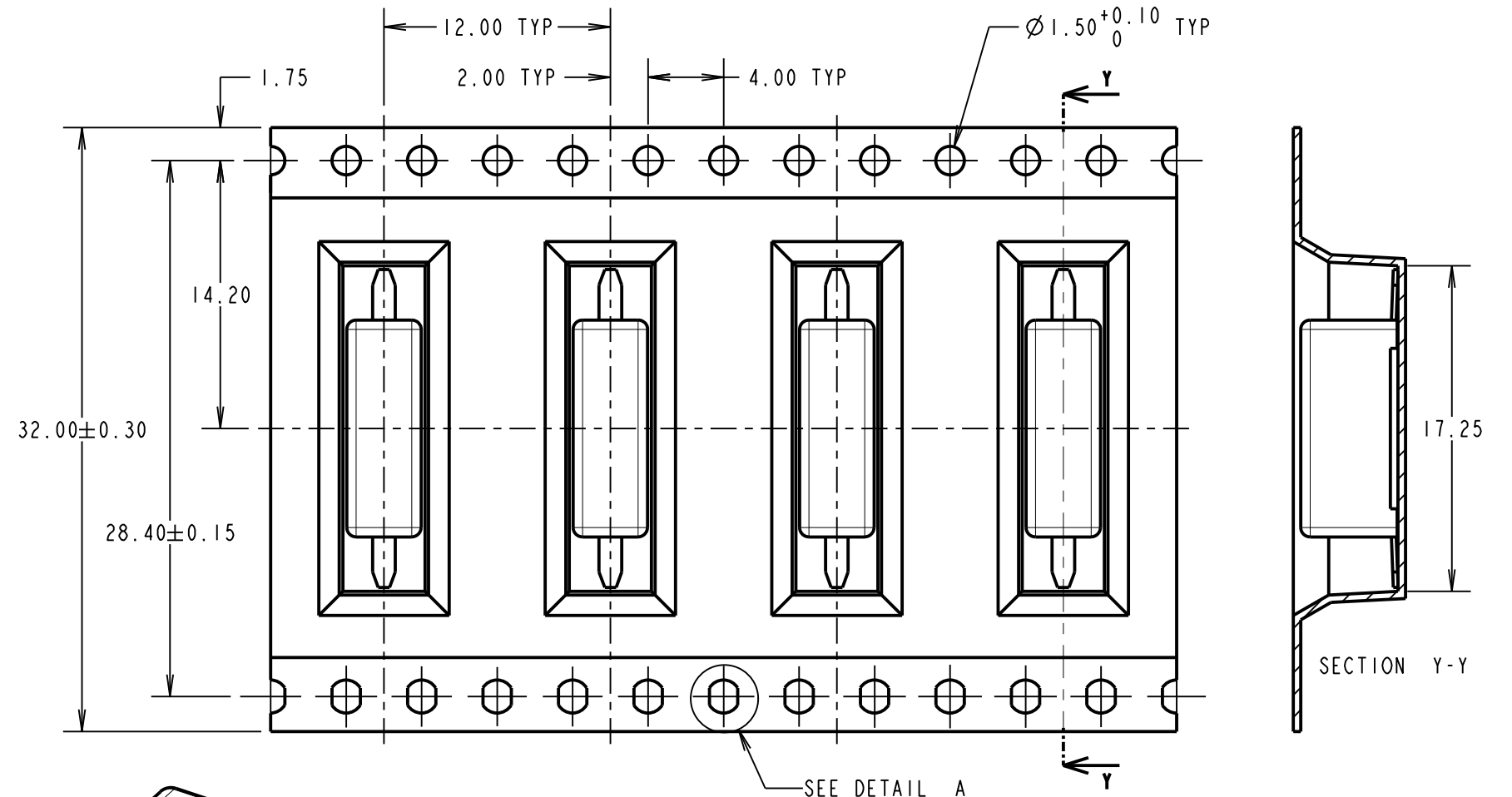
MATERIALS:
 INSULATOR = PA9T, HIGH TEMPERATURE THERMOPLASTIC, UL94V-0, BLACK
 CONTACT = PHOSPHOR BRONZE
FINISH:
 CONTACT = 1.00µ - 3.05µ NICKEL ALL OVER, 0.254µ GOLD ON CONTACT AREA, GOLD FLASH ON TAILS.

ELECTRICAL:
 CURRENT RATING = 5A
 VOLTAGE RATING = 1,500V AC/DC
 INSULATION RESISTANCE = 1000MΩ MIN
 CONTACT RESISTANCE = 5mΩ MAX

MECHANICAL:
 INSERTION FORCE = 22.2N MAX (Ø2.03mm PROBE)
 WITHDRAWAL FORCE = 2.2N MIN (Ø2.03mm PROBE)
 DURABILITY = 100 CYCLES

ENVIRONMENTAL:
 OPERATING TEMPERATURE = -40°C TO +105°C

PACKAGING:
 TAPE AND REEL = 1000 PER REEL



| | | | |
|----------------|------|------------|--------|
| SB | 5 | 10.04.14 | 12442 |
| NAME | ISS. | DATE | C/NOTE |
| APPROVED: | | S. BENNETT | |
| CHECKED: | | S. FLOWER | |
| DRAWN: | | S. BENNETT | |
| CUSTOMER REF.: | | | |
| ASSEMBLY DRG: | | | |

NOTES:
 1. FOR PRODUCT IN CUT STRIP PACKAGING, SEE DRAWING M3497-98.
 2. RECOMMENDED MATING PROBE: Ø2.01mm MIN TO Ø2.05mm MAX.

HARWIN
 www.harwin.com
 technical@harwin.com

THIS DRAWING AND ANY INFORMATION OR DESCRIPTIVE MATTER SET OUT HEREON ARE CONFIDENTIAL AND COPYRIGHT PROPERTY OF THE HARWIN GROUP AND MUST NOT BE DISCLOSED, LOANED, COPIED OR USED FOR MANUFACTURING, TENDERING OR FOR ANY OTHER PURPOSE WITHOUT THEIR WRITTEN PERMISSION.

TOLERANCES
 X. = ±1mm
 X.X = ±0.25mm
 X.XX = ±0.10mm
 X.XXX = ±0.01mm
 ANGLES = ±5°
 UNLESS STATED

MATERIAL:
 SEE ABOVE
FINISH: SEE ABOVE
S/AREA: mm²

TITLE:
 SMT TEST JACK
 IN TAPE AND REEL
DRAWING NUMBER:
 M3497-98R
 SHT 2 OF 2

X-ON Electronics

Largest Supplier of Electrical and Electronic Components

Click to view similar products for [Test Plugs & Test Jacks](#) category:

Click to view products by [Harwin](#) manufacturer:

Other Similar products are found below :

[01-2601-4-0210](#) [01-2601-4-0212](#) [01-2604-4-0212](#) [01-2604-5-0210](#) [01-2150-1-0312](#) [01-2350-1-02](#) [01-2352-1-02](#) [01-2368-1-02](#) [01-2604-4-0210](#) [01-2604-5-0212](#) [01-2606-4-0210](#) [01-2606-4-0212](#) [01-2606-5-0212](#) [M39024/10-01G](#) [M39024/10-17G](#) [M39024/11-09G](#) [M39024/11-42](#) [M39024/11-43](#) [M39024/12-08](#) [707-5311](#) [707-5402-01-19](#) [707-5410](#) [923739-40-I](#) [R644543000](#) [R948161000](#) [R999351000](#) [1408-4](#) [1499-101](#) [1533-1](#) [1659559](#) [1659567](#) [1663921](#) [1663939](#) [1696-102](#) [174-R825B-EX](#) [NYS508-BU](#) [NYS508-O](#) [211-101](#) [RS100GBL](#) [RS250GBL](#) [251-102](#) [25-2251-2-03](#) [25-2259-2-03](#) [923743-16-I](#) [923743-24-I](#) [923743-28-I](#) [2854-BLU](#) [2970-BLK](#) [30-443G](#) [1680](#)