

Customer Information Sheet

DRAWING No.: M40-620XX46

SHEET 2 OF 2

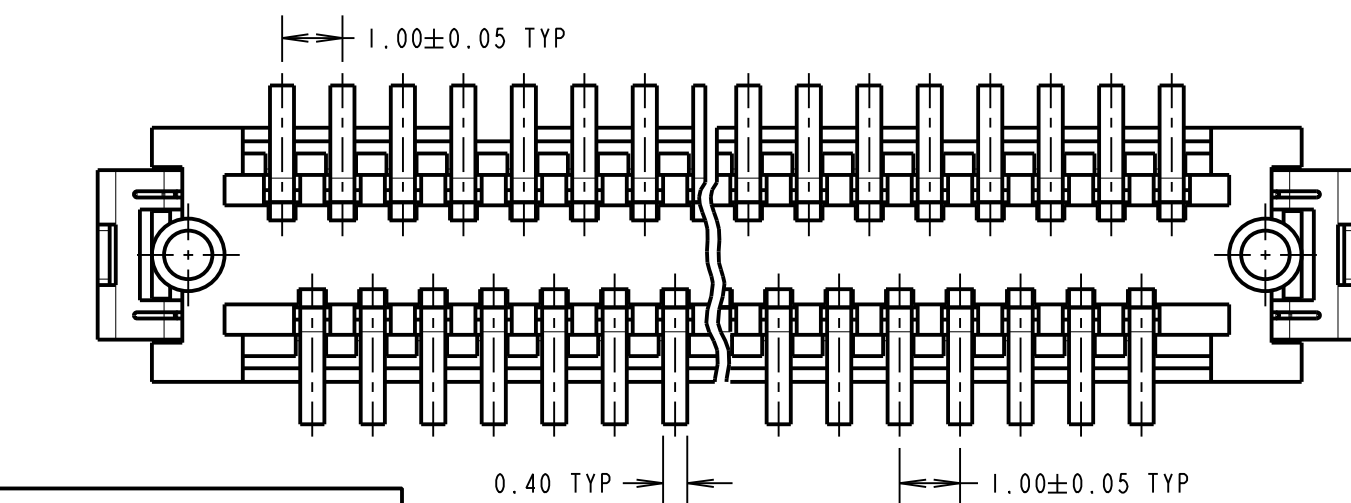
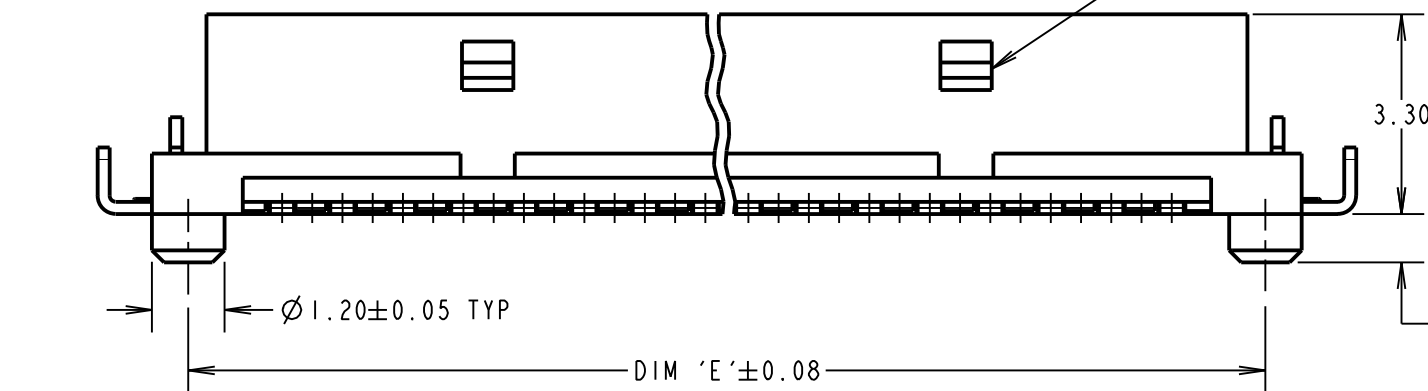
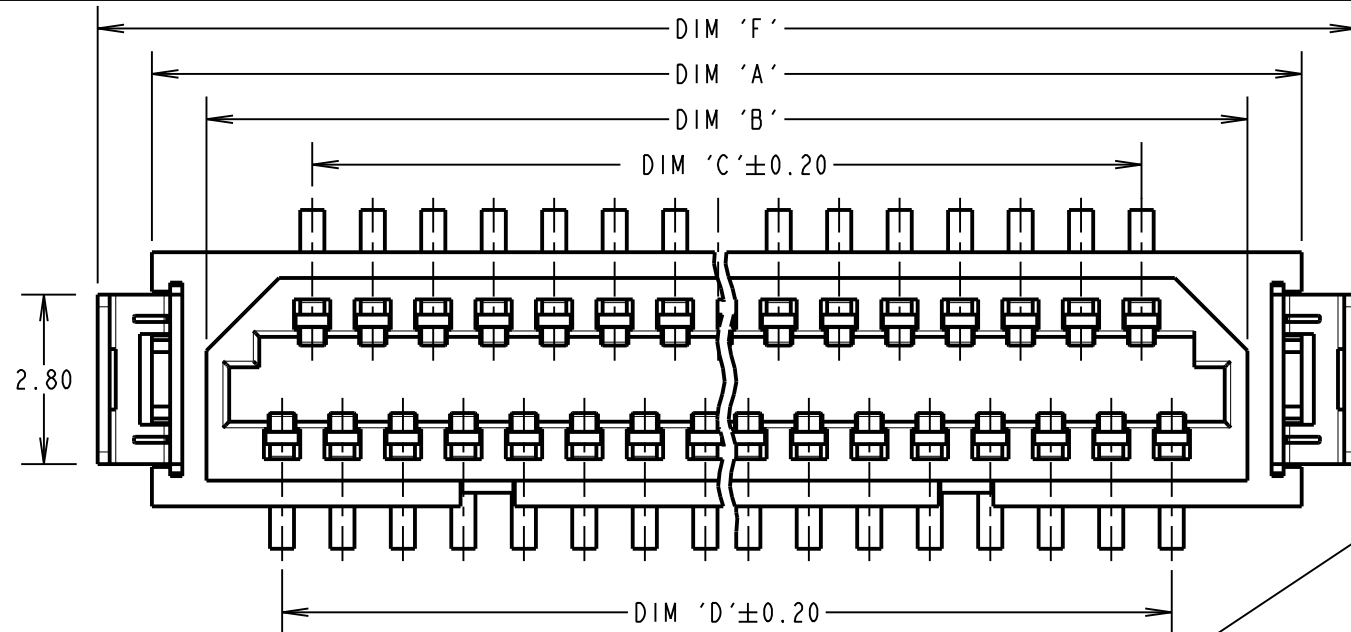
IF IN DOUBT - ASK

©

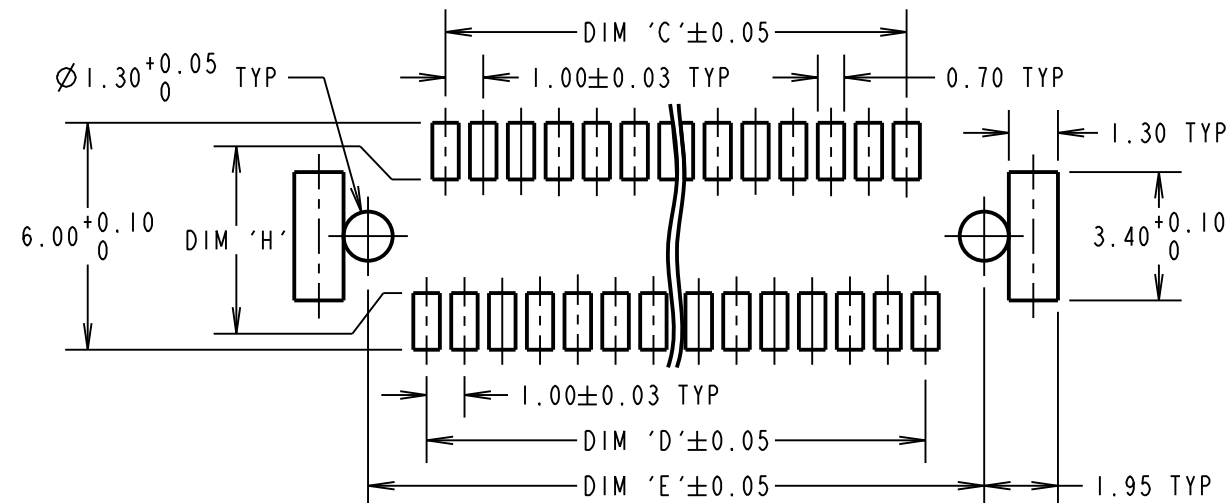
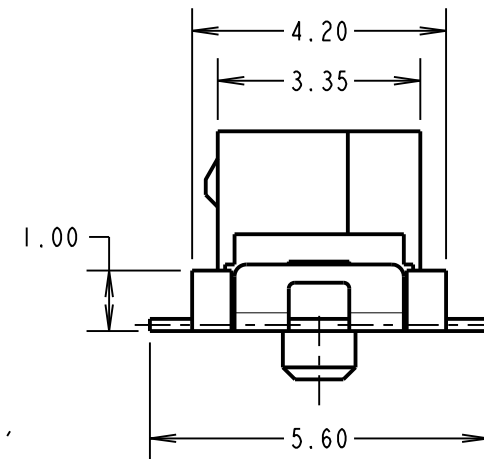
NOT TO SCALE

THIRD ANGLE PROJECTION

ALL DIMENSIONS IN mm



SINGLE CENTRALLY PLACED FEATURE ON 09 TO 25 WAYS



PART No.	No. OF CONTACTS	DIM 'A'	DIM 'B'	DIM 'C'	DIM 'D'	DIM 'E'	DIM 'F'	DIM 'G'	DIM 'H'
M40-6200946	9	8.30	6.50	3.00	4.00	7.10	10.10	1.00	1.84 ^{+0.10} -0.00
M40-6201546	15	11.30	9.50	6.00	7.00	10.10	13.10		
M40-6202146	21	14.30	12.50	9.00	10.00	13.10	16.10		
M40-6202546	25	16.30	14.50	11.00	12.00	15.10	18.10	0.80	3.00 ^{+0.00} -0.10
M40-6203146	31	19.30	17.50	14.00	15.00	18.10	21.10		
M40-6204146	41	24.30	22.50	19.00	20.00	23.10	26.10		
M40-6205146	51	29.30	27.50	24.00	25.00	28.10	31.10		

SPECIFICATIONS:

MATERIAL:

MOULDING = LCP, NATURAL, UL94V-0
CONTACTS = PHOSPHOR BRONZE
RETAINER = BRASS

FINISH = 2.03µ MIN 100% TIN, OVER 1.27µ MIN NICKEL
ELECTRICAL:

CURRENT RATING = 0.5 A
VOLTAGE RATING = 150V AC
DIELECTRIC STRENGTH = 250V AC/DC FOR 1 MINUTE
INSULATION RESISTANCE = 500 MΩ MIN (100V DC)
CONTACT RESISTANCE = 50mΩ MAX (0.1A DC)

MECHANICAL:

DURABILITY = 30 CYCLES MIN

ENVIRONMENTAL:

TEMPERATURE RANGE = -20°C TO +125°C

PACKING:

TUBE

NOTES:

- MATES WITH M40-600XX46 TO GIVE 4.3mm BOARD TO BOARD HEIGHT.
- ALL TOLERANCES ARE ±0.25 UNLESS OTHERWISE STATED.

ORDER CODE: **M40-620XX46**

No. OF CONTACTS
9, 15, 21, 25, 31,
41, 51

FINISH:
46 = 100% TIN

HARWIN

www.harwin.com
technical@harwin.com

THIS DRAWING AND ANY INFORMATION OR DESCRIPTIVE MATTER SET OUT HEREON ARE CONFIDENTIAL AND COPYRIGHT PROPERTY OF THE HARWIN GROUP AND MUST NOT BE DISCLOSED, LOANED, COPIED OR USED FOR MANUFACTURING, TENDERING OR FOR ANY OTHER PURPOSE WITHOUT THEIR WRITTEN PERMISSION.

TOLERANCES
X = ±1mm
X.X = ±0.25mm
X.XX = ±0.10mm
X.XXX = ±0.01mm
ANGLES = ±5°
UNLESS STATED

MATERIAL:

SEE ABOVE

FINISH:

SEE ABOVE

S/AREA:

mm²

TITLE:

1.00mm PITCH SMT
SOCKET CONNECTOR

DRAWING NUMBER:

M40-620XX46

SB	14	18.09.13	12184
NAME	ISS.	DATE	C/NOTE
APPROVED:		S.BENNETT	
CHECKED:		S.FLOWER	
DRAWN:		R.ADDE	
CUSTOMER REF.:			
ASSEMBLY DRG:			

SHT
2 OF 2

X-ON Electronics

Largest Supplier of Electrical and Electronic Components

Click to view similar products for [Board to Board & Mezzanine Connectors](#) category:

Click to view products by [Harwin](#) manufacturer:

Other Similar products are found below :

[589158040000018](#) [MDF7C-18P-2.54DSA\(55\)](#) [FCN-230C068-11](#) [FCN-268F012-G/BD](#) [FCN-268F036-G/BD](#) [FCN-268M012-G/0D](#) [FCN-268M024-G/1D](#) [FCN-723J004/1](#) [MIS-048-01-F-D-DP-K](#) [832-10-034-10-001000](#) [FX4C-80S-1.27DSA](#) [FCN-214Q030-G/0](#) [FCN-234P048-G/0](#) [FCN-235D050-G/C](#) [210-93-314-41-105000](#) [2-22603-0](#) [MDF7-40DP-2.54DSA\(55\)](#) [AXG720047](#) [MIT-114-03-F-D-K](#) [55323-1519](#) [DF33-2P-3.3DSA\(24\)](#) [YFT-20-05-H-03-SB-K](#) [503308-3040](#) [026-6203-PDB](#) [027-6203-PDB](#) [069159702701000](#) [10123981-102LF](#) [101A10019X](#) [55650-0588-C](#) [68682-310LF](#) [68684-306](#) [75140-7012](#) [87471-650](#) [YTW-30-07-H-Q-410-140](#) [FCN-268F024-G0D](#) [10124054-515LF](#) [68685-603](#) [8-1616154-3](#) [MIS-019-01-F-D](#) [FCN-268M024-G/3D](#) [FCN-268M036-G/BD](#) [20021832-06016C1LF](#) [KX15-20KLDL-E1000E](#) [AXE810124](#) [FCN-214J100-G/0](#) [FCN-230C068-E/S](#) [AXE812124](#) [AXE816124](#) [AXE720127](#) [354184](#)