

Customer Information Sheet

DRAWING No.: M50-19X0005

SHEET 2 OF 2

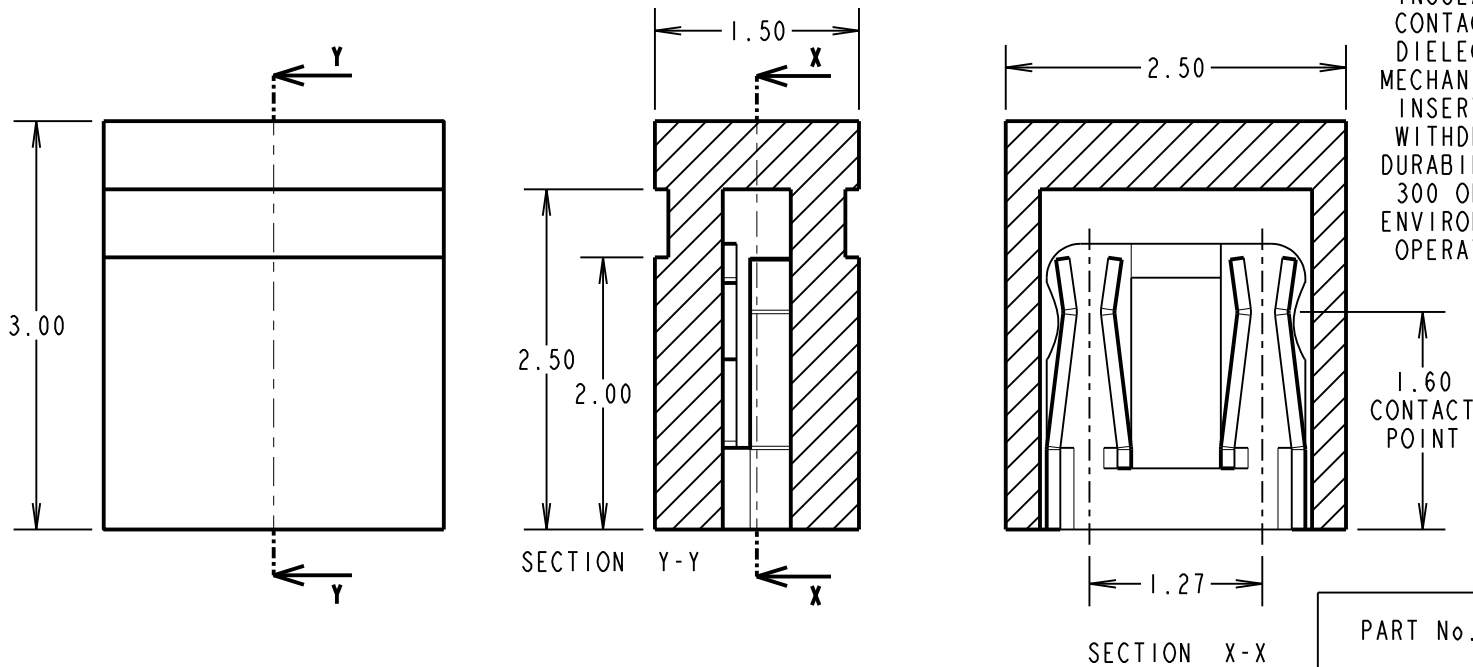
IF IN DOUBT - ASK

(C)

NOT TO SCALE

THIRD ANGLE PROJECTION

ALL DIMENSIONS IN mm



SPECIFICATION.

MATERIAL:

INSULATOR = PBT, UL94V-0
FOR COLOUR SEE TABLE

CONTACT = COPPER ALLOY

FINISH:

0.025µ MIN GOLD FLASH OVER
0.81µ MIN NICKEL

ELECTRICAL:

CURRENT RATING = 1 AMP
INSULATION RESISTANCE = 1000M Ω MIN.
CONTACT RESISTANCE = 20m Ω MAX
DIELECTRIC VOLTAGE = 500V AC FOR ONE MINUTE

MECHANICAL:

INSERTION FORCE = 10.0N MAX
WITHDRAWAL FORCE = 0.6N MIN

DURABILITY:

300 OPERATIONS

ENVIRONMENTAL:

OPERATING TEMPERATURE = -40°C TO +105°C

NOTES:

1. ALL TOLERANCES ARE ±0.13 UNLESS OTHERWISE STATED.

MSP	3	18.04.17	20396
NAME	ISS.	DATE	C/NOTE
APPROVED:		M. PERREN	
CHECKED:		S. BENNETT	
DRAWN:		R. ADDE	
CUSTOMER REF.:			
ASSEMBLY DRG:			

PART No.	COLOUR
M50-1900005	BLACK
M50-1920005	RED
M50-1930005	BLUE

HARWIN

www.harwin.com
technical@harwin.com

THIS DRAWING AND ANY INFORMATION OR DESCRIPTIVE MATTER SET OUT HEREON ARE CONFIDENTIAL AND COPYRIGHT PROPERTY OF THE HARWIN GROUP AND MUST NOT BE DISCLOSED, LOANED, COPIED OR USED FOR MANUFACTURING, TENDERING OR FOR ANY OTHER PURPOSE WITHOUT THEIR WRITTEN PERMISSION.

TOLERANCES
X = ±1mm
X.X = ±0.50mm
X.XX = ±0.10mm
X.XXX = ±0.01mm
ANGLES = ±5°
UNLESS STATED

MATERIAL:
SEE ABOVE
FINISH: SEE ABOVE
S/AREA: mm²

TITLE:
1.27mm JUMPER SOCKET

DRAWING NUMBER:
M50-19X0005

SHT
2 OF 2

X-ON Electronics

Largest Supplier of Electrical and Electronic Components

Click to view similar products for [Headers & Wire Housings](#) category:

Click to view products by [Harwin](#) manufacturer:

Other Similar products are found below :

[892-18-020-10-001101](#) [58102-G61-06LF](#) [582553-1](#) [0009485154](#) [009176003701906](#) [0050291907](#) [LY20-4P-DT1-P1E-BR](#) [02.125.8002.8](#)
[609-3404](#) [61062-3](#) [622-0430](#) [622-3653LF](#) [63453-116](#) [636-1030](#) [636-1427](#) [636-3427](#) [636-4007](#) [641938-9](#) [641991-4](#) [644827-2](#) [65817-010LF](#)
[65817-015LF](#) [65863-015LF](#) [66207-023LF](#) [67095-007LF](#) [67601157](#) [68648-049](#) [70.362.1628.0](#) [70-4210](#) [70-4226B](#) [70-4853B](#) [707-5020](#) [707-5028](#) [71.350.2428.0](#) [71918-208LF](#) [71961-016LF](#) [733-134](#) [733-162](#) [754199-000](#) [760-3052](#) [787-8014-00](#) [79531-3000](#) [FCN-360C032-B](#) [FCN-367T-T012/H](#) [FCN-723D010/2](#) [80.063.4001.1](#) [800-90-001-10-001000](#) [800-90-010-10-002000](#) [801-43-002-10-013000](#) [801-43-006-10-002000](#)