

# Customer Information Sheet

DRAWING No.: M50-311XX42

SHEET 2 OF 2

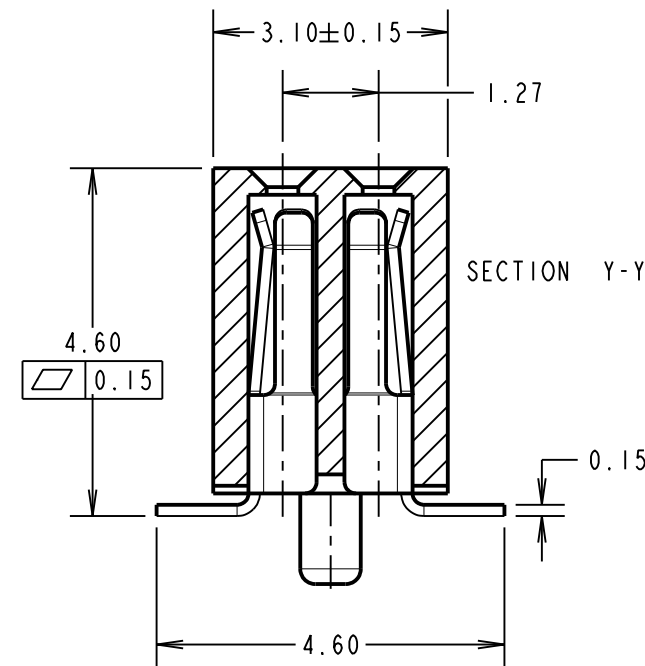
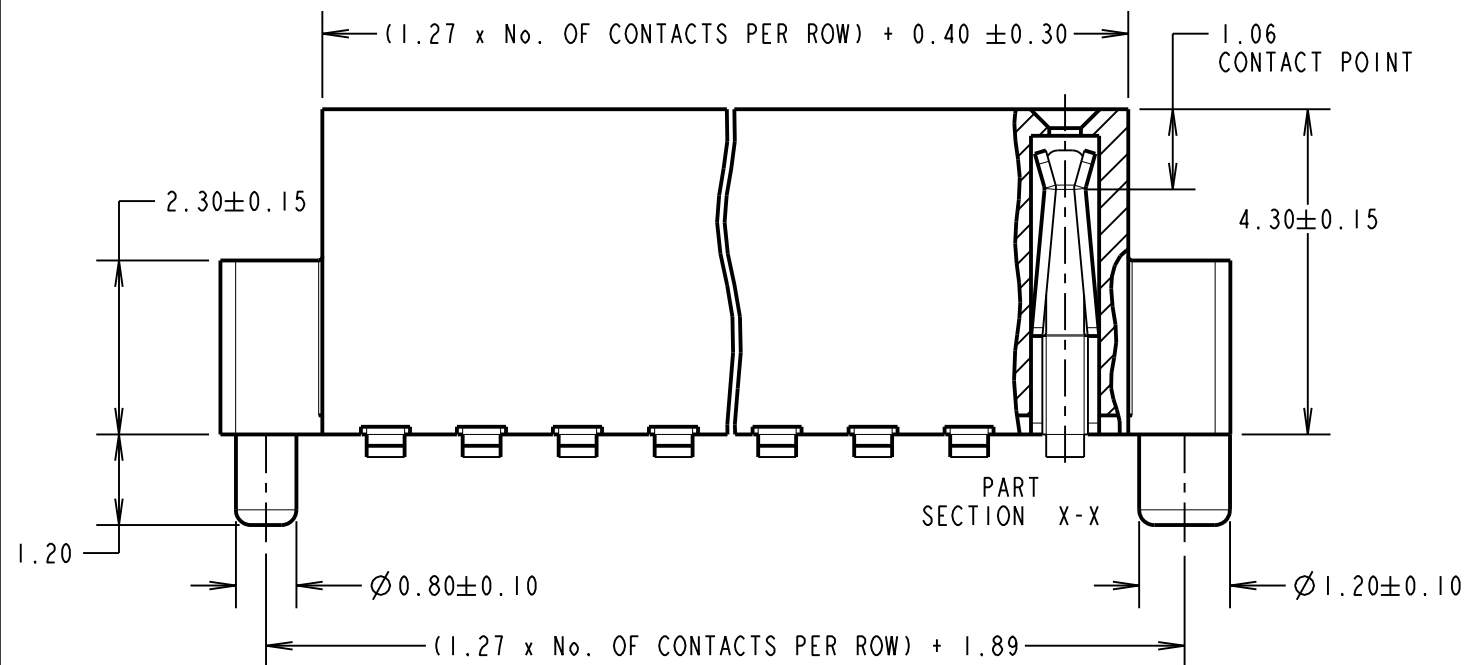
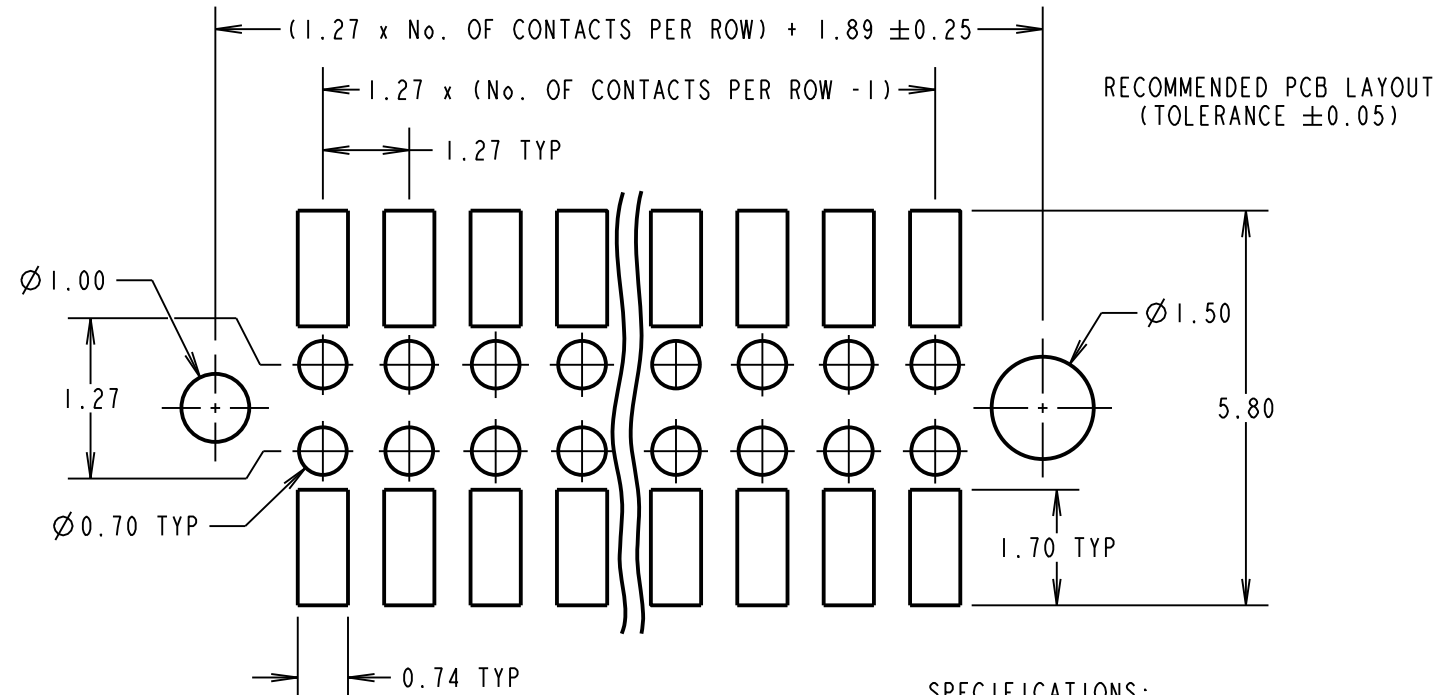
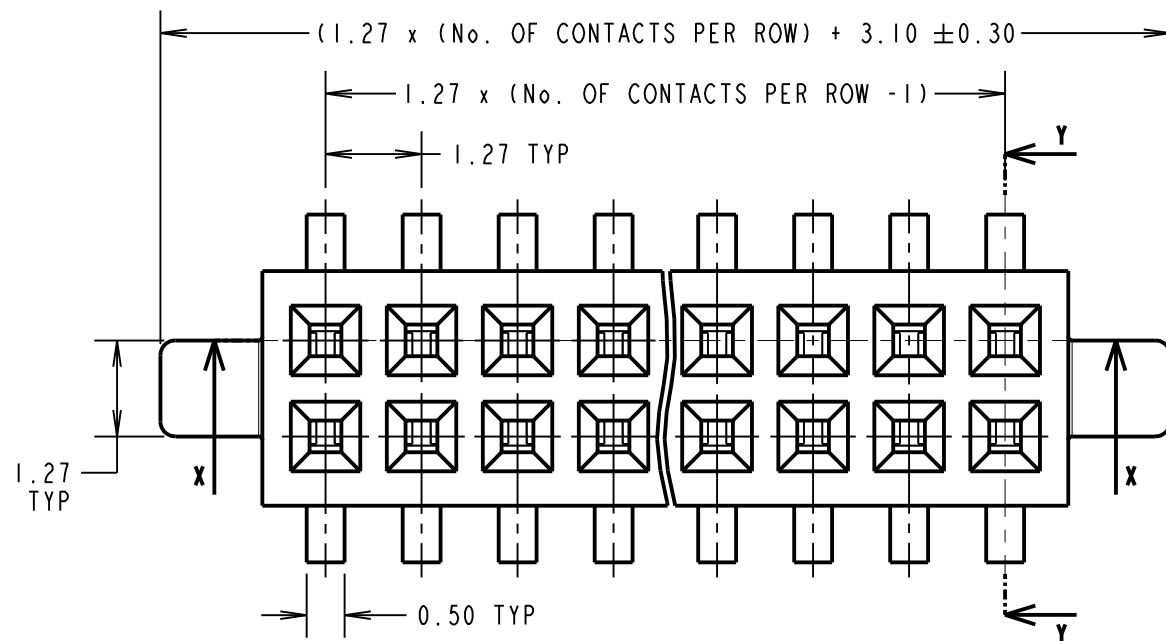
IF IN DOUBT - ASK

©

NOT TO SCALE

THIRD ANGLE PROJECTION

ALL DIMENSIONS IN mm



**SPECIFICATIONS:**

**MATERIAL:**

MOULDING = PA9T, UL94V-0, BLACK

CONTACT = PHOSPHOR BRONZE

**FINISH:**

CONTACT = NICKEL ALL OVER,  
GOLD FLASH ON CONTACT AREA,  
100% TIN ON TAILS

**ELECTRICAL:**

CURRENT RATING = 1A

VOLTAGE PROOF = 500V AC FOR ONE MINUTE

CONTACT RESISTANCE =  $20\text{m}\Omega$  MAX INITIAL,  
 $30\text{m}\Omega$  MAX AFTER CONDITIONING

INSULATION RESISTANCE =  $1,000\text{M}\Omega$  MIN

VOLTAGE PROOF = 500V AC/DC

**MECHANICAL:**

DURABILITY = 300 CYCLES MIN

INSERTION FORCE = 0.98N MAX PER CONTACT

WITHDRAWAL FORCE = 0.12N MIN PER CONTACT

**ENVIRONMENTAL:**

OPERATING TEMPERATURE =  $-40^\circ\text{C}$  TO  $+105^\circ\text{C}$

**PACKING:**

TUBE

FOR COMPLETE SPECIFICATION, SEE COMPONENT SPECIFICATION C029XX (LATEST ISSUE)

ORDER CODE:

**M50-311XX42**

No. OF CONTACTS PER ROW: 03 TO 50

FINISH: GOLD FLASH ON CONTACTS,  
100% TIN ON TAIL

**HARWIN**

www.harwin.com  
technical@harwin.com

THIS DRAWING AND ANY INFORMATION OR DESCRIPTIVE MATTER SET OUT HEREON ARE CONFIDENTIAL AND COPYRIGHT PROPERTY OF THE HARWIN GROUP AND MUST NOT BE DISCLOSED, LOANED, COPIED OR USED FOR MANUFACTURING, TENDERING OR FOR ANY OTHER PURPOSE WITHOUT THEIR WRITTEN PERMISSION.

**TOLERANCES**  
 $X = \pm 1\text{mm}$   
 $X.X = \pm 0.50\text{mm}$   
 $X.XX = \pm 0.10\text{mm}$   
 $X.XXX = \pm 0.01\text{mm}$   
 ANGLES =  $\pm 5^\circ$   
 UNLESS STATED

**MATERIAL:**

SEE ABOVE

**FINISH:**

SEE ABOVE

**S/AREA:**

mm<sup>2</sup>

**TITLE:**

1.27mm PITCH DIL VERTICAL  
SMT SOCKET ASSY WITH POSTS

**DRAWING NUMBER:**

**M50-311XX42**

SB	9	31.05.16	13323
NAME	ISS.	DATE	C/NOTE
APPROVED:		S.BENNETT	
CHECKED:		M.PERREN	
DRAWN:		S.BENNETT	
CUSTOMER REF.:			
ASSEMBLY DRG:			

**NOTES:**

1. ALL TOLERANCES ARE  $\pm 0.25$  UNLESS OTHERWISE STATED.

SHT  
2 OF 2

## X-ON Electronics

Largest Supplier of Electrical and Electronic Components

*Click to view similar products for [Headers & Wire Housings](#) category:*

*Click to view products by [Harwin](#) manufacturer:*

Other Similar products are found below :

[892-18-020-10-001101](#) [58102-G61-06LF](#) [582553-1](#) [0009485154](#) [009176003701906](#) [0050291907](#) [LY20-4P-DT1-P1E-BR](#) [02.125.8002.8](#)  
[609-3404](#) [61062-3](#) [622-0430](#) [622-3653LF](#) [63453-116](#) [636-1030](#) [636-1427](#) [636-3427](#) [636-4007](#) [641938-9](#) [641991-4](#) [644827-2](#) [65817-010LF](#)  
[65817-015LF](#) [65863-015LF](#) [66207-023LF](#) [67095-007LF](#) [67601157](#) [68648-049](#) [70.362.1628.0](#) [70-4210](#) [70-4226B](#) [70-4853B](#) [707-5020](#) [707-5028](#) [71.350.2428.0](#) [71918-208LF](#) [71961-016LF](#) [733-134](#) [733-162](#) [754199-000](#) [760-3052](#) [787-8014-00](#) [79531-3000](#) [FCN-360C032-B](#) [FCN-367T-T012/H](#) [FCN-723D010/2](#) [80.063.4001.1](#) [800-90-001-10-001000](#) [800-90-010-10-002000](#) [801-43-002-10-013000](#) [801-43-006-10-002000](#)