

# Customer Information Sheet

DRAWING No.: M50-314XX45X SHEET 3 OF 4 IF IN DOUBT - ASK © NOT TO SCALE THIRD ANGLE PROJECTION ALL DIMENSIONS IN mm

### RECOMMENDED PCB LAYOUT (TOLERANCE = ±0.05)

### SPECIFICATIONS:

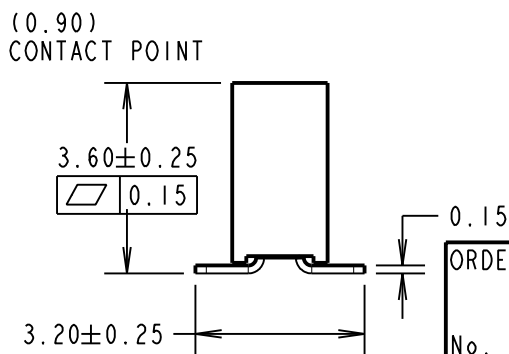
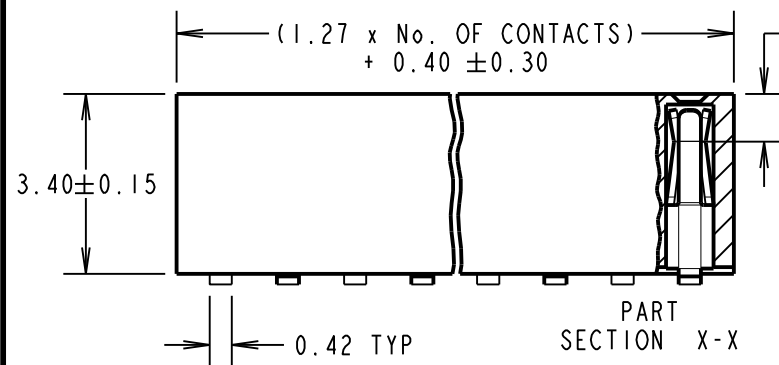
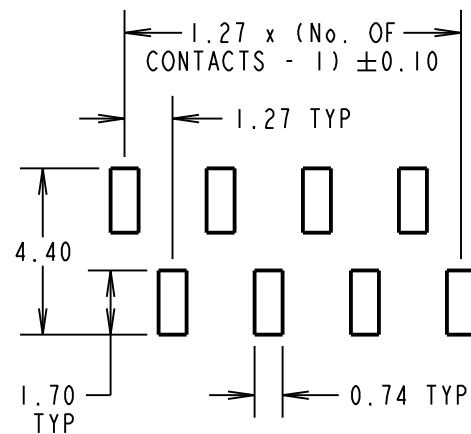
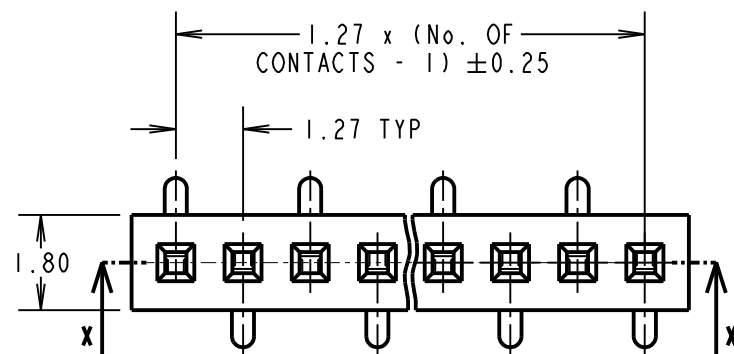
**MATERIAL:**  
 MOULDING = PA9T, UL94V-0, BLACK  
 CONTACT = PHOSPHOR BRONZE  
 FINISH = 0.012µ MIN GOLD, OVER  
 0.76µ - 1.52µ NICKEL

**ELECTRICAL:**  
 CURRENT RATING = 1A  
 DIELECTRIC VOLTAGE = 500V AC FOR ONE MINUTE  
 CONTACT RESISTANCE = 20mΩ MAX  
 INSULATION RESISTANCE = 1000MΩ MIN

**MECHANICAL:**  
 DURABILITY = 300 CYCLES MIN  
 INSERTION FORCE = 1.17N MAX PER CONTACT  
 WITHDRAWAL FORCE = 0.19N MIN PER CONTACT

**ENVIRONMENTAL:**  
 OPERATING TEMPERATURE = -40°C - +105°C

**PACKING:**  
 TUBE (02 CONTACT SIZE PACKED IN BOX)  
 FOR COMPLETE SPECIFICATIONS, SEE COMPONENT  
 SPECIFICATION C029XX (LATEST ISSUE)



ORDER CODE: **M50-314XX45X**

No. OF CONTACTS: \_\_\_\_\_  
 02 TO 06, 08, 10, 20

PACKING: \_\_\_\_\_  
 BLANK = TUBE  
 R = TAPE AND REEL (SHEET 4)

MSP	3	14.08.17	20647
NAME	ISS.	DATE	C/NOTE
APPROVED: M.PERREN			
CHECKED: M.PLESTED			
DRAWN: S.BENNETT			
CUSTOMER REF.:			
ASSEMBLY DRG:			

NOTES:  
 1. FOR TAPE AND REEL DETAILS, SEE SHEET 4.

**HARWIN**

www.harwin.com  
 technical@harwin.com

THIS DRAWING AND ANY INFORMATION OR DESCRIPTIVE MATTER SET OUT HEREON ARE CONFIDENTIAL AND COPYRIGHT PROPERTY OF THE HARWIN GROUP AND MUST NOT BE DISCLOSED, LOANED, COPIED OR USED FOR MANUFACTURING, TENDERING OR FOR ANY OTHER PURPOSE WITHOUT THEIR WRITTEN PERMISSION.

**TOLERANCES**  
 X. = ±1mm  
 X.X = ±0.50mm  
 X.XX = ±0.10mm  
 X.XXX = ±0.01mm  
 ANGLES = ±5°  
 UNLESS STATED

**MATERIAL:**  
 SEE ABOVE

**FINISH:** SEE ABOVE

**S/AREA:** mm<sup>2</sup>

**TITLE:**  
 1.27mm PITCH, SIL  
 VERTICAL SMT SOCKET

**DRAWING NUMBER:**  
**M50-314XX45X**

SHT  
 3  
 OF  
 4

# Customer Information Sheet

DRAWING No.: M50-314XX45X

SHEET 4 OF 4

IF IN DOUBT - ASK

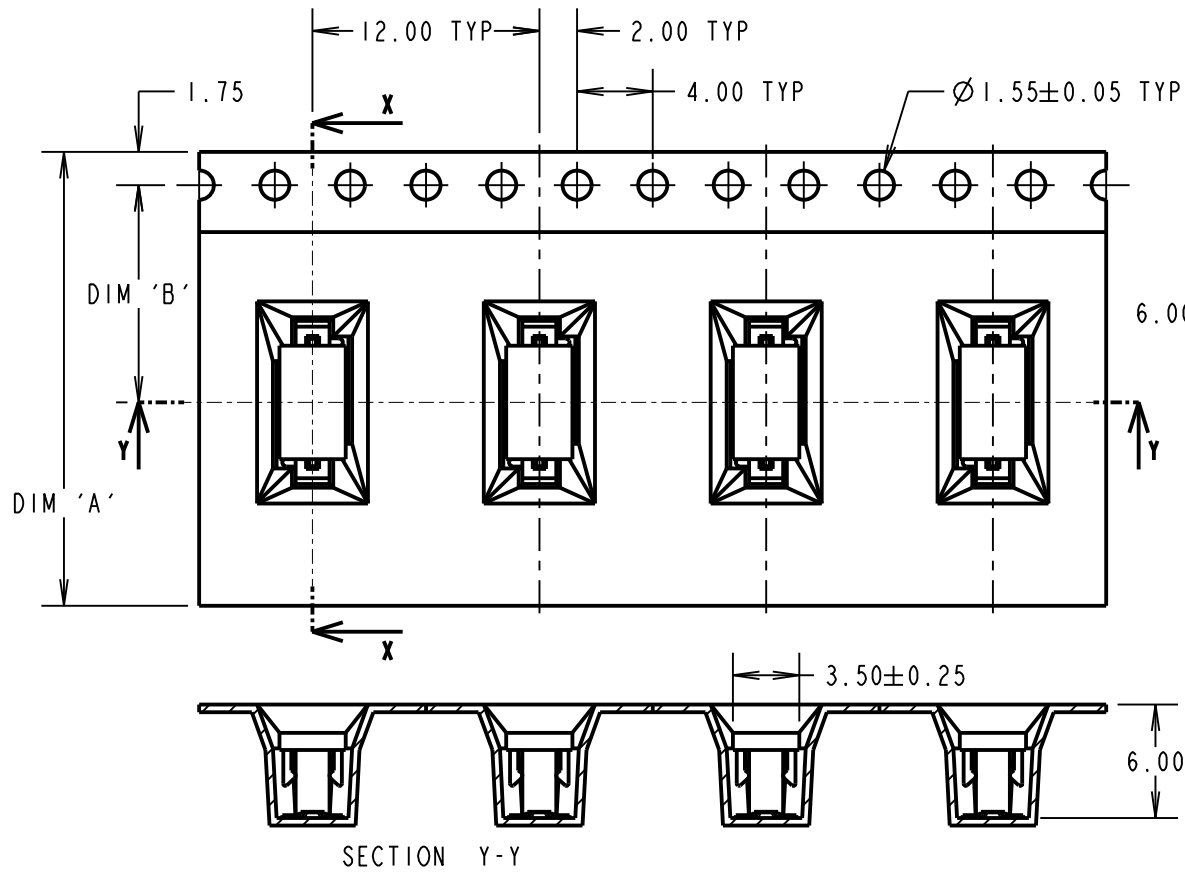
(C)

NOT TO SCALE

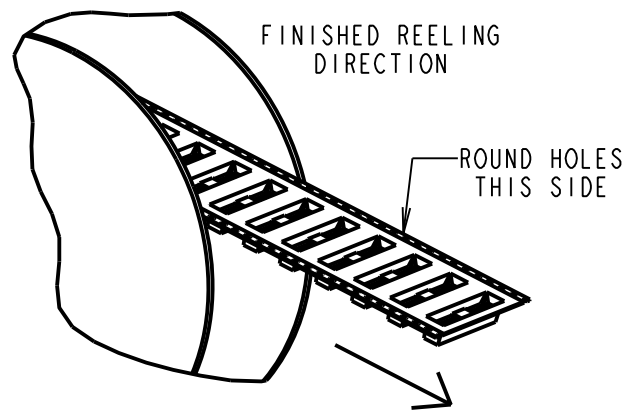
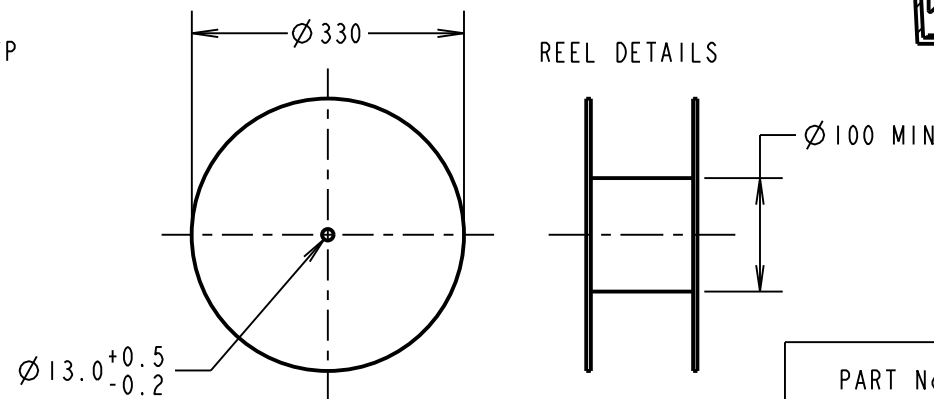
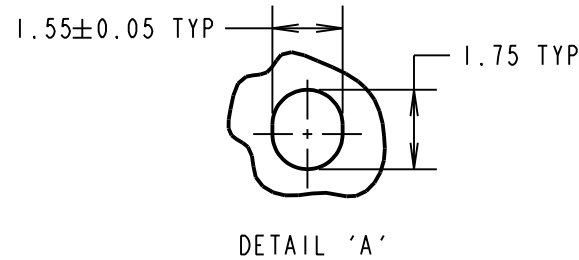
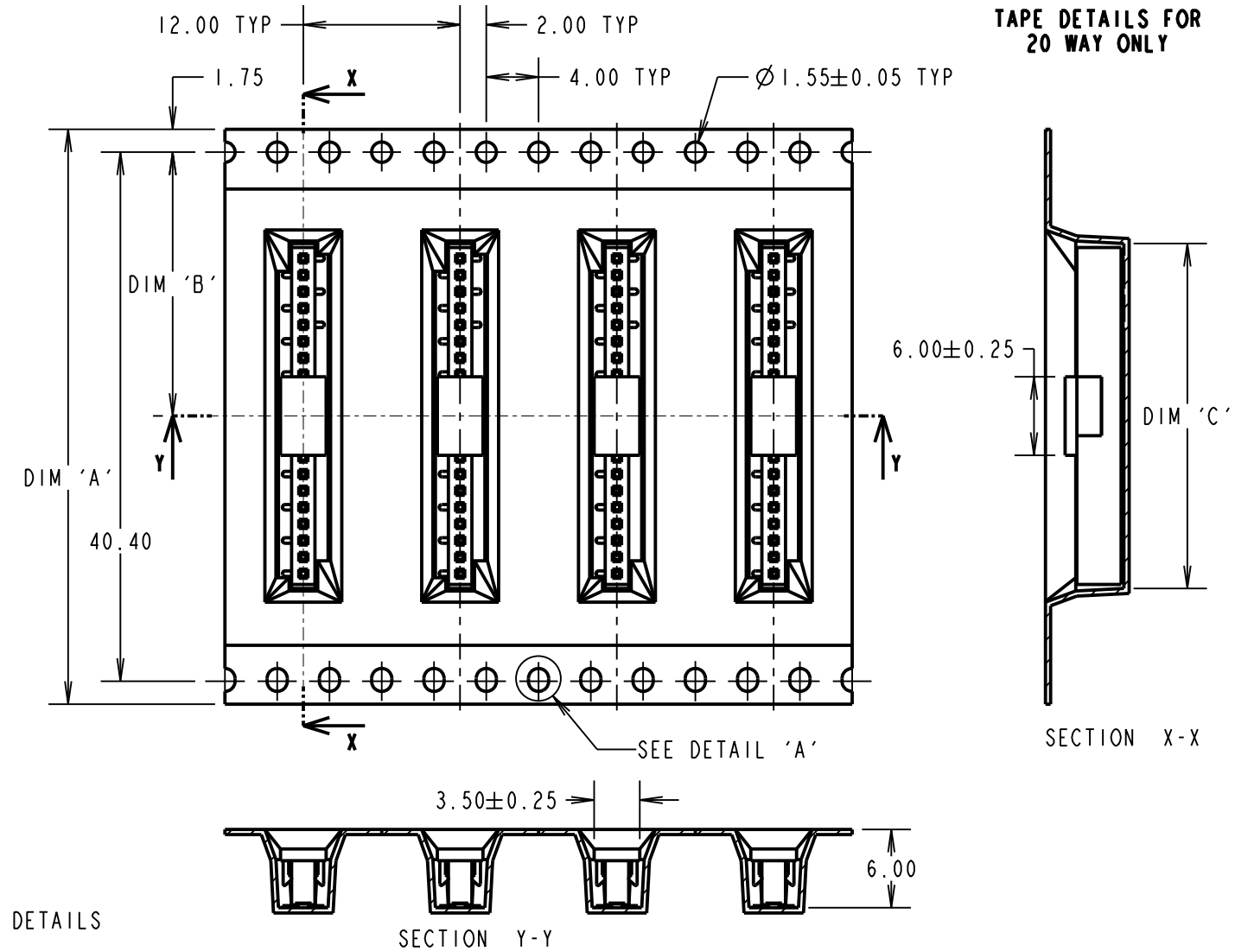
THIRD ANGLE PROJECTION

ALL DIMENSIONS IN mm

## TAPE DETAILS FOR 02 TO 06, 08 & 10 WAYS ONLY



## TAPE DETAILS FOR 20 WAY ONLY



ORDER CODE: **M50-314XX45X**

No. OF CONTACTS: \_\_\_\_\_  
02 TO 06, 08, 10, 20

PACKING: \_\_\_\_\_  
BLANK = TUBE (SHEET 3)  
R = TAPE AND REEL

PART No.	DIMENSION			REEL QUANTITY
	DIM 'A'	DIM 'B'	DIM 'C'	
M50-3140245R	16.00±0.30	7.50	6.60	1000
M50-3140345R			6.40	
M50-3140445R			6.60	
M50-3140545R	24.00±0.30	11.50	7.13	
M50-3140645R			8.42	
M50-3140845R			10.96	
M50-3141045R			13.50	
M50-3142045R	44.00±0.30	20.20±0.15	26.20	

MSP	3	14.08.17	20647
NAME	ISS.	DATE	C/NOTE
APPROVED: M.PERREN			
CHECKED: M.PLESTED			
DRAWN: S.BENNETT			
CUSTOMER REF.:			
ASSEMBLY DRG:			

- NOTES:
- FOR CONNECTOR DETAILS AND SPECIFICATIONS, SEE SHEET 3.
  - PRODUCT IS TAPE AND REELED IN GENERAL ACCORDANCE WITH EIA-481 (ELECTRAL INDUSTRIES ASSOCIATION).

# HARWIN

www.harwin.com  
technical@harwin.com

THIS DRAWING AND ANY INFORMATION OR DESCRIPTIVE MATTER SET OUT HEREON ARE CONFIDENTIAL AND COPYRIGHT PROPERTY OF THE HARWIN GROUP AND MUST NOT BE DISCLOSED, LOANED, COPIED OR USED FOR MANUFACTURING, TENDERING OR FOR ANY OTHER PURPOSE WITHOUT THEIR WRITTEN PERMISSION.

TOLERANCES  
X. = ±1mm  
X.X = ±0.25mm  
X.XX = ±0.10mm  
X.XXX = ±0.01mm  
ANGLES = ±5°  
UNLESS STATED

MATERIAL:  
SEE ABOVE  
FINISH: SEE ABOVE  
S/AREA: mm<sup>2</sup>

TITLE:  
1.27mm PITCH, SIL  
VERTICAL SMT SOCKET

DRAWING NUMBER:  
**M50-314XX45X**

SHT  
4  
OF  
4

## X-ON Electronics

Largest Supplier of Electrical and Electronic Components

*Click to view similar products for [Headers & Wire Housings](#) category:*

*Click to view products by [Harwin](#) manufacturer:*

Other Similar products are found below :

[892-18-020-10-001101](#) [58102-G61-06LF](#) [582553-1](#) [0009485154](#) [009176003701906](#) [0050291907](#) [LY20-4P-DT1-P1E-BR](#) [02.125.8002.8](#)  
[609-3404](#) [61062-3](#) [622-0430](#) [622-3653LF](#) [63453-116](#) [636-1030](#) [636-1427](#) [636-3427](#) [636-4007](#) [641938-9](#) [641991-4](#) [644827-2](#) [65817-010LF](#)  
[65817-015LF](#) [65863-015LF](#) [66207-023LF](#) [67095-007LF](#) [67601157](#) [68648-049](#) [70.362.1628.0](#) [70-4210](#) [70-4226B](#) [70-4853B](#) [707-5020](#) [707-](#)  
[5028](#) [71.350.2428.0](#) [71918-208LF](#) [71961-016LF](#) [733-134](#) [733-162](#) [754199-000](#) [760-3052](#) [787-8014-00](#) [79531-3000](#) [FCN-360C032-B](#) [FCN-](#)  
[367T-T012/H](#) [FCN-723D010/2](#) [80.063.4001.1](#) [800-90-001-10-001000](#) [800-90-010-10-002000](#) [801-43-002-10-013000](#) [801-43-006-10-002000](#)