

Customer Information Sheet

DRAWING No.: M50-315XX42R

IF IN DOUBT - ASK

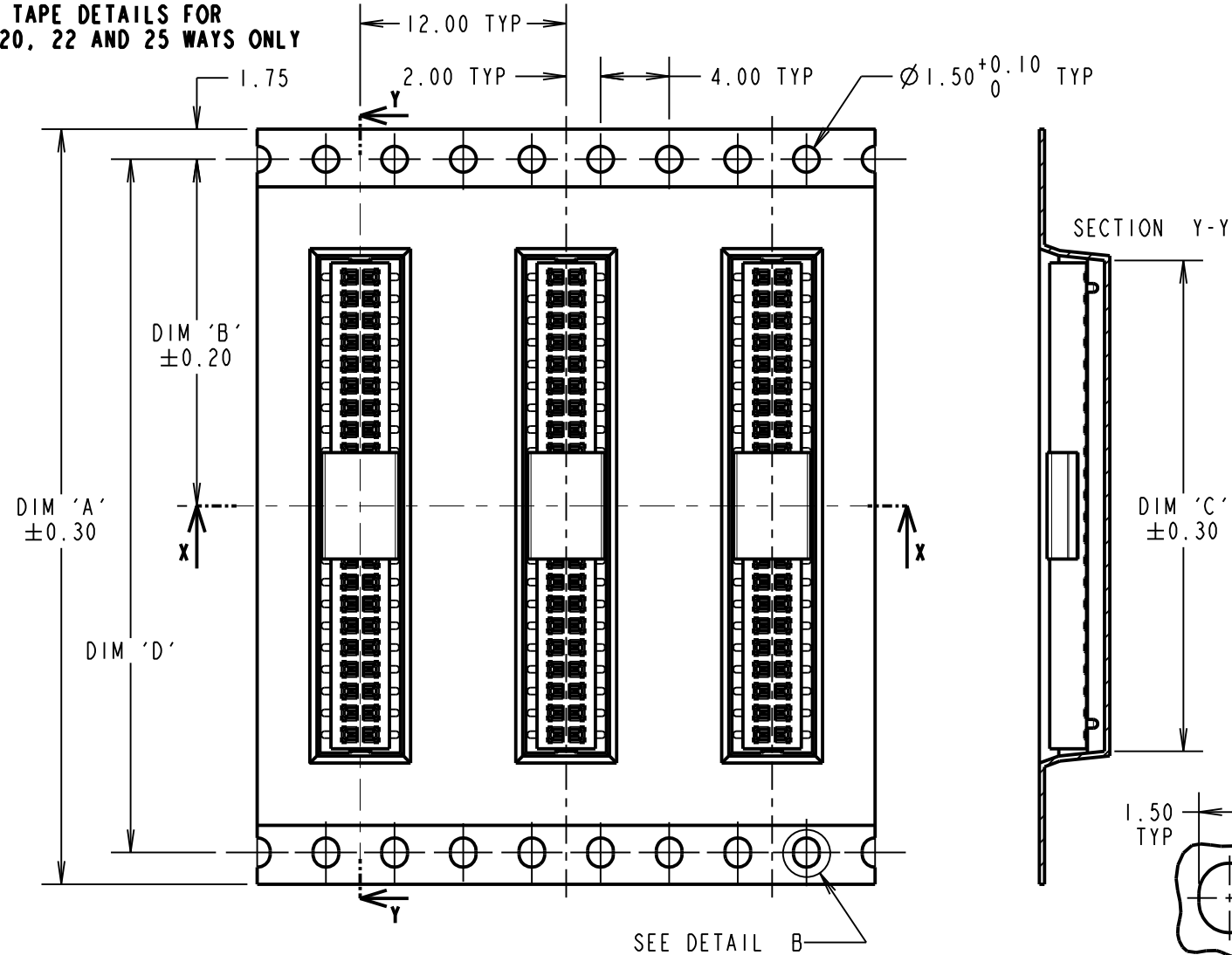
©

NOT TO SCALE

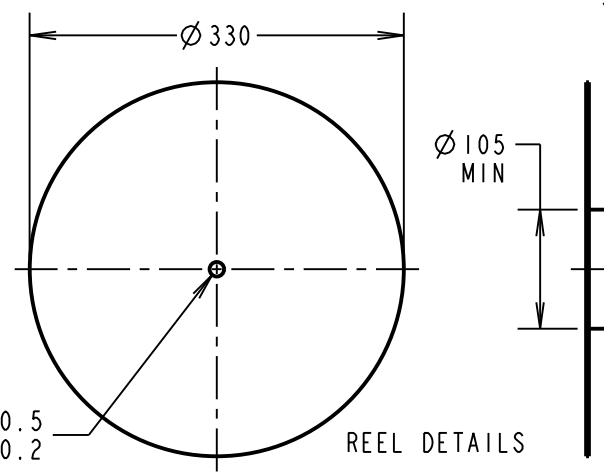
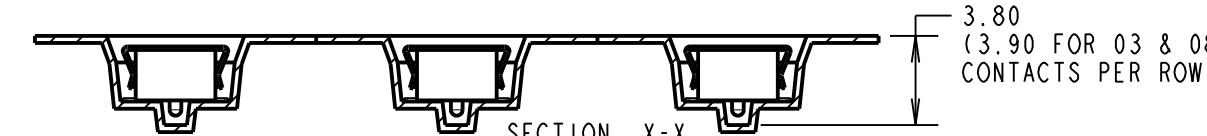
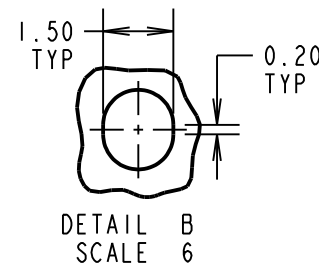
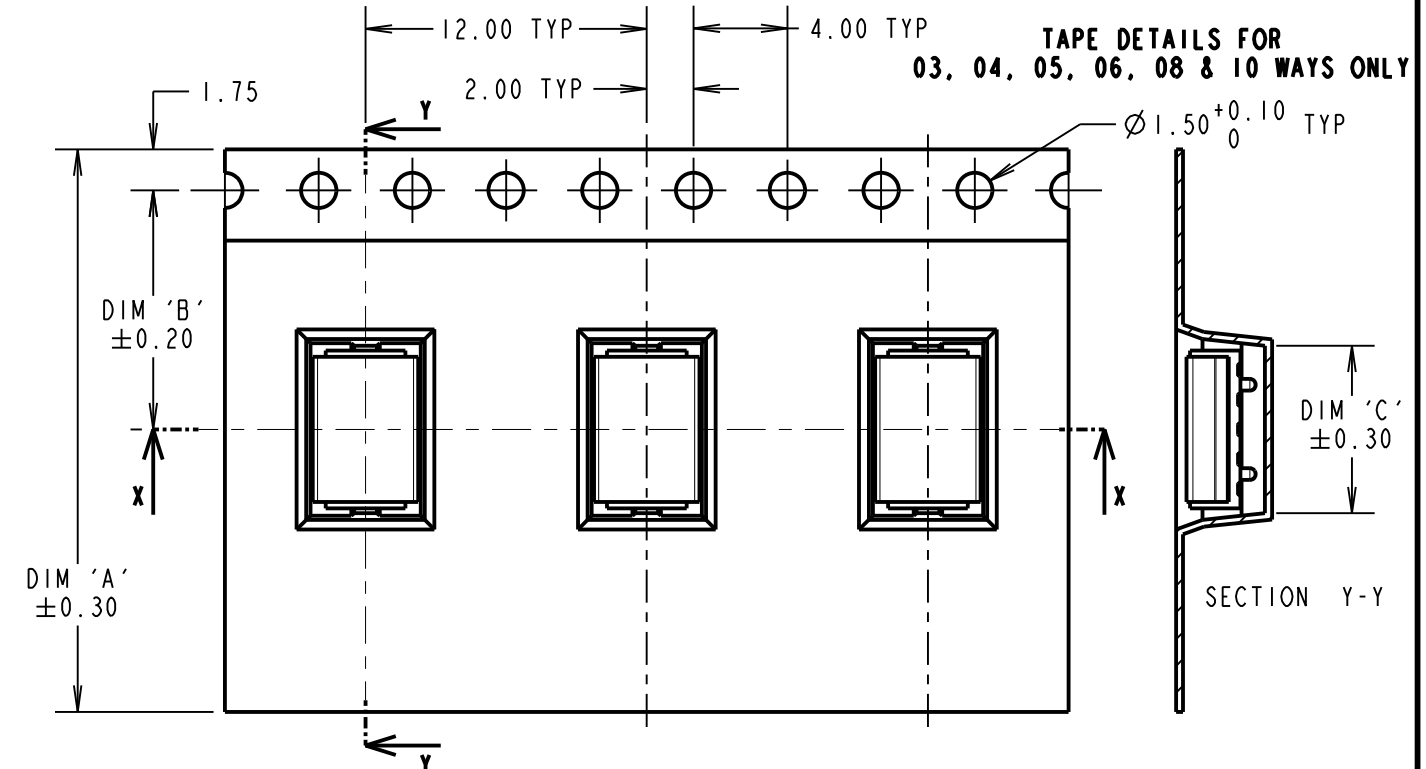
THIRD ANGLE PROJECTION

ALL DIMENSIONS IN mm

**TAPE DETAILS FOR
15, 20, 22 AND 25 WAYS ONLY**



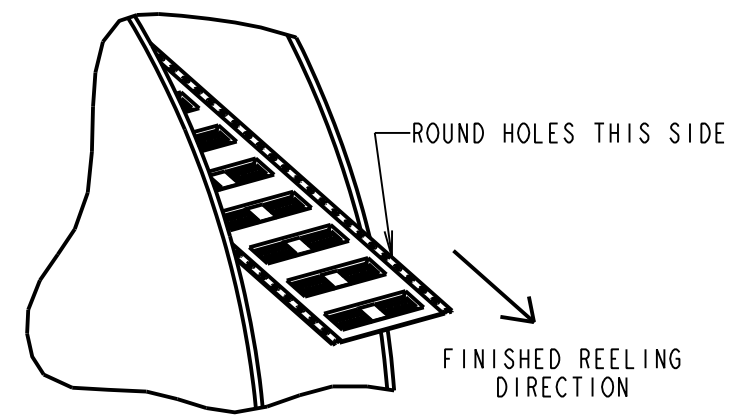
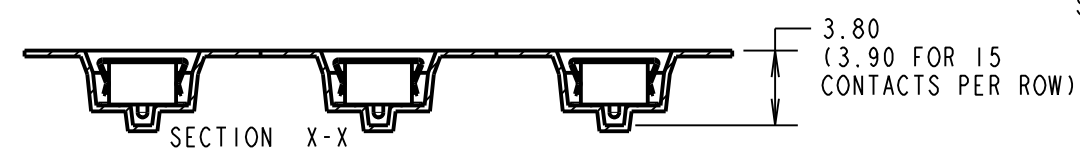
**TAPE DETAILS FOR
03, 04, 05, 06, 08 & 10 WAYS ONLY**



ORDER CODE: **M50-315XX42R**

No. OF CONTACTS PER ROW:
03, 04, 05, 06, 08,
10, 15, 20, 22, 25

FINISH:
42 = GOLD FLASH + 100% TIN OVER NICKEL



REELED PART No.	DIM 'A'	DIM 'B'	DIM 'C'	DIM 'D'	PACK SIZE
M50-3150342R	16.00	7.50	4.55	N/A	1400
M50-3150442R			5.78		
M50-3150542R			7.15		
M50-3150642R	24.00	10.20	8.30	N/A	1300
M50-3150842R			11.25		
M50-3151042R			13.40		
M50-3151542R	32.00	14.20	20.10	28.40	1400
M50-3152042R	44.00	20.20	26.10	40.40	1300
M50-3152242R			28.60	40.40	
M50-3152542R			32.45	40.40	

- NOTES:
- PRODUCT IS TAPE AND REELED IN GENERAL ACCORDANCE WITH EIA-481 (ELECTRONIC INDUSTRIES ASSOCIATION).
 - CUMULATIVE TOLERANCE OVER 10 PITCHES = ±0.20mm
 - FOR CONNECTOR DETAILS AND SPECIFICATIONS SEE SHEET 4.

MSP	10	17.08.17	20750
NAME	ISS.	DATE	C/NOTE
APPROVED: M.PERREN			
CHECKED: M.PLESTED			
DRAWN: R.ADDE			
CUSTOMER REF.:			
ASSEMBLY DRG:			

HARWIN

www.harwin.com
technical@harwin.com

THIS DRAWING AND ANY INFORMATION OR DESCRIPTIVE MATTER SET OUT HEREON ARE CONFIDENTIAL AND COPYRIGHT PROPERTY OF THE HARWIN GROUP AND MUST NOT BE DISCLOSED, LOANED, COPIED OR USED FOR MANUFACTURING, TENDERING OR FOR ANY OTHER PURPOSE WITHOUT THEIR WRITTEN PERMISSION.

TOLERANCES
X. = ±1mm
X.X = ±0.25mm
X.XX = ±0.10mm
X.XXX = ±0.01mm
ANGLES = ±5°
UNLESS STATED

MATERIAL: SEE SHEET 4
FINISH: SEE ABOVE
S/AREA: mm²

TITLE: 1.27mm PITCH DIL SMT VERT LOW PROFILE SOCKET ASSY (TAPE & REEL)
DRAWING NUMBER: **M50-315XX42R**
SHT 3 OF 4

Customer Information Sheet

DRAWING No.: M50-315XX42R

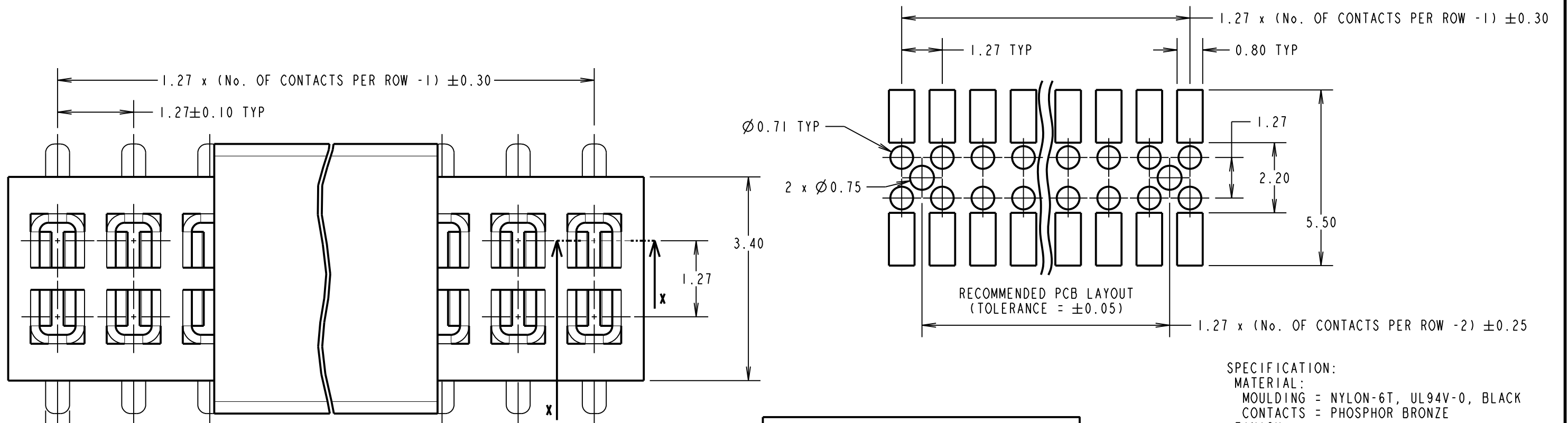
IF IN DOUBT - ASK

©

NOT TO SCALE

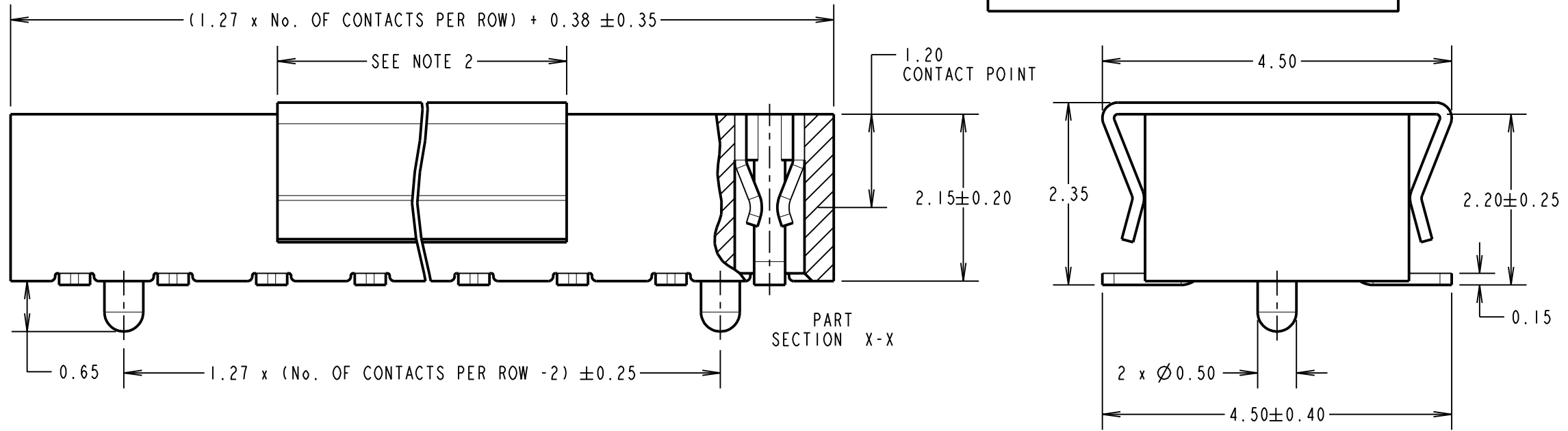
THIRD ANGLE PROJECTION

ALL DIMENSIONS IN mm



ORDER CODE:
M50-315XX42R
 No. OF CONTACTS PER ROW:
 03, 04, 05, 06, 08,
 10, 15, 20, 22, 25
 FINISH:
 42 = GOLD FLASH + 100% TIN OVER NICKEL

SPECIFICATION:
MATERIAL:
 MOULDING = NYLON-6T, UL94V-0, BLACK
 CONTACTS = PHOSPHOR BRONZE
FINISH:
 CONTACTS = 1.27µ NICKEL ALL OVER,
 GOLD FLASH ON CONTACT AREA,
 2.54µ 100% TIN ON TAILS
ELECTRICAL:
 CURRENT RATING = 1A
 CONTACT RESISTANCE = 20mΩ MAX
 INSULATION RESISTANCE = 1000MΩ MIN
 DIELECTRIC WITHSTANDING = 500V AC FOR
 ONE MINUTE
MECHANICAL:
 DURABILITY = 300 CYCLES MIN
 INSERTION FORCE = 1.5N MAX PER CONTACT
 WITHDRAWAL FORCE = 0.2N MIN PER CONTACT
ENVIRONMENTAL:
 TEMPERATURE RANGE = -40°C TO +105°C
PACKING:
 REEL
 FOR COMPLETE SPECIFICATION, SEE COMPONENT
 SPECIFICATION C029XX (LATEST ISSUE)



NOTE:
 1. ALL TOLERANCES ARE ±0.15 UNLESS OTHERWISE STATED.
 2. PICK AND PLACE CAP LENGTH = 4.20mm FOR 03 TO 05 CONTACTS PER ROW,
 6.90mm FOR 06 TO 40 CONTACTS PER ROW.
 3. FOR TAPE AND REEL DETAILS, SEE SHEET 3.

HARWIN
 www.harwin.com
 technical@harwin.com

THIS DRAWING AND ANY
 INFORMATION OR DESCRIPTIVE
 MATTER SET OUT HEREON ARE
 CONFIDENTIAL AND COPYRIGHT
 PROPERTY OF THE HARWIN
 GROUP AND MUST NOT BE
 DISCLOSED, LOANED, COPIED
 OR USED FOR MANUFACTURING,
 TENDERING OR FOR ANY
 OTHER PURPOSE WITHOUT
 THEIR WRITTEN PERMISSION.

TOLERANCES
 X = ± 1mm
 X.X = ± 0.25mm
 X.XX = ± 0.10mm
 X.XXX = ± 0.01mm
 ANGLES = ± 5°
 UNLESS STATED

MATERIAL:
 SEE ABOVE
FINISH:
 SEE ABOVE
S/AREA:
 mm²

TITLE: 1.27mm PITCH DIL SMT VERT
 LOW PROFILE SOCKET ASSY
 (TAPE & REEL)
DRAWING NUMBER:
M50-315XX42R
 SHT
 4 OF 4

MSP	10	17.08.17	20750
NAME	ISS.	DATE	C/NOTE
APPROVED: M.PERREN			
CHECKED: M.PLESTED			
DRAWN: R.ADDE			
CUSTOMER REF.:			
ASSEMBLY DRG:			

X-ON Electronics

Largest Supplier of Electrical and Electronic Components

Click to view similar products for [Headers & Wire Housings](#) category:

Click to view products by [Harwin](#) manufacturer:

Other Similar products are found below :

[892-18-020-10-001101](#) [58102-G61-06LF](#) [582553-1](#) [0009485154](#) [009176003701906](#) [0050291907](#) [LY20-4P-DT1-P1E-BR](#) [02.125.8002.8](#)
[609-3404](#) [61062-3](#) [622-0430](#) [622-3653LF](#) [63453-116](#) [636-1030](#) [636-1427](#) [636-3427](#) [636-4007](#) [641938-9](#) [641991-4](#) [644827-2](#) [65817-010LF](#)
[65817-015LF](#) [65863-015LF](#) [66207-023LF](#) [67095-007LF](#) [67601157](#) [68648-049](#) [70.362.1628.0](#) [70-4210](#) [70-4226B](#) [70-4853B](#) [707-5020](#) [707-](#)
[5028](#) [71.350.2428.0](#) [71918-208LF](#) [71961-016LF](#) [733-134](#) [733-162](#) [754199-000](#) [760-3052](#) [787-8014-00](#) [79531-3000](#) [FCN-360C032-B](#) [FCN-](#)
[367T-T012/H](#) [FCN-723D010/2](#) [80.063.4001.1](#) [800-90-001-10-001000](#) [800-90-010-10-002000](#) [801-43-002-10-013000](#) [801-43-006-10-002000](#)