

Customer Information Sheet

DRAWING No.: M50-330XX42

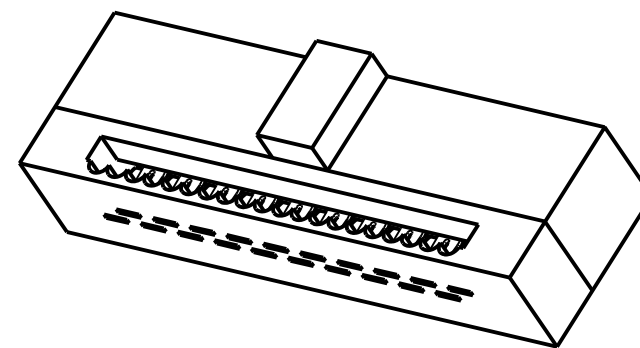
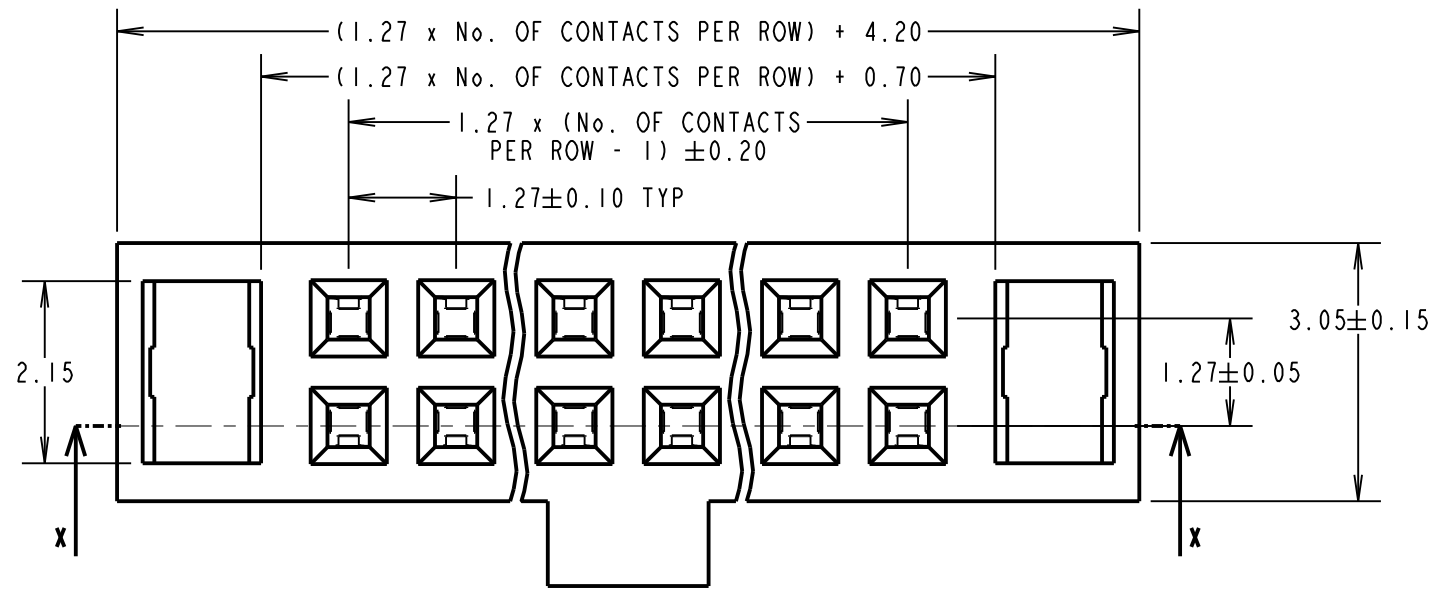
IF IN DOUBT - ASK

©

NOT TO SCALE

THIRD ANGLE PROJECTION

ALL DIMENSIONS IN mm



SPECIFICATIONS:

MATERIALS:

MOULD & CAP= PBT, 30% G/F, UL94V-0
CONTACT = PHOSPHOR BRONZE

FINISH:

42 = $0.015-0.02 \mu\text{m}$ GOLD ON CONTACTS,
 $2.54 \mu\text{m}$ 100% TIN ON TAILS,
OVER $0.76-2.03 \mu\text{m}$ NICKEL

ELECTRICAL:

RATED CURRENT = 1A
CONTACT RESISTANCE = $20\text{m}\Omega$ MAX
WITHSTAND VOLTAGE = 500V ACrms FOR 1 MIN
INSULATION RESISTANCE = $1000\text{M}\Omega$ MIN

MECHANICAL:

DURABILITY = 100 CYCLES MIN
INSERTION FORCE = 1.0N MAX PER CONTACT
WITHDRAWAL FORCE = 0.14N MIN PER CONTACT

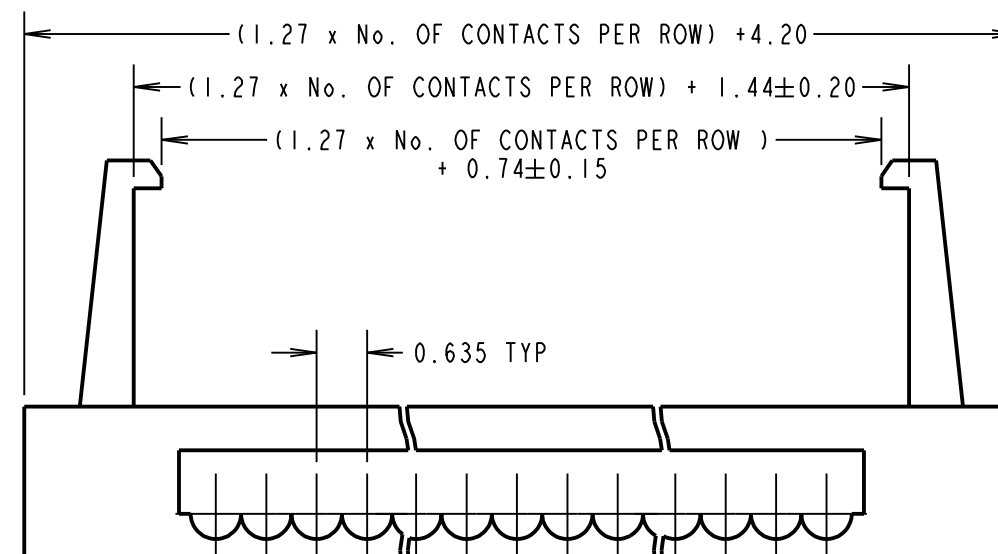
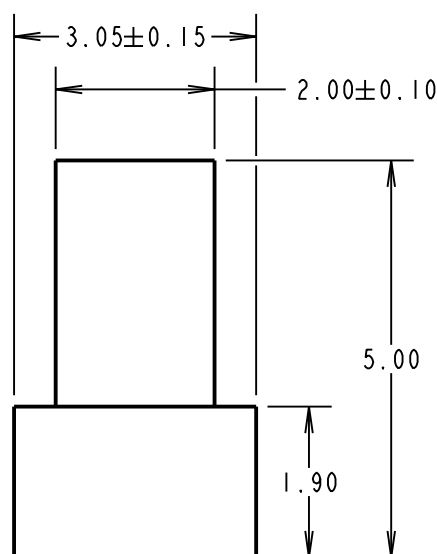
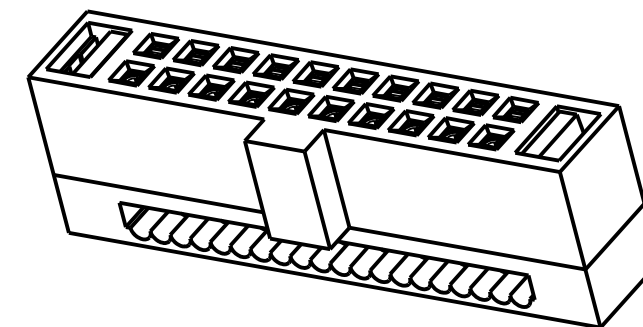
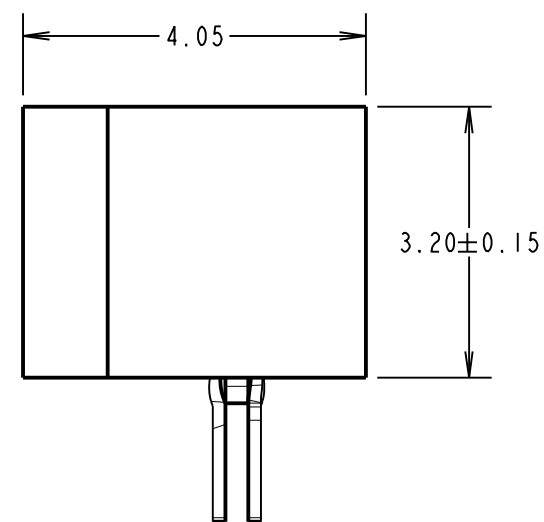
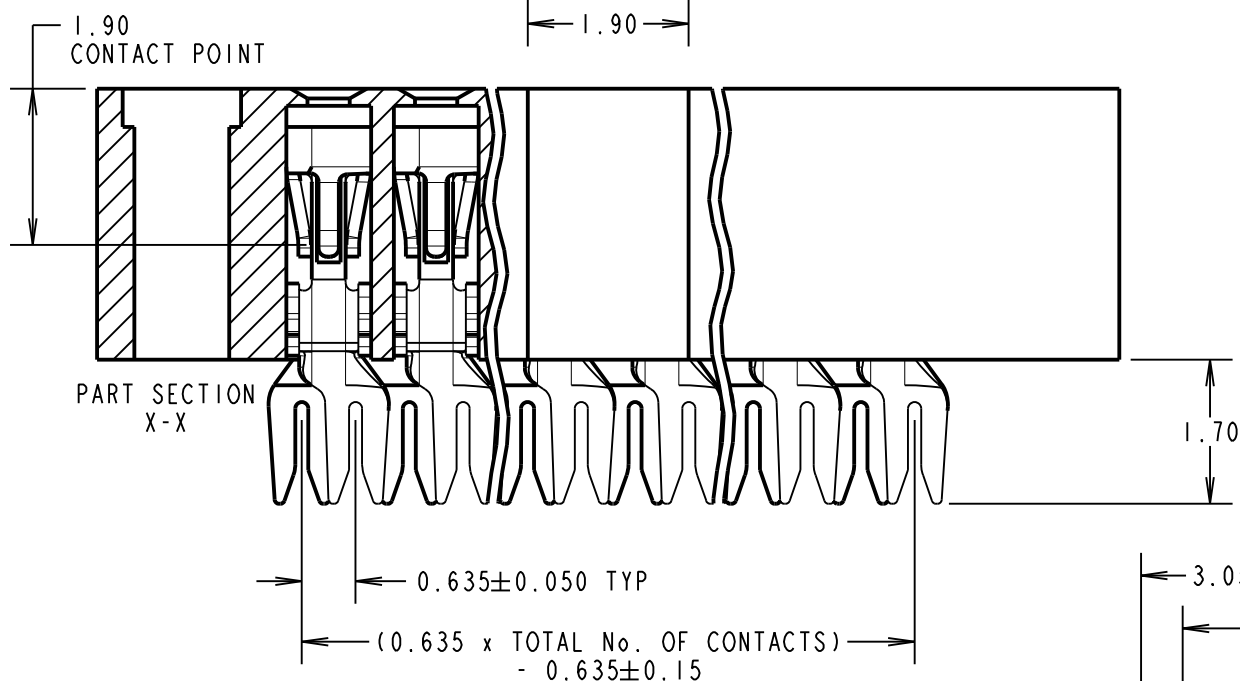
ENVIRONMENTAL:

OPERATING TEMPERATURE = -40°C TO $+105^\circ\text{C}$

PACKING:

TUBE

FOR COMPLETE SPECIFICATION, SEE COMPONENT SPECIFICATION C029XX (LATEST ISSUE)



NOTES:

1. ALL TOLERANCES ARE ± 0.25 UNLESS OTHERWISE STATED.
2. CONNECTOR IS RoHS AND REACH COMPLIANT.
3. CONNECTOR IS TO BE USED WITH 30AWG WIRE.

ORDER CODE: M50-330XX42

No. OF CONTACTS PER ROW:
05, 06, 07, 08, 10,
13, 17, 20, 25

FINISH:
SELECTIVE GOLD, TIN

MGP	9	01.07.21	30628
NAME	ISS.	DATE	CN/CO
APPROVED: MGP			
CHECKED: RA			
DRAWN: R.ADDE			
CUSTOMER REF.:			
ASSEMBLY DRG:			

HARWIN

www.harwin.com
technical@harwin.com

THIS DRAWING AND ANY INFORMATION OR DESCRIPTIVE MATTER SET OUT HEREON ARE CONFIDENTIAL AND COPYRIGHT PROPERTY OF THE HARWIN GROUP AND MUST NOT BE DISCLOSED, LOANED, COPIED OR USED FOR MANUFACTURING, TENDERING OR FOR ANY OTHER PURPOSE WITHOUT THEIR WRITTEN PERMISSION.

TOLERANCES
~~X = $\pm 1\text{mm}$~~
~~X.X = $\pm 0.50\text{mm}$~~
~~X.XX = $\pm 0.20\text{mm}$~~
~~X.XXX = $\pm 0.01\text{mm}$~~
 ANGLES = $\pm 5^\circ$
 UNLESS STATED

MATERIAL:

SEE ABOVE

FINISH: SEE ABOVE

S/AREA: mm²

TITLE:

1.27mm DIL IDC
RIBBON CABLE CONNECTOR

DRAWING NUMBER:

M50-330XX42

SHT
2 OF 2

X-ON Electronics

Largest Supplier of Electrical and Electronic Components

Click to view similar products for [Headers & Wire Housings](#) category:

Click to view products by [Harwin](#) manufacturer:

Other Similar products are found below :

[892-18-020-10-001101](#) [58102-G61-06LF](#) [582553-1](#) [0009485154](#) [009176003701906](#) [0050291907](#) [LY20-4P-DT1-P1E-BR](#) [02.125.8002.8](#)
[609-3404](#) [61062-3](#) [622-0430](#) [622-3653LF](#) [63453-116](#) [636-1030](#) [636-1427](#) [636-3427](#) [636-4007](#) [641938-9](#) [641991-4](#) [644827-2](#) [65817-010LF](#)
[65817-015LF](#) [65863-015LF](#) [66207-023LF](#) [67095-007LF](#) [67601157](#) [68648-049](#) [70.362.1628.0](#) [70-4210](#) [70-4226B](#) [70-4853B](#) [707-5020](#) [707-5028](#) [71.350.2428.0](#) [71918-208LF](#) [71961-016LF](#) [733-134](#) [733-162](#) [754199-000](#) [760-3052](#) [787-8014-00](#) [79531-3000](#) [FCN-360C032-B](#) [FCN-367T-T012/H](#) [FCN-723D010/2](#) [80.063.4001.1](#) [800-90-001-10-001000](#) [800-90-010-10-002000](#) [801-43-002-10-013000](#) [801-43-006-10-002000](#)