

# Customer Information Sheet

DRAWING No.: M50-355XX42

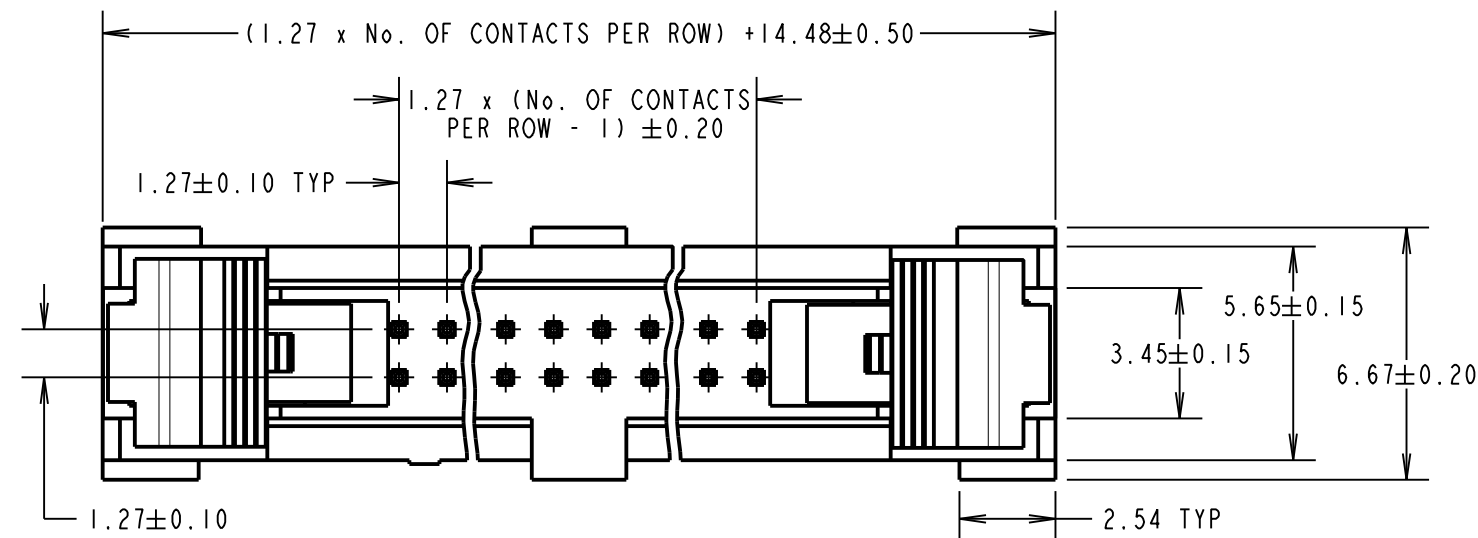
IF IN DOUBT - ASK

©

NOT TO SCALE

THIRD ANGLE PROJECTION

ALL DIMENSIONS IN mm



**SPECIFICATIONS:**

**MATERIALS:**

MOULD = LCP, 30% G/F, UL94V-0

CONTACT = BRASS

**FINISH:**

42 = 0.015-0.02µm GOLD ON CONTACTS,

2.54µm 100% TIN ON TAILS, OVER 0.76-2.03µm NICKEL

**MECHANICAL:**

DURABILITY = 300 CYCLES MIN

INSERTION FORCE = 1.0N MAX PER CONTACT

WITHDRAWAL FORCE = 0.14N MIN PER CONTACT

**ELECTRICAL:**

RATED CURRENT = 1.75A

CONTACT RESISTANCE = 20mΩ MAX

WITHSTAND VOLTAGE = 500V ACrms/DC FOR 1 MINUTE

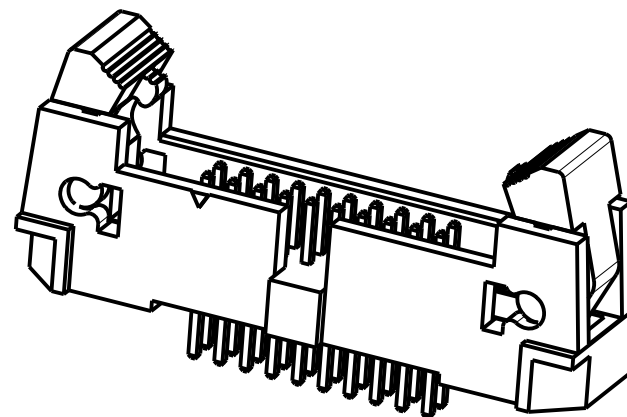
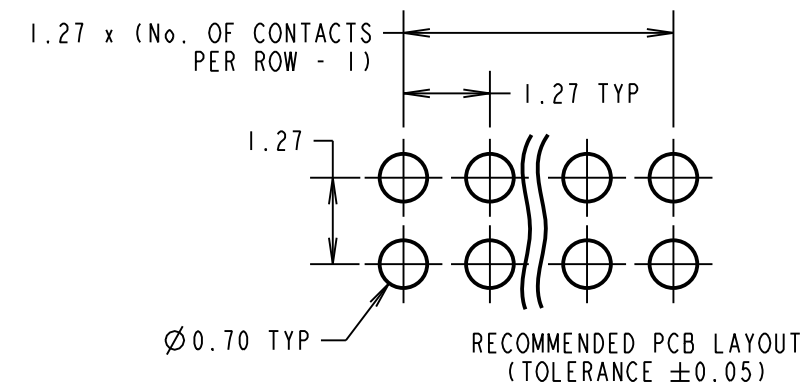
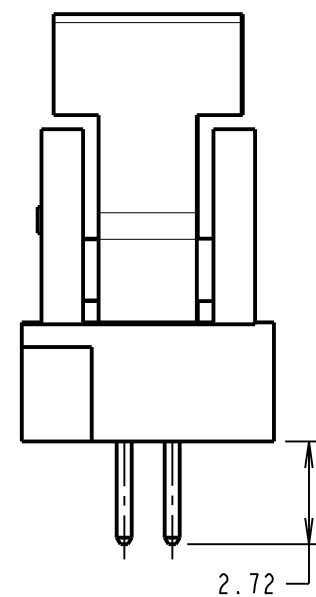
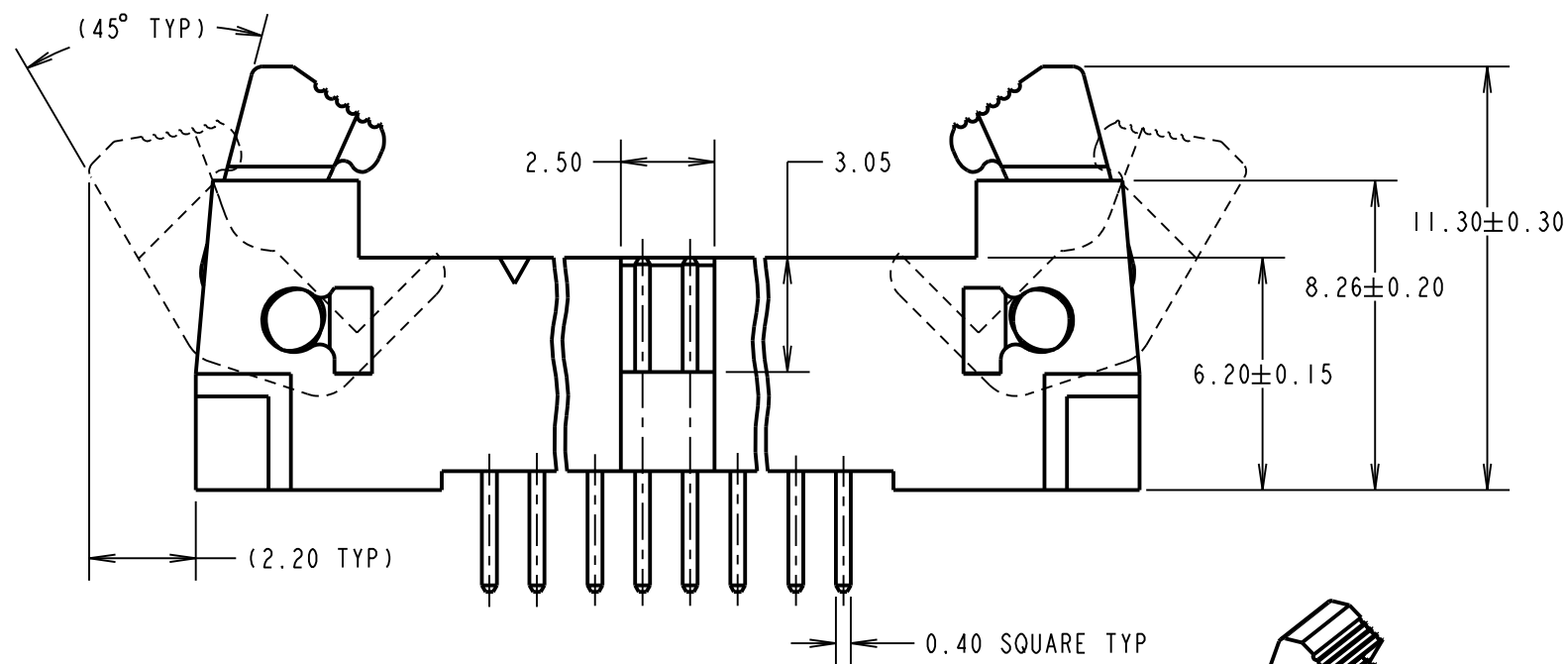
INSULATION RESISTANCE = 5000MΩ MIN

**ENVIRONMENTAL:**

OPERATING TEMPERATURE = -55°C TO +125°C

**PACKING:**

TUBE



**NOTES:**

1. FOR COMPLETE SPECIFICATION, SEE COMPONENT SPECIFICATION C029XX (LATEST ISSUE).
2. ALL TOLERANCES ARE ±0.25 UNLESS OTHERWISE STATED.
3. CONNECTOR IS RoHS AND REACH COMPLIANT.

**ORDER CODE: M50-355XX42**

No. OF CONTACTS PER ROW:   
05, 06, 07, 08, 10,  
13, 17, 20, 25

FINISH:   
SELECTIVE GOLD, TIN

MGP	8	01.07.21	30628
NAME	ISS.	DATE	CN/CO
APPROVED: MGP			
CHECKED: RA			
DRAWN: R.ADDE			
CUSTOMER REF.:			
ASSEMBLY DRG:			

**HARWIN**

www.harwin.com  
technical@harwin.com

THIS DRAWING AND ANY INFORMATION OR DESCRIPTIVE MATTER SET OUT HEREON ARE CONFIDENTIAL AND COPYRIGHT PROPERTY OF THE HARWIN GROUP AND MUST NOT BE DISCLOSED, LOANED, COPIED OR USED FOR MANUFACTURING, TENDERING OR FOR ANY OTHER PURPOSE WITHOUT THEIR WRITTEN PERMISSION.

**TOLERANCES**  
X = ±1mm  
X.X = ±0.50mm  
X.XX = ±0.20mm  
X.XXX = ±0.01mm  
ANGLES = ±5°  
UNLESS STATED

**MATERIAL:**

SEE ABOVE

**FINISH:**

SEE ABOVE

**S/AREA:**

mm<sup>2</sup>

**TITLE:**

1.27mm DIL PC TAIL  
EJECTOR HEADER

**DRAWING NUMBER:**

**M50-355XX42**

SHT  
2  
OF  
2

## X-ON Electronics

Largest Supplier of Electrical and Electronic Components

*Click to view similar products for [Headers & Wire Housings](#) category:*

*Click to view products by [Harwin](#) manufacturer:*

Other Similar products are found below :

[892-18-020-10-001101](#) [58102-G61-06LF](#) [582553-1](#) [0009485154](#) [009176003701906](#) [0050291907](#) [LY20-4P-DT1-P1E-BR](#) [02.125.8002.8](#)  
[609-3404](#) [61062-3](#) [622-0430](#) [622-3653LF](#) [63453-116](#) [636-1030](#) [636-1427](#) [636-3427](#) [636-4007](#) [641938-9](#) [641991-4](#) [644827-2](#) [65817-010LF](#)  
[65817-015LF](#) [65863-015LF](#) [66207-023LF](#) [67095-007LF](#) [67601157](#) [68648-049](#) [70.362.1628.0](#) [70-4210](#) [70-4226B](#) [70-4853B](#) [707-5020](#) [707-](#)  
[5028](#) [71.350.2428.0](#) [71918-208LF](#) [71961-016LF](#) [733-134](#) [733-162](#) [754199-000](#) [760-3052](#) [787-8014-00](#) [79531-3000](#) [FCN-360C032-B](#) [FCN-](#)  
[367T-T012/H](#) [FCN-723D010/2](#) [80.063.4001.1](#) [800-90-001-10-001000](#) [800-90-010-10-002000](#) [801-43-002-10-013000](#) [801-43-006-10-002000](#)