

# Customer Information Sheet

DRAWING No.: M50-360XX42R

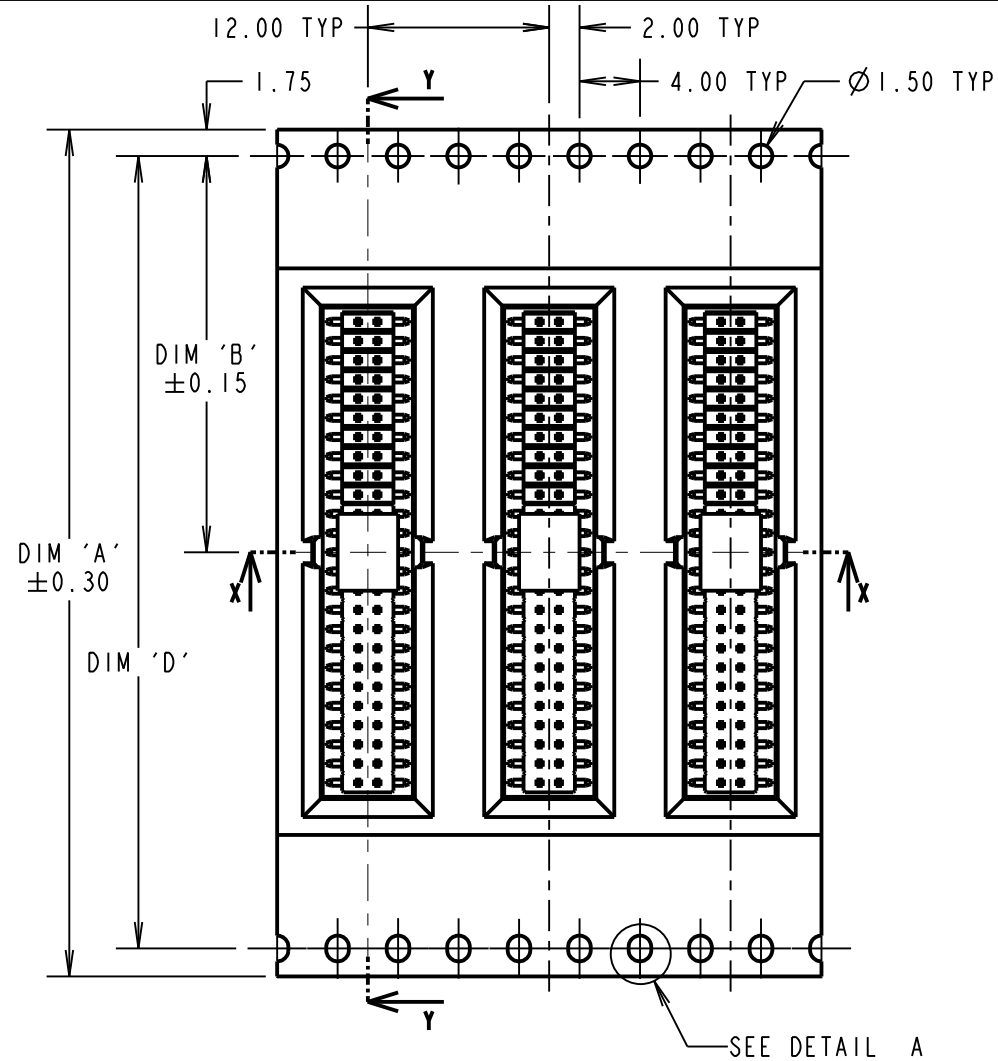
IF IN DOUBT - ASK

©

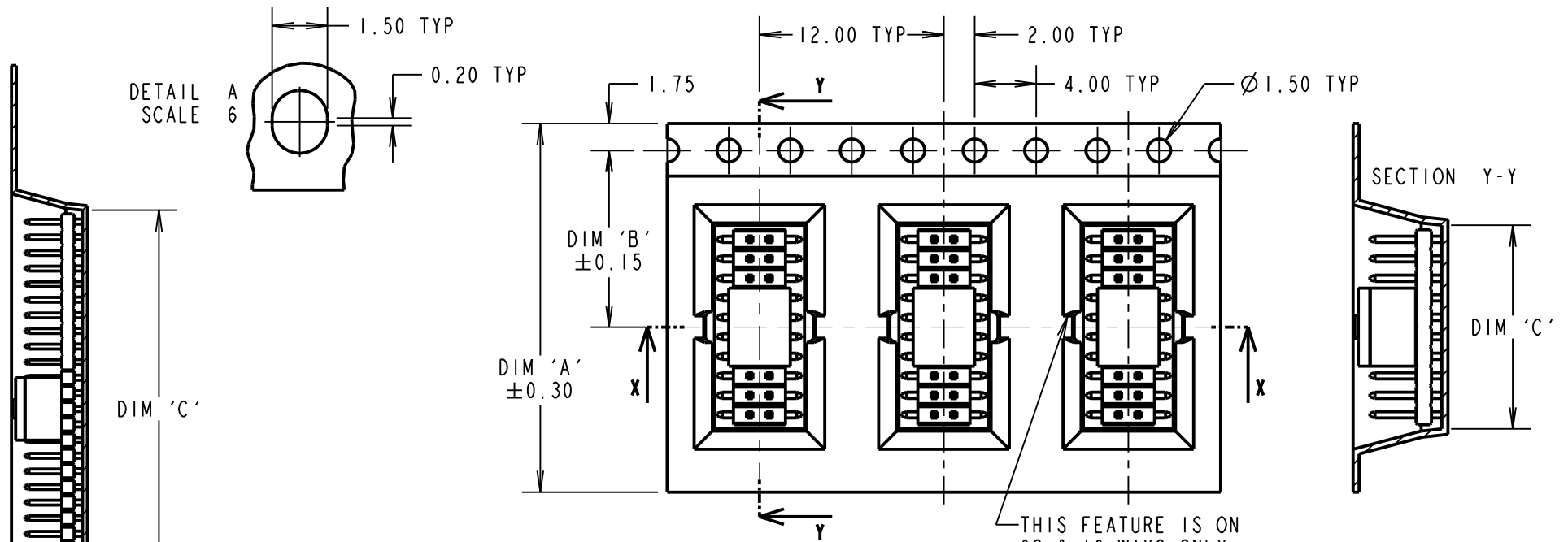
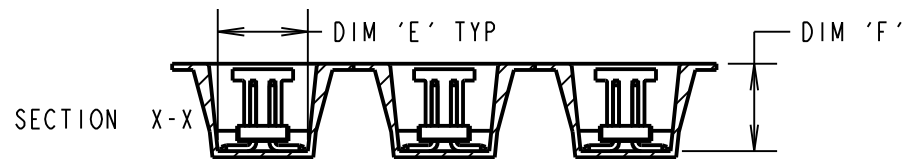
NOT TO SCALE

THIRD ANGLE PROJECTION

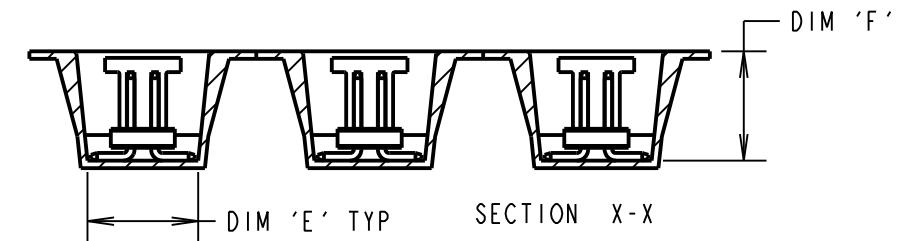
ALL DIMENSIONS IN mm



TAPE DETAILS FOR 20 & 25 WAYS



TAPE DETAILS FOR 02, 03, 04, 05, 06, 08 & 10 WAYS

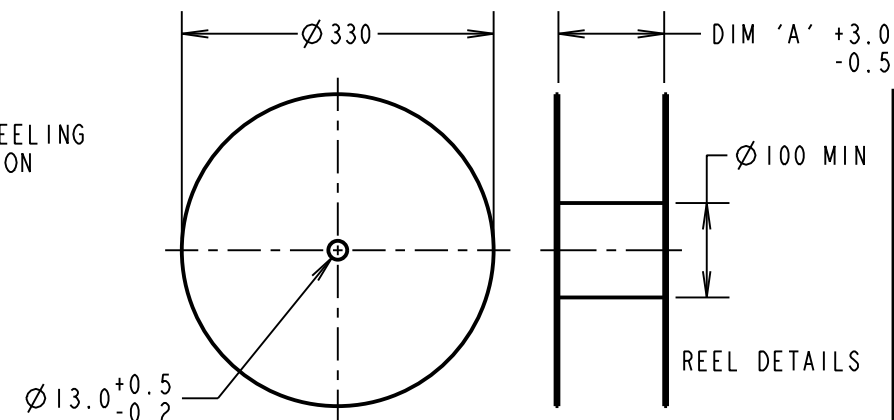
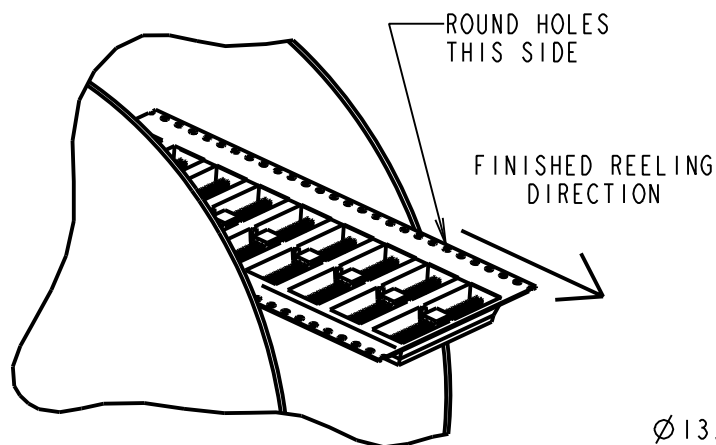


ORDER CODE:

**M50-360XX42R**

No. OF CONTACTS PER ROW:  
02, 03, 04, 05, 06, 08, 10, 20, 25

FINISH:  
42 = SELECTIVE GOLD & 100% TIN OVER NICKEL



MGP	16	05.01.22	31219
NAME	ISS.	DATE	CN/CO
APPROVED: MGP			
CHECKED: MR			
DRAWN:		R.ADDE	
CUSTOMER REF.:			
ASSEMBLY DRG:			

REELED PART No.	DIM 'A'	DIM 'B'	DIM 'C'	DIM 'D'	DIM 'E'	DIM 'F'	REEL QTY
M50-3600242R	16.00	7.50	3.60	N/A	5.85	5.78	750
M50-3600342R			4.00				
M50-3600442R			5.40				
M50-3600542R			6.65				
M50-3600642R	24.00	11.50	7.90	N/A	5.85	6.15	800
M50-3600842R			10.79				
M50-3601042R			13.00				
M50-3602042R	44.00	20.20	25.70	40.40	5.95	5.78	750
M50-3602542R	56.00	26.20	32.10	52.40			

- NOTES:
- CUMULATIVE TOLERANCES OVER 10 PITCHES = ±0.20mm
  - TAPE & REELING TO BE IN ACCORDANCE WITH EIA-481 (ELECTRONIC INDUSTRIES ASSOCIATION).
  - FOR CONNECTOR DETAILS SEE SHEET 4.

**HARWIN**

www.harwin.com  
technical@harwin.com

THIS DRAWING AND ANY INFORMATION OR DESCRIPTIVE MATTER SET OUT HEREON ARE CONFIDENTIAL AND COPYRIGHT PROPERTY OF THE HARWIN GROUP AND MUST NOT BE DISCLOSED, LOANED, COPIED OR USED FOR MANUFACTURING, TENDERING OR FOR ANY OTHER PURPOSE WITHOUT THEIR WRITTEN PERMISSION.

TOLERANCES  
X. = ±1mm  
X.X = ±0.50mm  
X.XX = ±0.20mm  
X.XXX = ±0.01mm  
ANGLES = ±5°  
UNLESS STATED

MATERIAL:  
SEE ABOVE  
FINISH: SEE ABOVE  
S/AREA: mm<sup>2</sup>

TITLE: 1.27mm PITCH DIL SMT VERT  
LOW PROFILE SOCKET ASSY  
(TAPE & REEL)

DRAWING NUMBER:  
**M50-360XX42R**

SHT  
3  
OF  
4

# Customer Information Sheet

DRAWING No.: M50-360XX42R

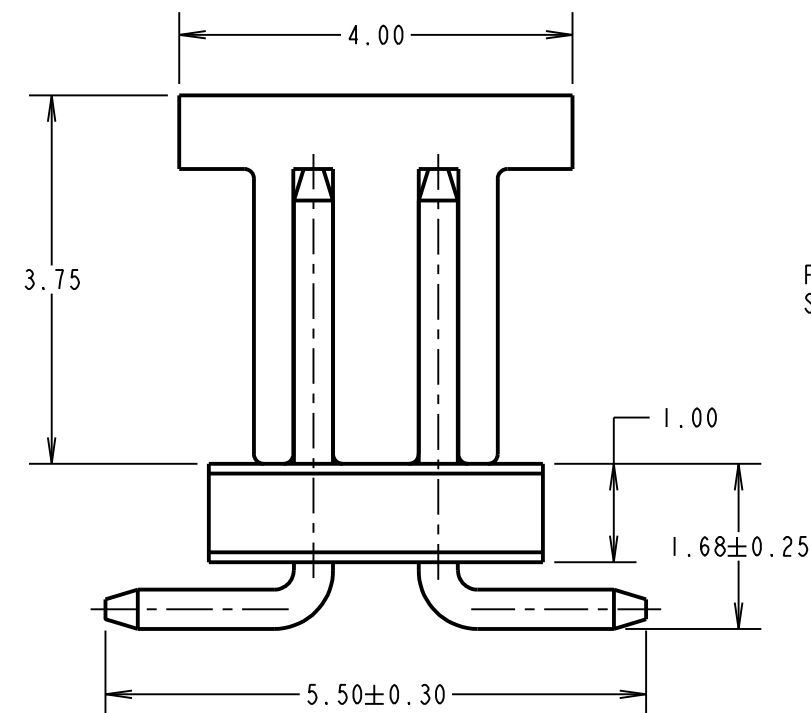
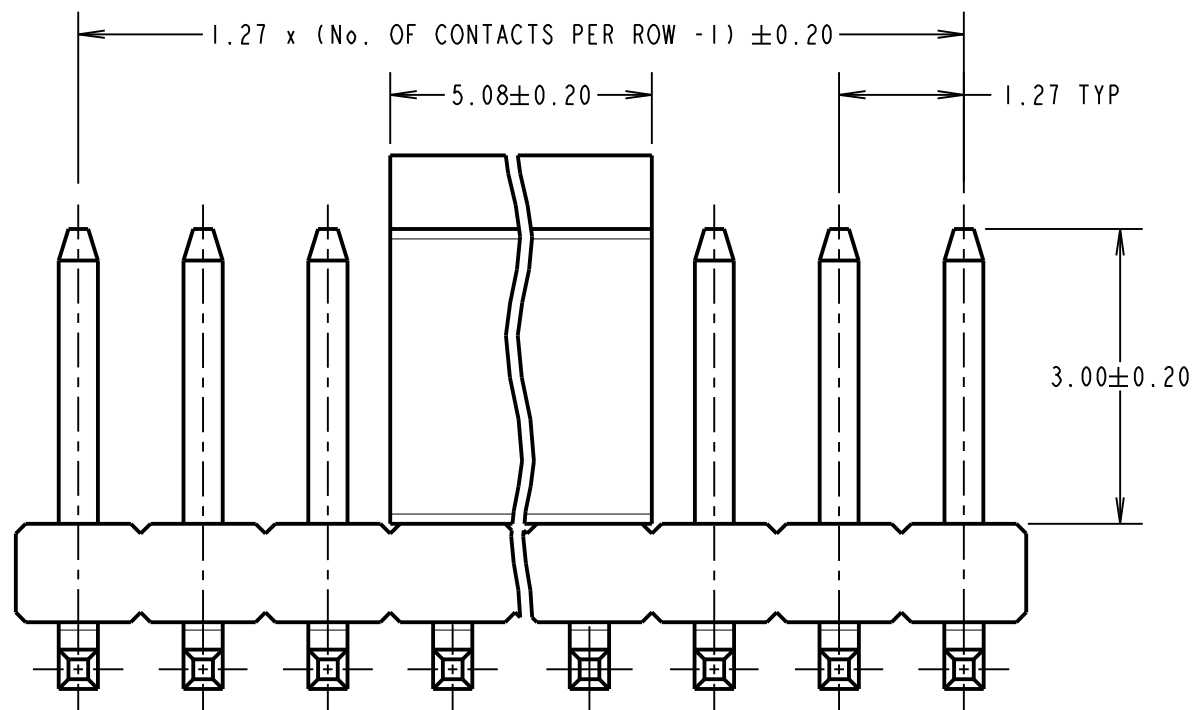
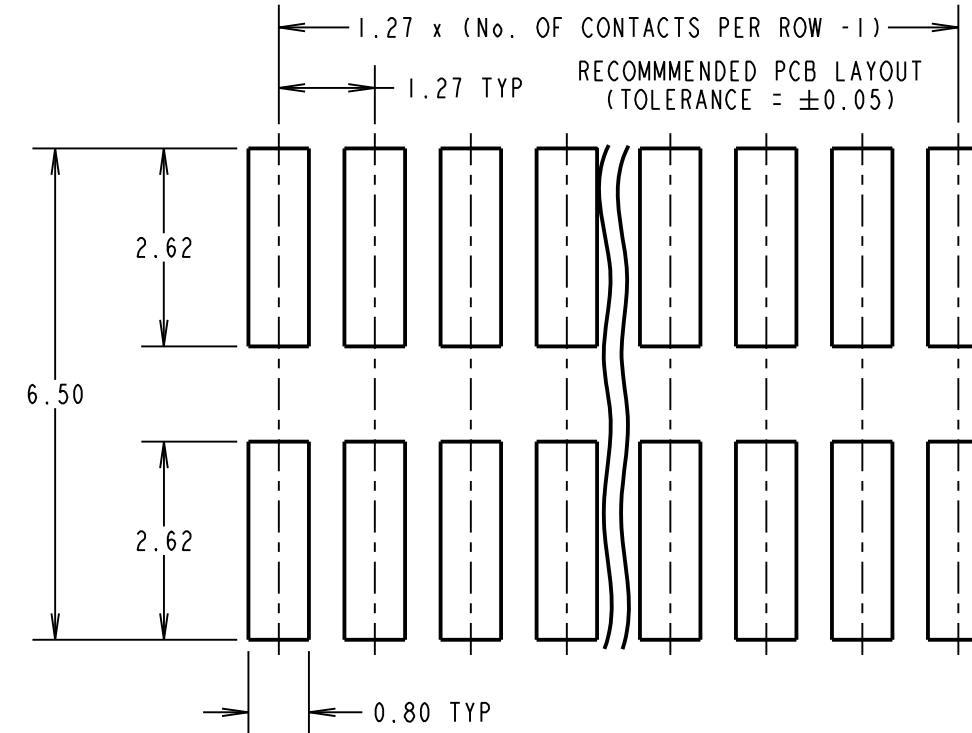
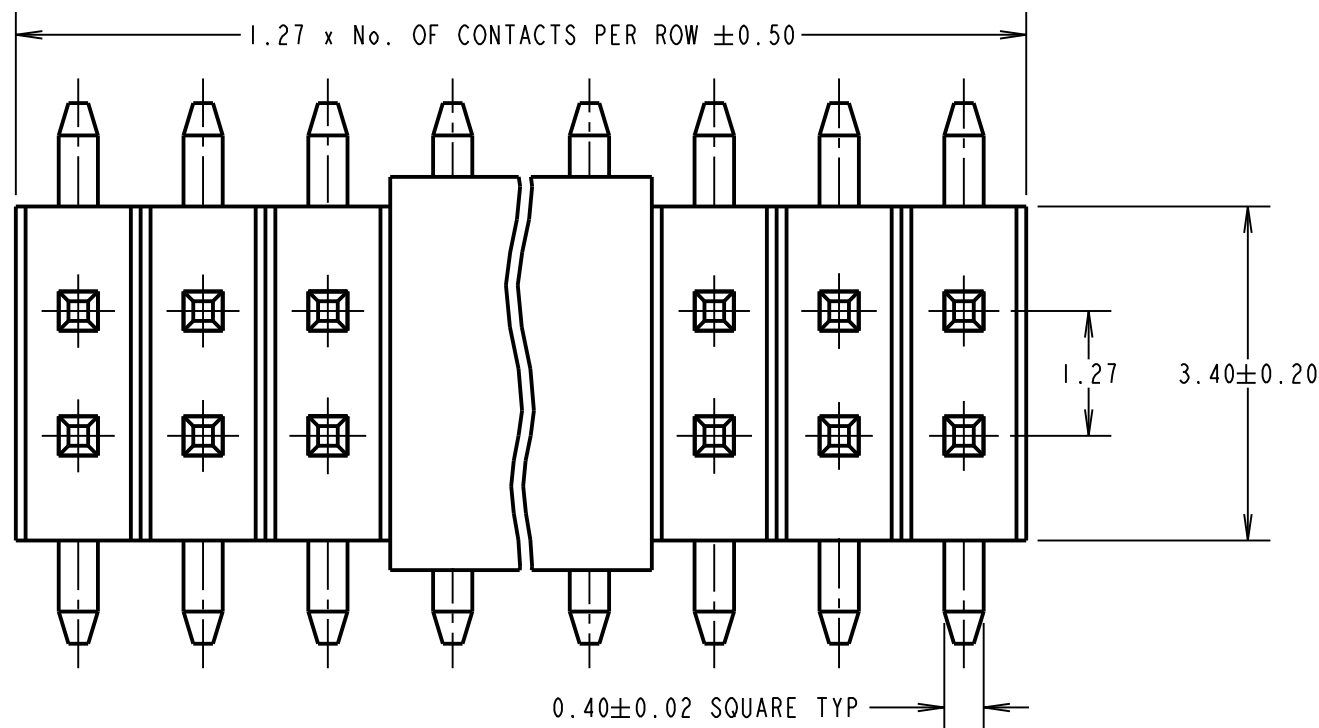
IF IN DOUBT - ASK

©

NOT TO SCALE

THIRD ANGLE PROJECTION

ALL DIMENSIONS IN mm



**SPECIFICATIONS:**

**MATERIAL:**

MOULDING = HIGH TEMP THERMOPLASTIC,  
UL94V-0, BLACK

CONTACTS = COPPER ALLOY

**FINISH:**

CONTACTS = 0.70 TO 1.30  $\mu\text{m}$  NICKEL ALL OVER,  
0.08 TO 0.15  $\mu\text{m}$  GOLD ON CONTACT AREA,  
2.50 TO 3.00  $\mu\text{m}$  100% TIN ON TAILS

**PACKING:**

BOX  
FOR COMPLETE SPECIFICATION, SEE COMPONENT  
SPECIFICATION C029XX (LATEST ISSUE)

**NOTES:**

- CO-PLANARITY OF TAILS FOR 02 TO 30 CONTACTS PER ROW = 0.15mm,  
31 TO 50 CONTACTS PER ROW = 0.20mm.
- ALL TOLERANCES ARE  $\pm 0.15$ , UNLESS OTHERWISE STATED.
- FOR TAPE AND REEL DETAILS, SEE SHEET 3.

ORDER CODE:

**M50-360XX42R**

No. OF CONTACTS PER ROW: \_\_\_\_\_  
02, 03, 04, 05, 06, 08, 10, 20, 25

FINISH: \_\_\_\_\_  
42 = SELECTIVE GOLD & 100% TIN OVER NICKEL

**HARWIN**

www.harwin.com  
technical@harwin.com

THIS DRAWING AND ANY  
INFORMATION OR DESCRIPTIVE  
MATTER SET OUT HEREON ARE  
CONFIDENTIAL AND COPYRIGHT  
PROPERTY OF THE HARWIN  
GROUP AND MUST NOT BE  
DISCLOSED, LOANED, COPIED  
OR USED FOR MANUFACTURING,  
TENDERING OR FOR ANY  
OTHER PURPOSE WITHOUT  
THEIR WRITTEN PERMISSION.

**TOLERANCES**

~~X =  $\pm 1\text{mm}$   
X.X =  $\pm 0.50\text{mm}$   
X.XX =  $\pm 0.20\text{mm}$   
X.XXX =  $\pm 0.01\text{mm}$   
ANGLES =  $\pm 5^\circ$   
UNLESS STATED~~

**MATERIAL:**

SEE ABOVE

FINISH: SEE ABOVE

S/AREA: mm<sup>2</sup>

TITLE: 1.27mm PITCH DIL SMT VERT  
LOW PROFILE SOCKET ASSY  
(TAPE & REEL)

DRAWING NUMBER:

**M50-360XX42R**

SHT  
4  
OF  
4

MGP	16	05.01.21	31219
NAME	ISS.	DATE	CN/CO
APPROVED: MGP			
CHECKED: MR			
DRAWN:		R.ADDE	
CUSTOMER REF.:			
ASSEMBLY DRG:			

## X-ON Electronics

Largest Supplier of Electrical and Electronic Components

*Click to view similar products for [Headers & Wire Housings](#) category:*

*Click to view products by [Harwin](#) manufacturer:*

Other Similar products are found below :

[892-18-020-10-001101](#) [58102-G61-06LF](#) [582553-1](#) [0009485154](#) [009176003701906](#) [0050291907](#) [LY20-4P-DT1-P1E-BR](#) [02.125.8002.8](#)  
[609-3404](#) [61062-3](#) [622-0430](#) [622-3653LF](#) [63453-116](#) [636-1030](#) [636-1427](#) [636-3427](#) [636-4007](#) [641938-9](#) [641991-4](#) [644827-2](#) [65817-010LF](#)  
[65817-015LF](#) [65863-015LF](#) [66207-023LF](#) [67095-007LF](#) [67601157](#) [68648-049](#) [70.362.1628.0](#) [70-4210](#) [70-4226B](#) [70-4853B](#) [707-5020](#) [707-](#)  
[5028](#) [71.350.2428.0](#) [71918-208LF](#) [71961-016LF](#) [733-134](#) [733-162](#) [754199-000](#) [760-3052](#) [787-8014-00](#) [79531-3000](#) [FCN-360C032-B](#) [FCN-](#)  
[367T-T012/H](#) [FCN-723D010/2](#) [80.063.4001.1](#) [800-90-001-10-001000](#) [800-90-010-10-002000](#) [801-43-002-10-013000](#) [801-43-006-10-002000](#)