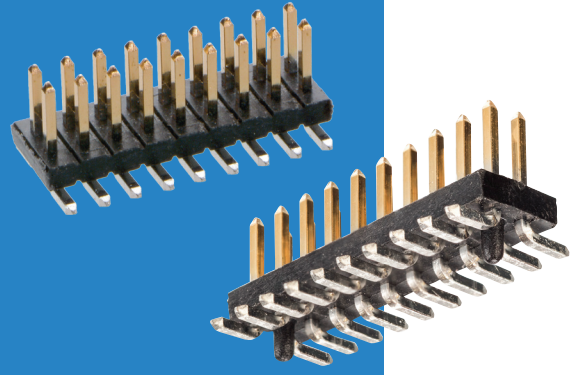


Archer Connectors – M50

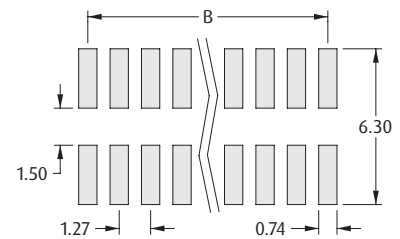
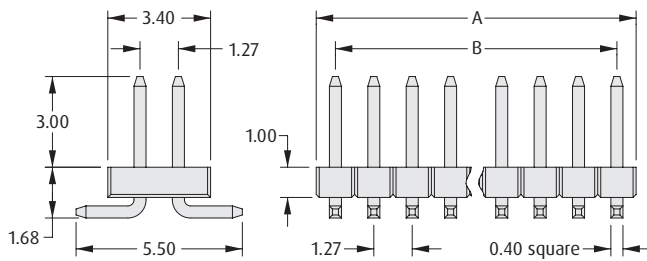
1.27mm (.050") PITCH

Male Vertical Surface Mount Double Row

- ❖ Suitable for use with female connectors and jumper sockets.
- ❖ Available with or without location posts.
- ❖ Tape and Reel packaging option includes Pick and Place cap for automated assembly.



WITHOUT POSTS

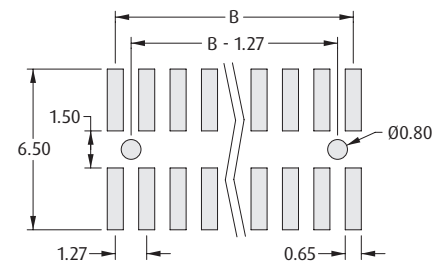
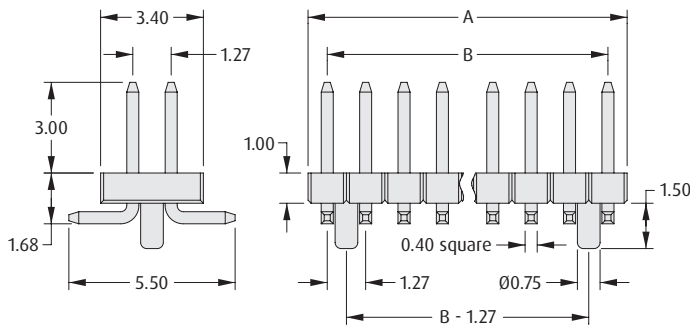


Recommended PC Board Pattern

CALCULATION

A	1.27 x No. of contacts per row
B	1.27 x (No. of contacts per row - 1)

WITH POSTS



Recommended PC Board Pattern

HOW TO ORDER

M50 - 36 X XX 42 X

SERIES CODE

TYPE

0	Without Posts
1	With Posts

NO. OF CONTACTS PER ROW

02, 03, 05 to 10, 12, 15, 20, 25, 30, 50	Without Posts
05 to 08, 10, 12, 15, 20, 25	With Posts

PACKAGING

Blank	Loose
R	Tape & Reeled (check website for available sizes)

FINISH

42	Gold + Tin
-----------	------------

All dimensions in mm.

X-ON Electronics

Largest Supplier of Electrical and Electronic Components

Click to view similar products for [Headers & Wire Housings](#) category:

Click to view products by [Harwin](#) manufacturer:

Other Similar products are found below :

[892-18-020-10-001101](#) [58102-G61-06LF](#) [582553-1](#) [0009485154](#) [009176003701906](#) [0050291907](#) [LY20-4P-DT1-P1E-BR](#) [02.125.8002.8](#)
[609-3404](#) [61062-3](#) [622-0430](#) [622-3653LF](#) [63453-116](#) [636-1030](#) [636-1427](#) [636-3427](#) [636-4007](#) [641938-9](#) [641991-4](#) [644827-2](#) [65817-010LF](#)
[65817-015LF](#) [65863-015LF](#) [66207-023LF](#) [67095-007LF](#) [67601157](#) [68648-049](#) [70.362.1628.0](#) [70-4210](#) [70-4226B](#) [70-4853B](#) [707-5020](#) [707-5028](#) [71.350.2428.0](#) [71918-208LF](#) [71961-016LF](#) [733-134](#) [733-162](#) [754199-000](#) [760-3052](#) [787-8014-00](#) [79531-3000](#) [FCN-360C032-B](#) [FCN-367T-T012/H](#) [FCN-723D010/2](#) [80.063.4001.1](#) [800-90-001-10-001000](#) [800-90-010-10-002000](#) [801-43-002-10-013000](#) [801-43-006-10-002000](#)