

# Customer Information Sheet

DRAWING No.: M50-361XX42

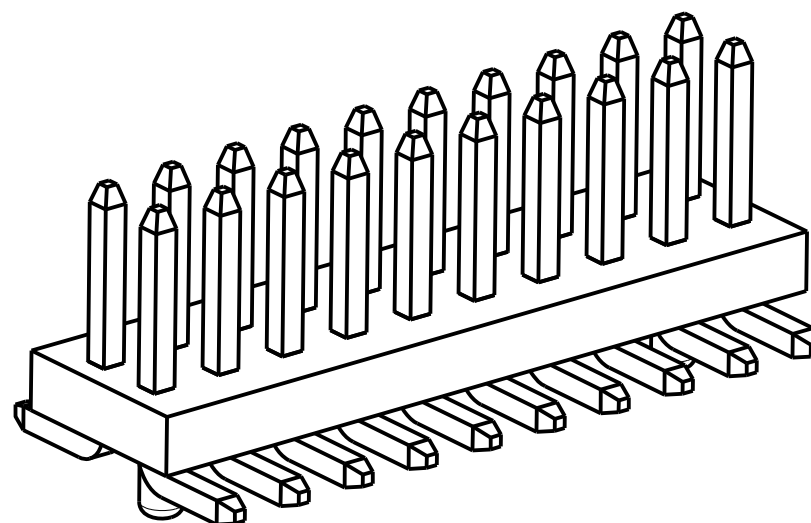
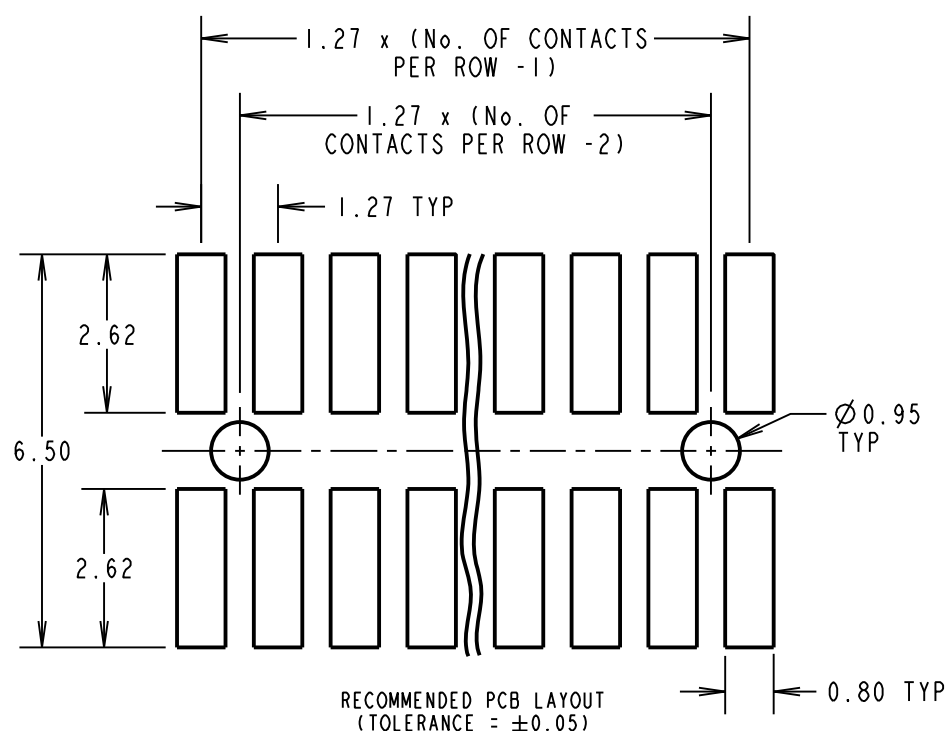
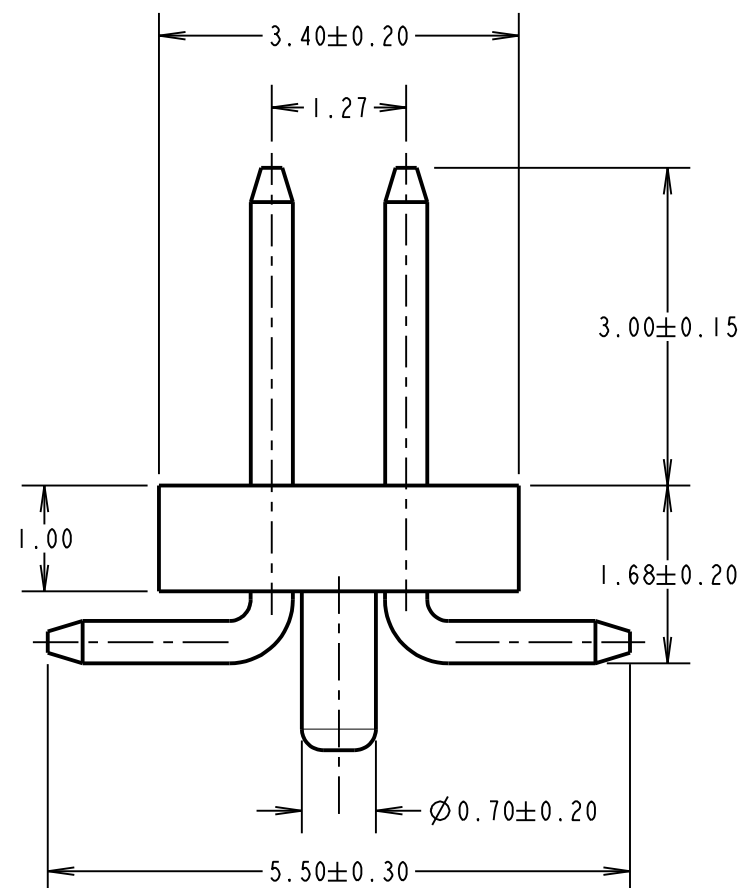
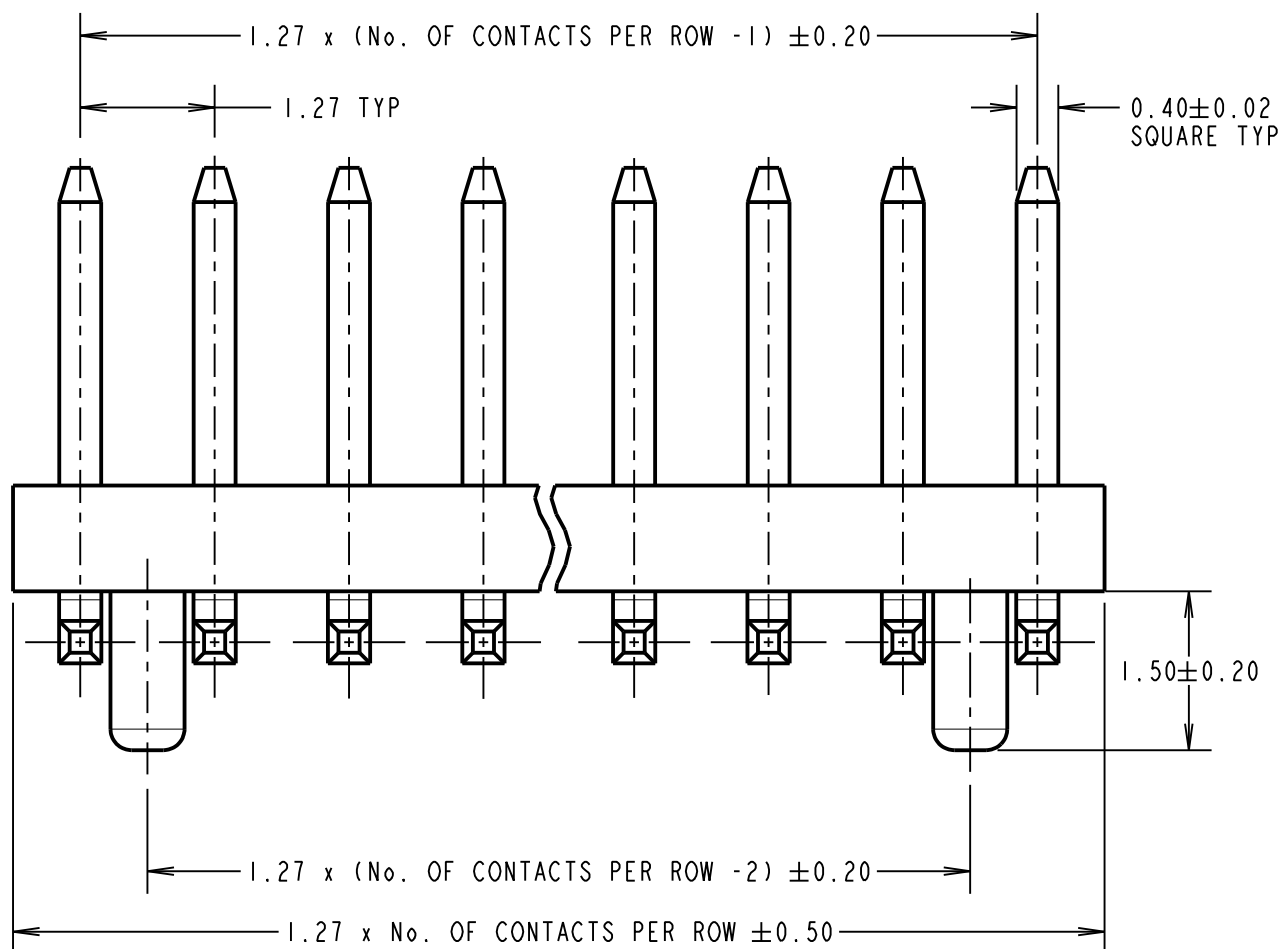
IF IN DOUBT - ASK

©

NOT TO SCALE

THIRD ANGLE PROJECTION

ALL DIMENSIONS IN mm



SPECIFICATIONS:  
 MATERIAL:  
 MOULDING = HIGH TEMP THERMOPLASTIC, UL94V-0, BLACK  
 CONTACTS = BRASS  
 FINISH:  
 CONTACTS = 0.76 TO 2.03µm NICKEL ALL OVER, 0.02 TO 0.08µm GOLD ON CONTACT AREA, 2.03 TO 5.08µm 100% TIN ON TAILS  
 ELECTRICAL:  
 CURRENT RATING = 1A  
 CONTACT RESISTANCE = 20mΩ MAX  
 INSULATION RESISTANCE = 1000MΩ MIN  
 DIELECTRIC WITHSTANDING = 500V AC FOR ONE MINUTE  
 VOLTAGE RATING = 250V AC/DC  
 MECHANICAL:  
 DURABILITY = 300 CYCLES MIN  
 ENVIRONMENTAL:  
 TEMPERATURE RANGE = -55°C TO +105°C  
 PACKING:  
 BOX  
 FOR COMPLETE SPECIFICATION, SEE COMPONENT SPECIFICATION C029XX (LATEST ISSUE)

ORDER CODE: **M50-361XX42**

No. OF CONTACTS PER ROW: \_\_\_\_\_  
 05, 06, 07, 08, 10, 12,  
 15, 20, 25  
 FINISH: \_\_\_\_\_  
 42 = SELECTIVE GOLD & 100% TIN OVER NICKEL

MGP	3	19.10.20	30242
NAME	ISS.	DATE	CN/CO
APPROVED: MGP			
CHECKED: MR			
DRAWN: M.PERREN			
CUSTOMER REF.:			
ASSEMBLY DRG:			

**HARWIN**

www.harwin.com  
 technical@harwin.com

THIS DRAWING AND ANY INFORMATION OR DESCRIPTIVE MATTER SET OUT HEREON ARE CONFIDENTIAL AND COPYRIGHT PROPERTY OF THE HARWIN GROUP AND MUST NOT BE DISCLOSED, LOANED, COPIED OR USED FOR MANUFACTURING, TENDERING OR FOR ANY OTHER PURPOSE WITHOUT THEIR WRITTEN PERMISSION.

TOLERANCES  
 X. = ± 1mm  
 X.X = ± 0.50mm  
 X.XX = ± 0.20mm  
 X.XXX = ± 0.01mm  
 ANGLES = ± 5°  
 UNLESS STATED

MATERIAL: SEE ABOVE  
 FINISH: SEE ABOVE  
 S/AREA: mm<sup>2</sup>

TITLE: 1.27mm PITCH DIL VERTICAL SMT PIN HEADER WITH LOCATION PEGS

DRAWING NUMBER: **M50-361XX42** SHT 2 OF 2

## X-ON Electronics

Largest Supplier of Electrical and Electronic Components

*Click to view similar products for [Headers & Wire Housings](#) category:*

*Click to view products by [Harwin](#) manufacturer:*

Other Similar products are found below :

[892-18-020-10-001101](#) [58102-G61-06LF](#) [582553-1](#) [0009485154](#) [009176003701906](#) [0050291907](#) [LY20-4P-DT1-P1E-BR](#) [02.125.8002.8](#)  
[609-3404](#) [61062-3](#) [622-0430](#) [622-3653LF](#) [63453-116](#) [636-1030](#) [636-1427](#) [636-3427](#) [636-4007](#) [641938-9](#) [641991-4](#) [644827-2](#) [65817-010LF](#)  
[65817-015LF](#) [65863-015LF](#) [66207-023LF](#) [67095-007LF](#) [67601157](#) [68648-049](#) [70.362.1628.0](#) [70-4210](#) [70-4226B](#) [70-4853B](#) [707-5020](#) [707-5028](#) [71.350.2428.0](#) [71918-208LF](#) [71961-016LF](#) [733-134](#) [733-162](#) [754199-000](#) [760-3052](#) [787-8014-00](#) [79531-3000](#) [FCN-360C032-B](#) [FCN-367T-T012/H](#) [FCN-723D010/2](#) [80.063.4001.1](#) [800-90-001-10-001000](#) [800-90-010-10-002000](#) [801-43-002-10-013000](#) [801-43-006-10-002000](#)