

Customer Information Sheet

DRAWING No.: M50-363XX42X

IF IN DOUBT - ASK

©

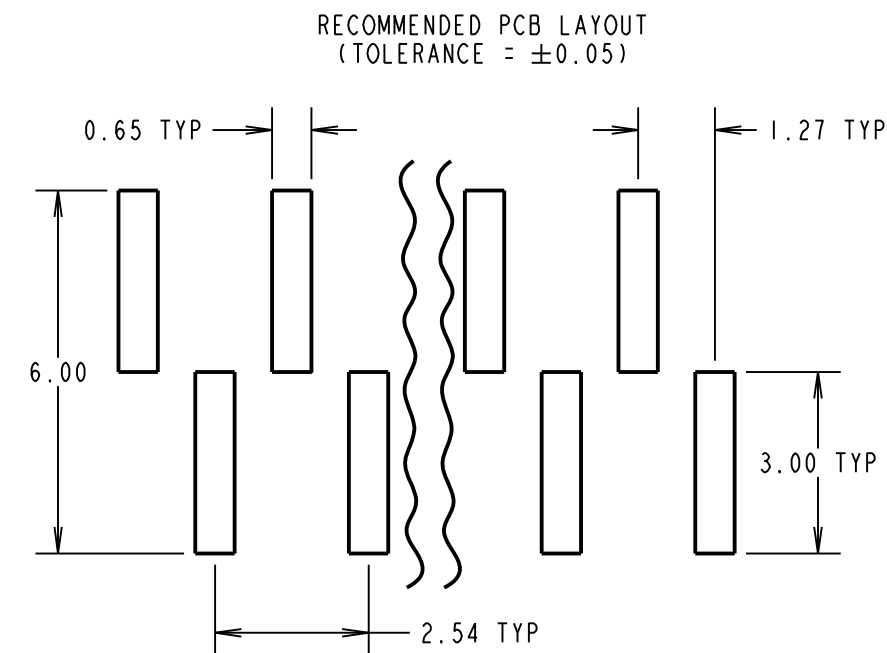
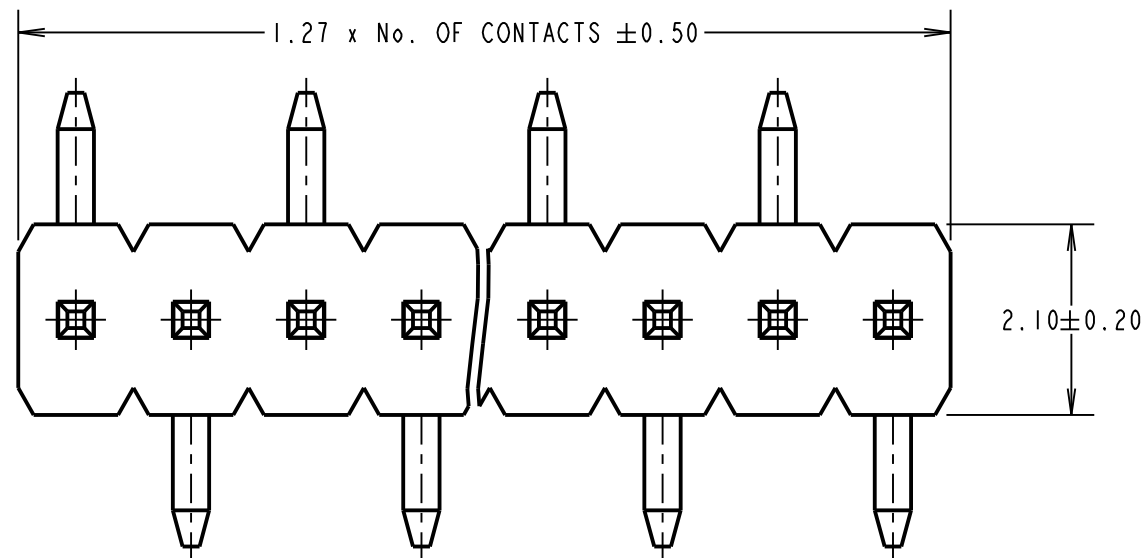
NOT TO SCALE

THIRD ANGLE PROJECTION

ALL DIMENSIONS IN mm

SPECIFICATION:
MATERIAL:
 MOULDING = PA9T, UL94V-0, BLACK
 CONTACT = BRASS
 FINISH = 0.76-1.52µm NICKEL ALL OVER,
 0.012µm MIN GOLD ON CONTACT AREA,
 2.54-5.08µm 100% TIN ON TAILS
ELECTRICAL:
 CURRENT RATING = 1A
 CONTACT RESISTANCE = 20mΩ MAX
 INSULATION RESISTANCE = 1000MΩ MAX
 VOLTAGE PROOF = 500V AC FOR ONE MINUTE
MECHANICAL:
 DURABILITY = 500 CYCLES
ENVIRONMENTAL:
 OPERATING TEMPERATURE = -40°C TO +105°C
PACKING:
 SEE ORDER CODE
 FOR COMPLETE SPECIFICATION, SEE COMPONENT
 SPECIFICATION C029XX (LATEST ISSUE)

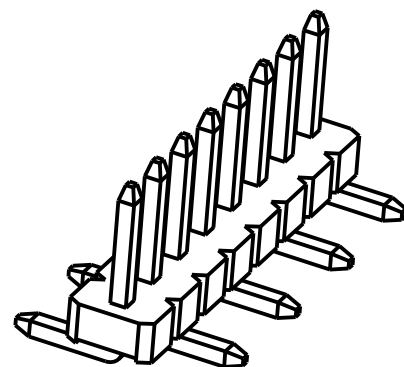
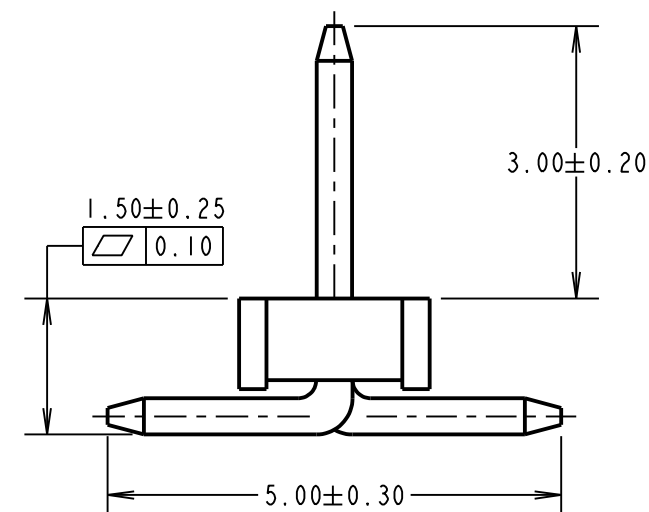
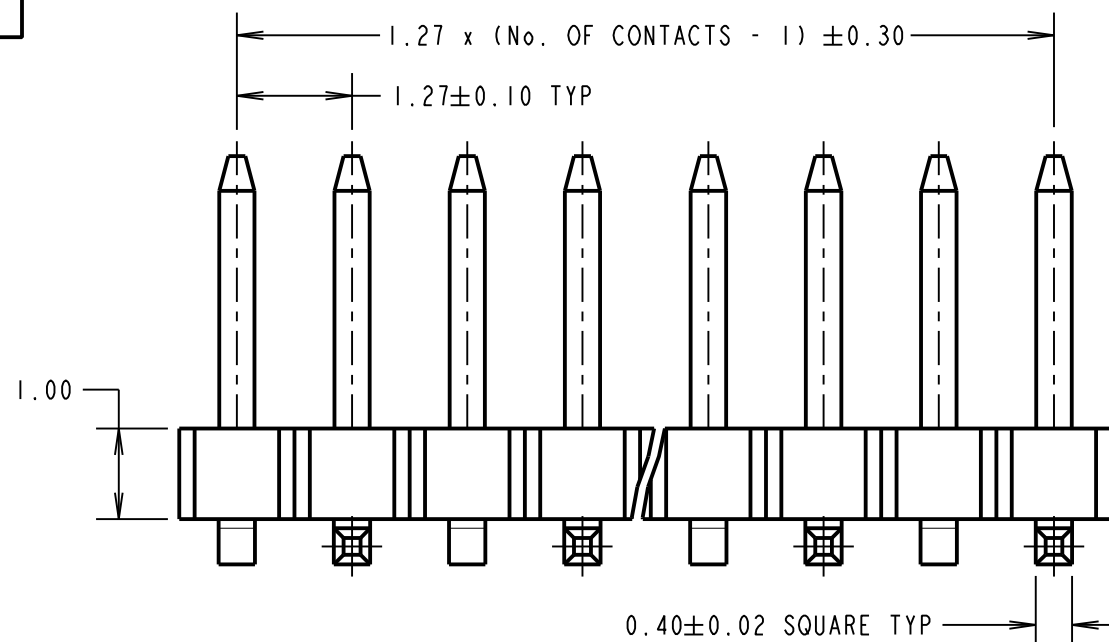
NOTES:
 1. FOR TAPE AND REEL DETAILS, SEE SHEET 4.



ORDER CODE:
M50-363XX42X

No. OF CONTACTS: _____
 02 TO 06, 08, 10, 20

PACKING: _____
 BLANK = TUBE
 R = TAPE AND REEL (SHEET 4)



MGP	2	14.01.19	21740
NAME	ISS.	DATE	C/NOTE
APPROVED: MGP			
CHECKED: SB			
DRAWN: S.BENNETT			
CUSTOMER REF.:			
ASSEMBLY DRG:			

HARWIN

www.harwin.com
 technical@harwin.com

THIS DRAWING AND ANY
 INFORMATION OR DESCRIPTIVE
 MATTER SET OUT HEREON ARE
 CONFIDENTIAL AND COPYRIGHT
 PROPERTY OF THE HARWIN
 GROUP AND MUST NOT BE
 DISCLOSED, LOANED, COPIED
 OR USED FOR MANUFACTURING,
 TENDERING OR FOR ANY
 OTHER PURPOSE WITHOUT
 THEIR WRITTEN PERMISSION.

TOLERANCES
 X. = ±1mm
 X.X = ±0.50mm
 X.XX = ±0.10mm
 X.XXX = ±0.01mm
 ANGLES = ±5°
 UNLESS STATED

MATERIAL:
 SEE ABOVE
FINISH: SEE ABOVE
S/AREA: mm²

TITLE:
 1.27mm PITCH, SIL VERTICAL
 SMT HEADER
DRAWING NUMBER:
M50-363XX42X

SHT
 3
 OF
 4

Customer Information Sheet

DRAWING No.: M50-363XX42X

IF IN DOUBT - ASK

©

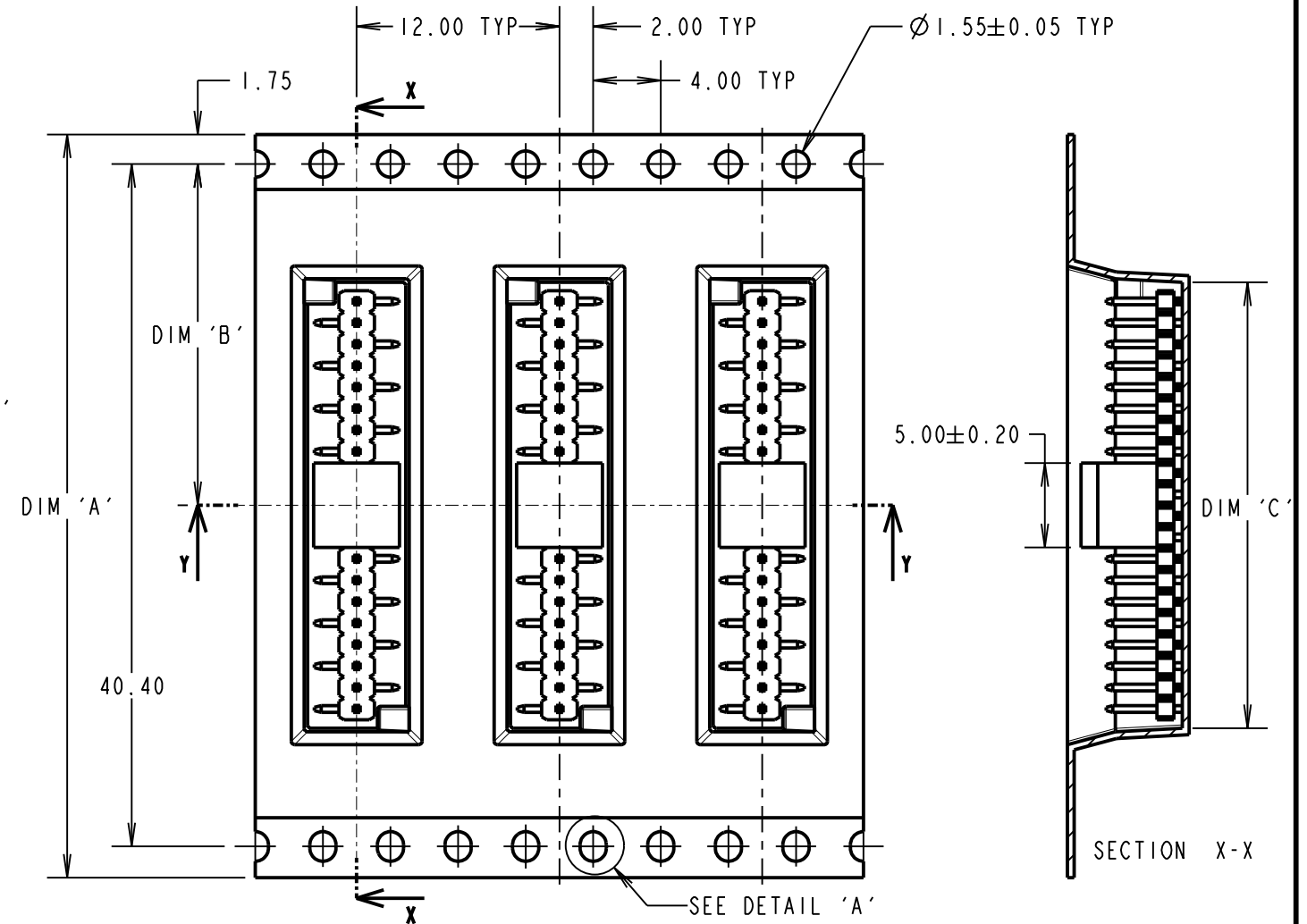
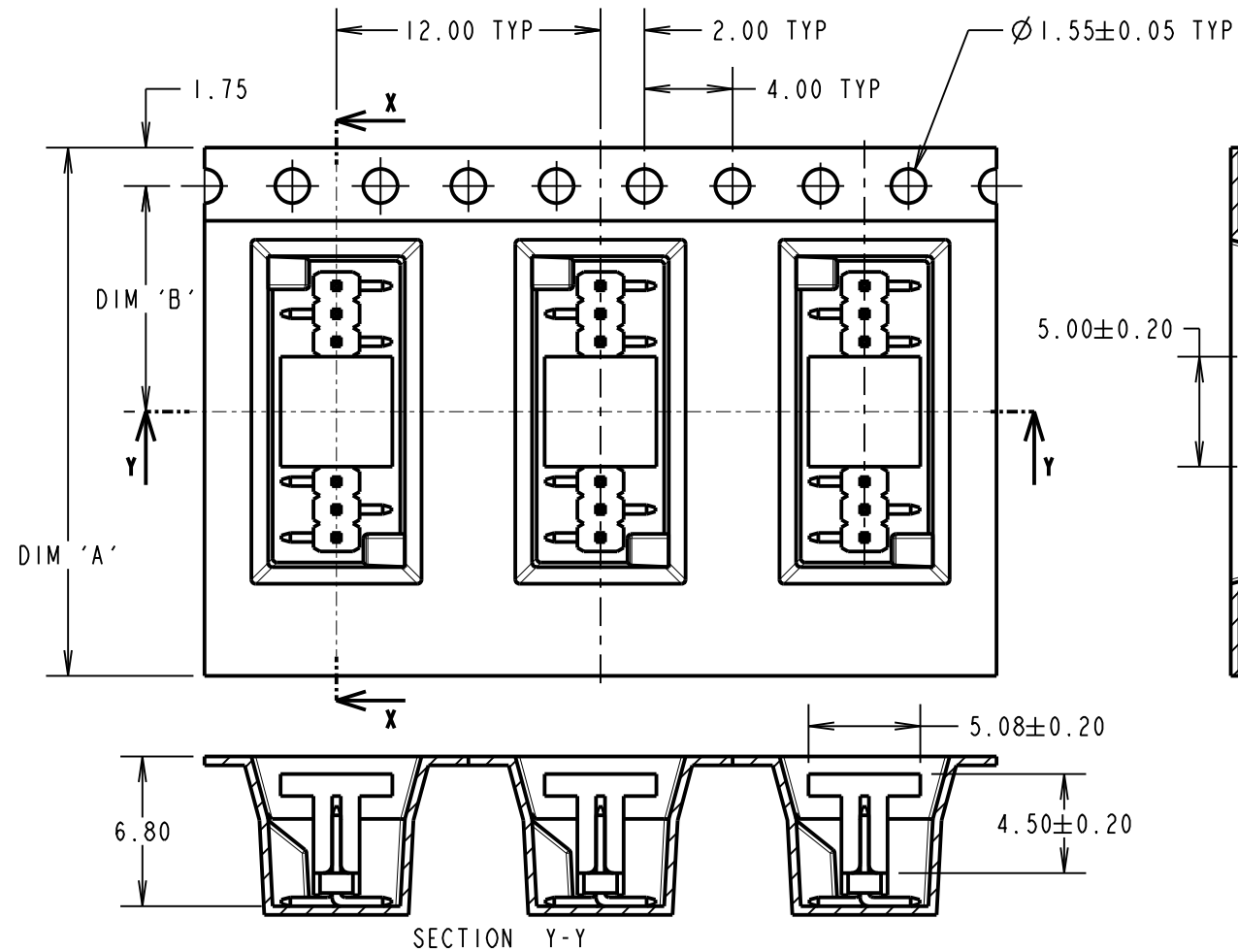
NOT TO SCALE

THIRD ANGLE PROJECTION

ALL DIMENSIONS IN mm

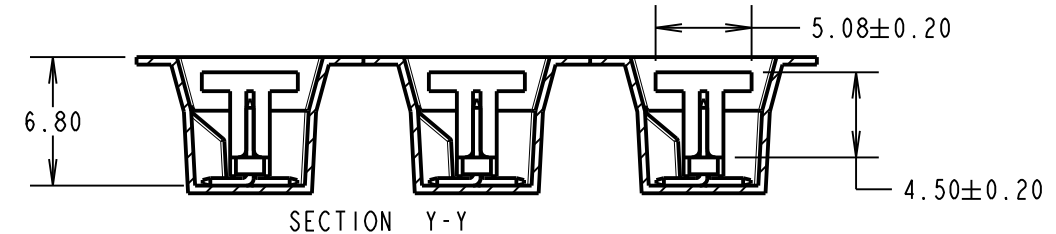
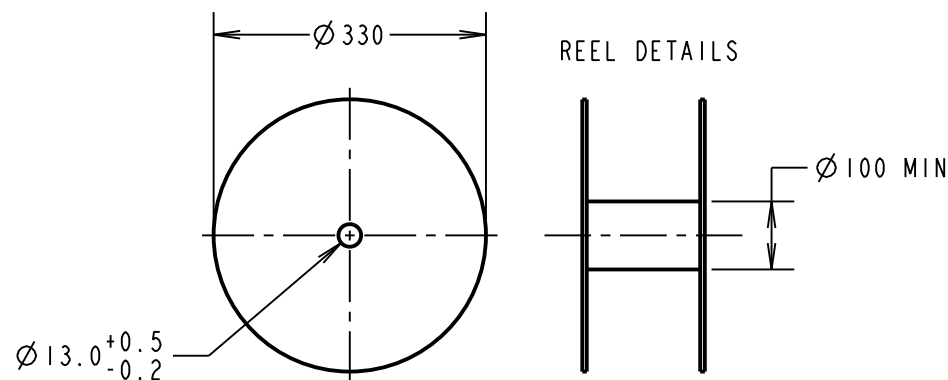
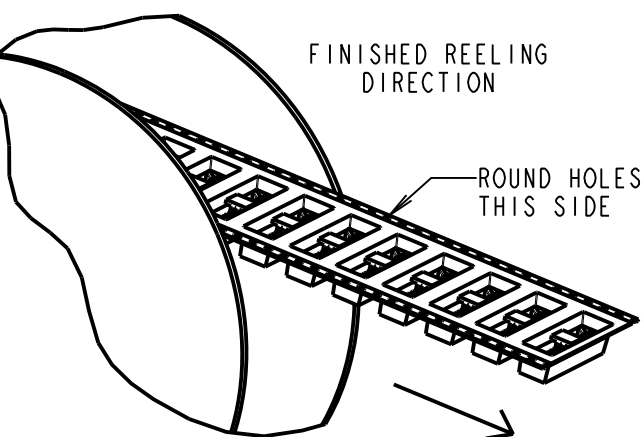
TAPE DETAILS FOR
02, 03, 04, 05, 06, 08 & 10 WAYS ONLY

TAPE DETAILS FOR 20 WAY ONLY



- NOTES:
1. FOR CONNECTOR DETAILS AND SPECIFICATIONS, SEE SHEET 3.
2. PRODUCT IS TAPE AND REELED IN GENERAL ACCORDANCE WITH EIA-481 (ELECTRAL INDUSTRIES ASSOCIATION).

ORDER CODE: **M50-363XX42X**
No. OF CONTACTS: 02 TO 06, 08, 10, 20
PACKING:
BLANK = TUBE
R = TAPE AND REEL (SHEET 1)



PART No.	DIMENSION			REEL QUANTITY
	DIM 'A'	DIM 'B'	DIM 'C'	
M50-3630242R	16.00±0.30	7.50	3.54	800
M50-3630342R			4.81	
M50-3630442R			6.08	
M50-3630542R			7.35	
M50-3630642R	24.00±0.30	11.50	8.62	
M50-3630842R			11.16	
M50-3631042R			13.70	
M50-3632042R	44.00±0.30	20.20±0.15	26.40	

MGP	2	14.01.19	21740
NAME	ISS.	DATE	C/NOTE
APPROVED: MGP			
CHECKED: SB			
DRAWN: S.BENNETT			
CUSTOMER REF.:			
ASSEMBLY DRG:			

HARWIN

www.harwin.com
technical@harwin.com

THIS DRAWING AND ANY INFORMATION OR DESCRIPTIVE MATTER SET OUT HEREON ARE CONFIDENTIAL AND COPYRIGHT PROPERTY OF THE HARWIN GROUP AND MUST NOT BE DISCLOSED, LOANED, COPIED OR USED FOR MANUFACTURING, TENDERING OR FOR ANY OTHER PURPOSE WITHOUT THEIR WRITTEN PERMISSION.

TOLERANCES
X. = ±1mm
X.X = ±0.50mm
X.XX = ±0.10mm
X.XXX = ±0.01mm
ANGLES = ±5°
UNLESS STATED

MATERIAL: SEE ABOVE
FINISH: SEE ABOVE
S/AREA: mm²

TITLE:
1.27mm PITCH, SIL VERTICAL SMT HEADER

DRAWING NUMBER: **M50-363XX42X**

SHT 4 OF 4

X-ON Electronics

Largest Supplier of Electrical and Electronic Components

Click to view similar products for [Headers & Wire Housings](#) category:

Click to view products by [Harwin](#) manufacturer:

Other Similar products are found below :

[892-18-020-10-001101](#) [58102-G61-06LF](#) [582553-1](#) [0009485154](#) [009176003701906](#) [0050291907](#) [LY20-4P-DT1-P1E-BR](#) [02.125.8002.8](#)
[609-3404](#) [61062-3](#) [622-0430](#) [622-3653LF](#) [63453-116](#) [636-1030](#) [636-1427](#) [636-3427](#) [636-4007](#) [641938-9](#) [641991-4](#) [644827-2](#) [65817-010LF](#)
[65817-015LF](#) [65863-015LF](#) [66207-023LF](#) [67095-007LF](#) [67601157](#) [68648-049](#) [70.362.1628.0](#) [70-4210](#) [70-4226B](#) [70-4853B](#) [707-5020](#) [707-](#)
[5028](#) [71.350.2428.0](#) [71918-208LF](#) [71961-016LF](#) [733-134](#) [733-162](#) [754199-000](#) [760-3052](#) [787-8014-00](#) [79531-3000](#) [FCN-360C032-B](#) [FCN-](#)
[367T-T012/H](#) [FCN-723D010/2](#) [80.063.4001.1](#) [800-90-001-10-001000](#) [800-90-010-10-002000](#) [801-43-002-10-013000](#) [801-43-006-10-002000](#)