

Customer Information Sheet

DRAWING No.: M50-365XX42R

SHEET 3 OF 4

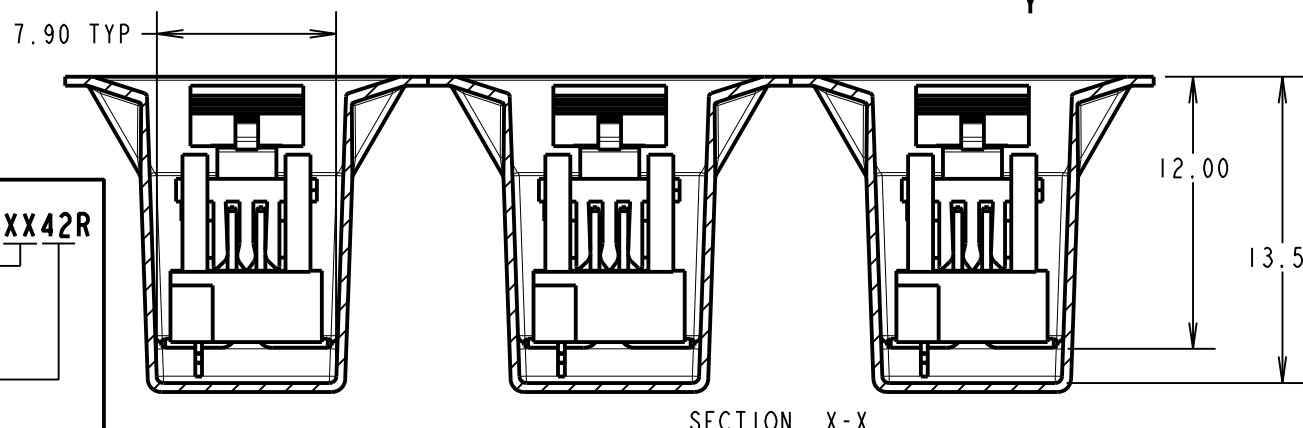
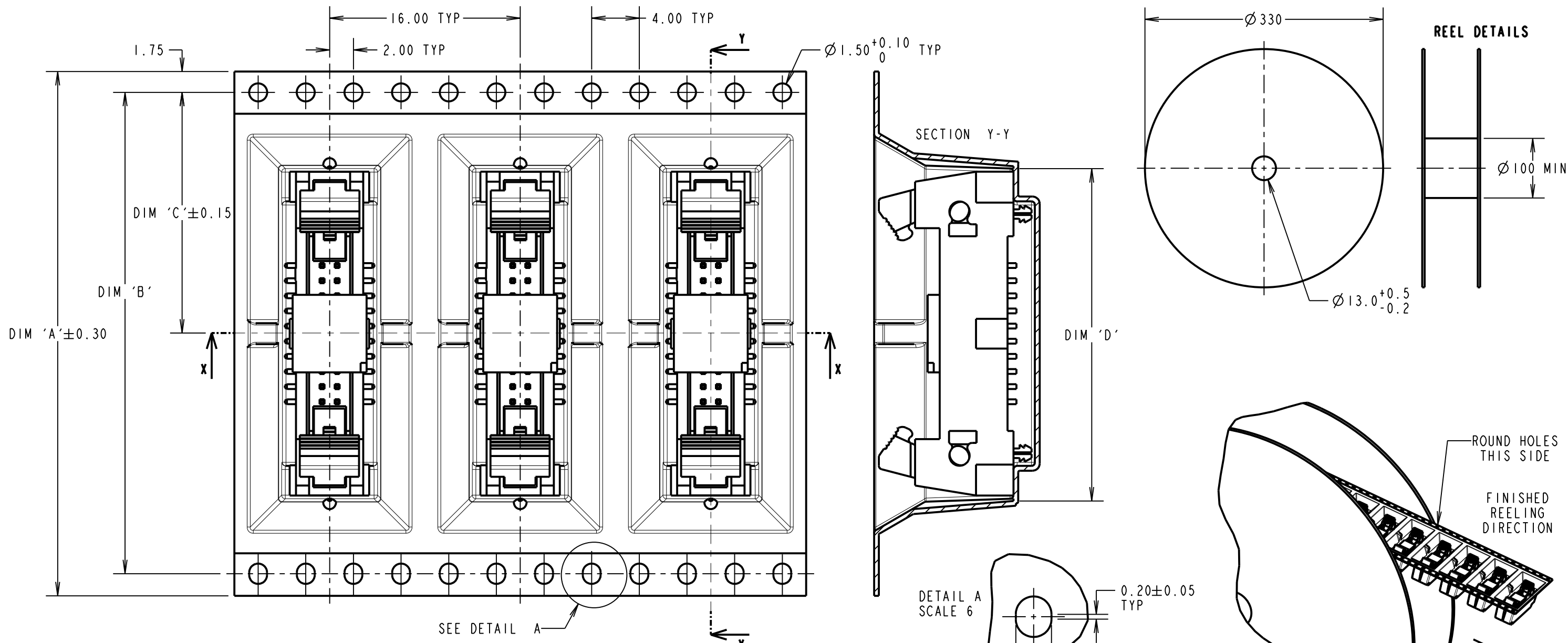
IF IN DOUBT - ASK

©

NOT TO SCALE

THIRD ANGLE PROJECTION

ALL DIMENSIONS IN mm



ORDER CODE: M50-365XX42R
 No. OF CONTACTS PER ROW: 05, 06, 07, 08, 10, 13, 17, 20, 25
 FINISH: SELECTIVE GOLD, TIN

PART No.	DIM 'A'	DIM 'B'	DIM 'C'	DIM 'D'
M50-3650542R	44.00	40.40	20.20	21.20
M50-3650642R	44.00	40.40	20.20	22.50
M50-3650742R	44.00	40.40	20.20	23.80
M50-3650842R	44.00	40.40	20.20	25.10
M50-3651042R	44.00	40.40	20.20	27.60
M50-3651342R	56.00	52.40	26.20	31.40
M50-3651742R	56.00	52.40	26.20	36.50
M50-3652042R	56.00	52.40	26.20	40.30
M50-3652542R	72.00	68.40	34.20	46.60

MGP	10	01.07.21	30628
NAME	ISS.	DATE	CN/CO
APPROVED: MGP			
CHECKED: MR			
DRAWN: R. ADDE			
CUSTOMER REF.:			
ASSEMBLY DRG:			

- NOTES:
- FOR CONNECTOR DETAILS AND SPECIFICATIONS, SEE SHEET 4.
 - PRODUCT IS TAPE AND REELED IN GENERAL ACCORDANCE WITH EIA-481 (ELECTRONIC INDUSTRIES ASSOCIATION).
 - QUANTITY PER REEL = 250.
 - ALL COMPONENTS ARE RoHS AND REACH COMPLIANT.

HARWIN
 www.harwin.com
 technical@harwin.com

THIS DRAWING AND ANY INFORMATION OR DESCRIPTIVE MATTER SET OUT HEREON ARE CONFIDENTIAL AND COPYRIGHT PROPERTY OF THE HARWIN GROUP AND MUST NOT BE DISCLOSED, LOANED, COPIED OR USED FOR MANUFACTURING, TENDERING OR FOR ANY OTHER PURPOSE WITHOUT THEIR WRITTEN PERMISSION.

TOLERANCES
 X. = ±1mm
 X.X = ±0.50mm
 X.XX = ±0.20mm
 X.XXX = ±0.01mm
 ANGLES = ±5°
 UNLESS STATED

MATERIAL: SEE SHEET 4
 FINISH: SEE ABOVE
 S/AREA: mm²

TITLE: 1.27mm DIL SMT EJECTOR HEADER WITH CAP & PEGS TAPE & REELED
 DRAWING NUMBER: M50-365XX42R
 SHT 3 OF 4

Customer Information Sheet

DRAWING No.: M50-365XX42R

SHEET 4 OF 4

IF IN DOUBT - ASK

©

NOT TO SCALE

THIRD ANGLE PROJECTION

ALL DIMENSIONS IN mm

SPECIFICATIONS:

MATERIALS:

MOULD = LCP, 30% G/F, UL94V-0
CONTACT = BRASS
FORK = PHOSPHOR BRONZE

FINISH:

42 = 0.015-0.02µm GOLD ON CONTACTS,
2.54µm 100% TIN ON TAILS OVER,
0.76-2.03µm NICKEL.
2.03-5.08µm 100% TIN ON FORKS OVER,
0.76-2.03µm NICKEL.

MECHANICAL:

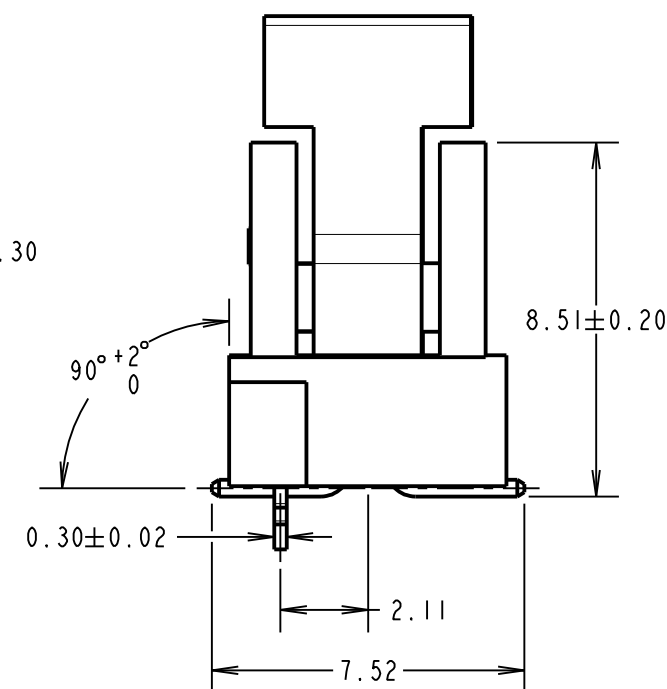
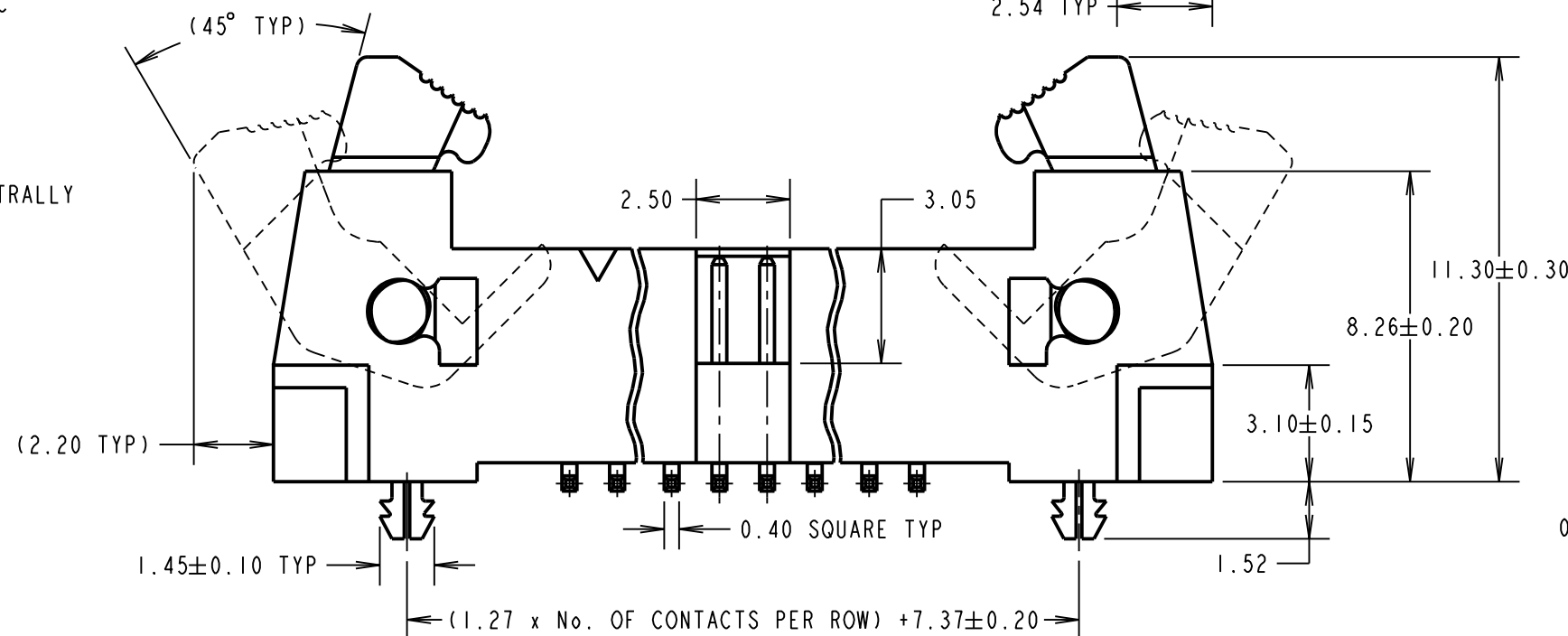
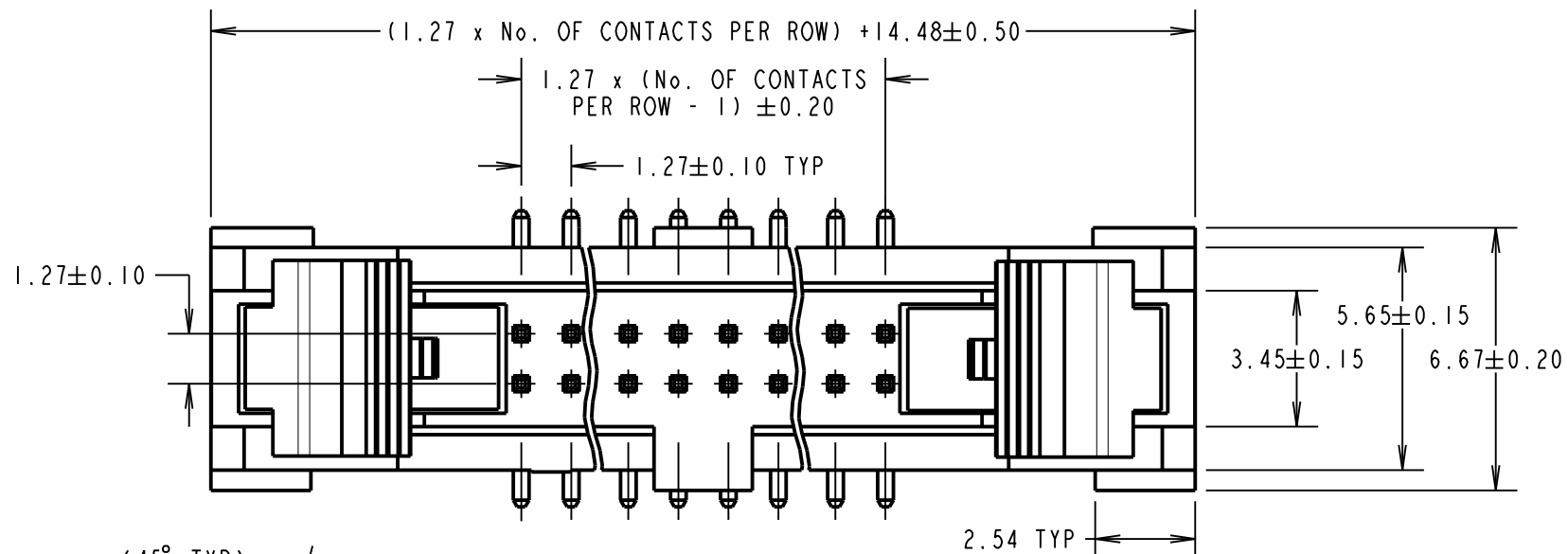
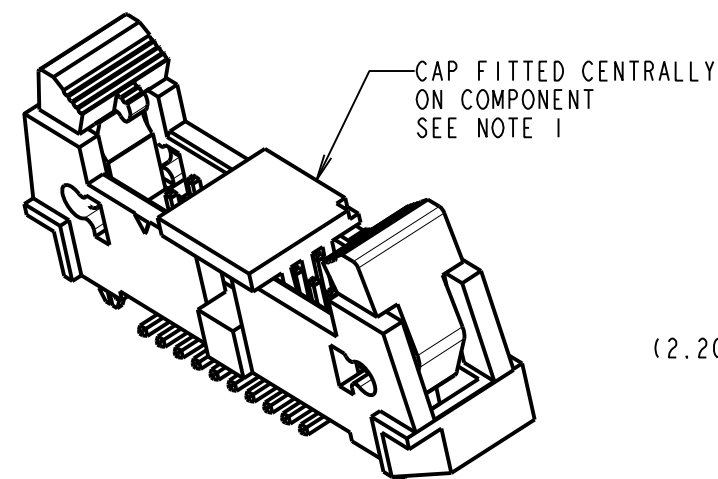
DURABILITY = 300 CYCLES MIN

ELECTRICAL:

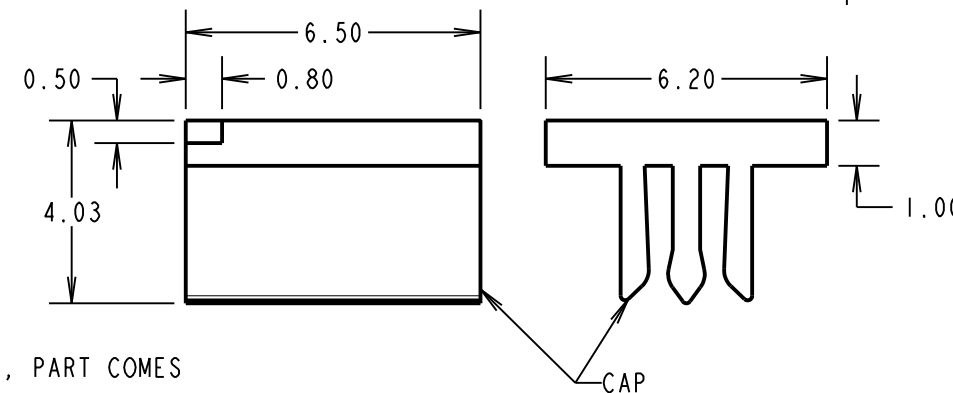
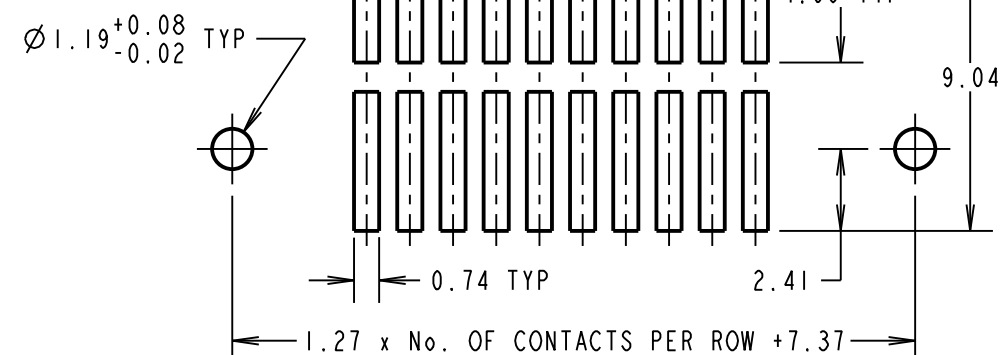
RATED CURRENT = 1.75A
CONTACT RESISTANCE = 20mΩ MAX
WITHSTAND VOLTAGE = 500V ACrms/DC FOR 1 MIN
INSULATION RESISTANCE = 5000MΩ MIN

ENVIRONMENTAL:

OPERATING TEMPERATURE = -55°C TO +125°C
FOR COMPLETE SPECIFICATION, SEE COMPONENT SPECIFICATION C029XX (LATEST ISSUE)



RECOMMENDED PCB LAYOUT
(TOLERANCE ± 0.05)



NOTES:

- CAP REMOVED FROM MAIN VIEWS FOR CLARITY, PART COMES WITH CENTRALLY FITTED CAP.
- ALL TOLERANCES ARE ± 0.25 UNLESS OTHERWISE STATED.
- ALL COMPONENTS ARE RoHS AND REACH COMPLIANT.

ORDER CODE: M50-365XX42R
 No. OF CONTACTS PER ROW:
 05, 06, 07, 08, 10,
 13, 17, 20, 25
 FINISH:
 SELECTIVE GOLD, TIN

MGP	10	01.07.21	30628
NAME	ISS.	DATE	CN/CO
APPROVED:		MGP	
CHECKED:		MR	
DRAWN:		R.ADDE	
CUSTOMER REF.:			
ASSEMBLY DRG:			

HARWIN
 www.harwin.com
 technical@harwin.com

THIS DRAWING AND ANY INFORMATION OR DESCRIPTIVE MATTER SET OUT HEREON ARE CONFIDENTIAL AND COPYRIGHT PROPERTY OF THE HARWIN GROUP AND MUST NOT BE DISCLOSED, LOANED, COPIED OR USED FOR MANUFACTURING, TENDERING OR FOR ANY OTHER PURPOSE WITHOUT THEIR WRITTEN PERMISSION.

TOLERANCES
~~X = ± 1 mm~~
~~X.X = ± 0.50 mm~~
~~X.XX = ± 0.20 mm~~
~~X.XXX = ± 0.01 mm~~
 ANGLES = $\pm 5^\circ$
 UNLESS STATED

MATERIAL:
 SEE ABOVE
FINISH:
 SEE ABOVE
S/AREA:
 mm²

TITLE: 1.27mm DIL SMT EJECTOR HEADER WITH CAP & PEGS TAPE & REELED
DRAWING NUMBER:
M50-365XX42R
 SHT 4 OF 4

X-ON Electronics

Largest Supplier of Electrical and Electronic Components

Click to view similar products for [Headers & Wire Housings](#) category:

Click to view products by [Harwin](#) manufacturer:

Other Similar products are found below :

[892-18-020-10-001101](#) [58102-G61-06LF](#) [582553-1](#) [0009485154](#) [009176003701906](#) [0050291907](#) [LY20-4P-DT1-P1E-BR](#) [02.125.8002.8](#)
[609-3404](#) [61062-3](#) [622-0430](#) [622-3653LF](#) [63453-116](#) [636-1030](#) [636-1427](#) [636-3427](#) [636-4007](#) [641938-9](#) [641991-4](#) [644827-2](#) [65817-010LF](#)
[65817-015LF](#) [65863-015LF](#) [66207-023LF](#) [67095-007LF](#) [67601157](#) [68648-049](#) [70.362.1628.0](#) [70-4210](#) [70-4226B](#) [70-4853B](#) [707-5020](#) [707-](#)
[5028](#) [71.350.2428.0](#) [71918-208LF](#) [71961-016LF](#) [733-134](#) [733-162](#) [754199-000](#) [760-3052](#) [787-8014-00](#) [79531-3000](#) [FCN-360C032-B](#) [FCN-](#)
[367T-T012/H](#) [FCN-723D010/2](#) [80.063.4001.1](#) [800-90-001-10-001000](#) [800-90-010-10-002000](#) [801-43-002-10-013000](#) [801-43-006-10-002000](#)