

Customer Information Sheet

DRAWING No.: M50-490XX45R

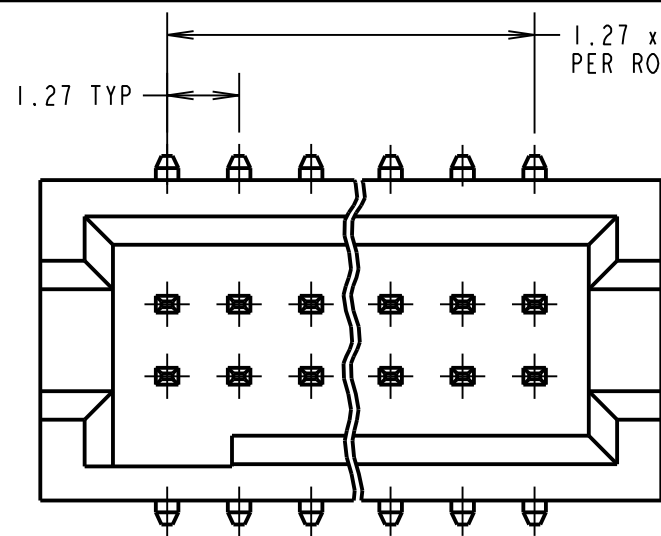
IF IN DOUBT - ASK

©

NOT TO SCALE

THIRD ANGLE PROJECTION

ALL DIMENSIONS IN mm



ORDER CODE:

M50-490XX45R

No. OF CONTACTS PER ROW:
05, 07, 08, 10

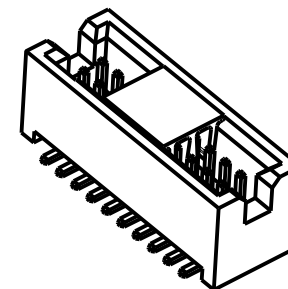
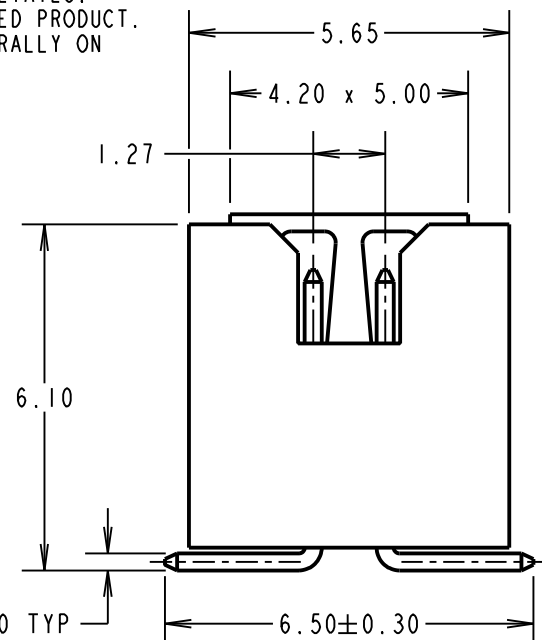
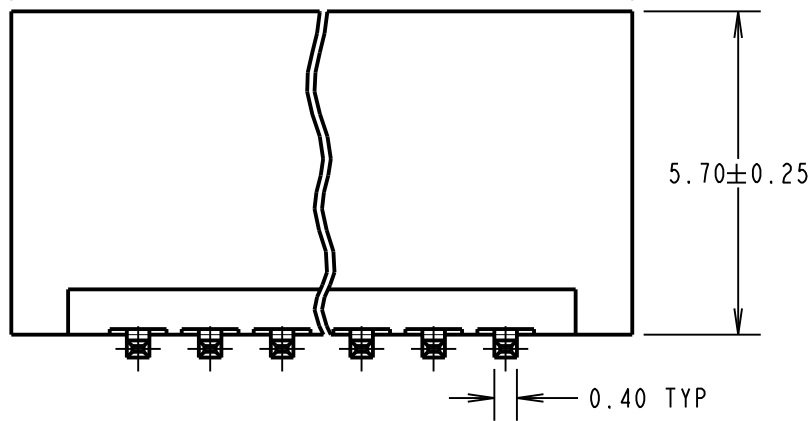
FINISH:
GOLD ALL OVER CONTACT

SPECIFICATIONS:

MATERIAL:
MOULDING = LCP UL94V-0, BLACK
CONTACT = COPPER ALLOY
FINISH:
CONTACT = GOLD
ELECTRICAL:
CURRENT RATING = 1A
VOLTAGE PROOF = 300V AC/DC
CONTACT RESISTANCE = 20mΩ MAX
INSULATION RESISTANCE = 1,000MΩ MIN
MECHANICAL:
DURABILITY = 100 CYCLES MIN
ENVIRONMENTAL:
OPERATING TEMPERATURE = -40°C TO +105°C
PACKING:
TUBE
FOR COMPLETE SPECIFICATION, SEE COMPONENT SPECIFICATION C029XX (LATEST ISSUE)

- NOTES:**
1. TOLERANCES ARE ±0.15 UNLESS OTHERWISE STATED.
 2. SEE SHEET 4 FOR TAPE AND REEL DETAILS.
 3. SEE DRAWING M50-490XX45 FOR TUBED PRODUCT.
 4. PICK AND PLACE CAP LOCATED CENTRALLY ON THE PART.

(1.27 x No. OF CONTACTS PER ROW) + 3.20 ±0.25



SB	5	01.06.17	20635
NAME	ISS.	DATE	C/NOTE
APPROVED:		S. BENNETT	
CHECKED:		M. PLESTED	
DRAWN:		S. FLOWER	
CUSTOMER REF.:			
ASSEMBLY DRG:			

HARWIN

www.harwin.com
technical@harwin.com

THIS DRAWING AND ANY INFORMATION OR DESCRIPTIVE MATTER SET OUT HEREON ARE CONFIDENTIAL AND COPYRIGHT PROPERTY OF THE HARWIN GROUP AND MUST NOT BE DISCLOSED, LOANED, COPIED OR USED FOR MANUFACTURING, TENDERING OR FOR ANY OTHER PURPOSE WITHOUT THEIR WRITTEN PERMISSION.

TOLERANCES
X = ±1mm
X.X = ±0.50mm
X.XX = ±0.10mm
X.XXX = ±0.01mm
ANGLES = ±5°
UNLESS STATED

MATERIAL: SEE ABOVE
FINISH: SEE ABOVE
S/AREA: mm²

TITLE: 1.27mm PITCH DIL SMT PIN HEADER ASSY (TAPE AND REEL)

DRAWING NUMBER: **M50-490XX45R**

SHT 3 OF 4

Customer Information Sheet

DRAWING No.: M50-490XX45R

IF IN DOUBT - ASK

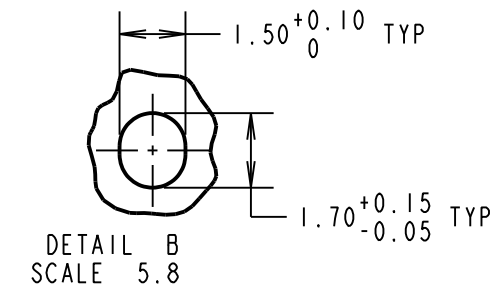
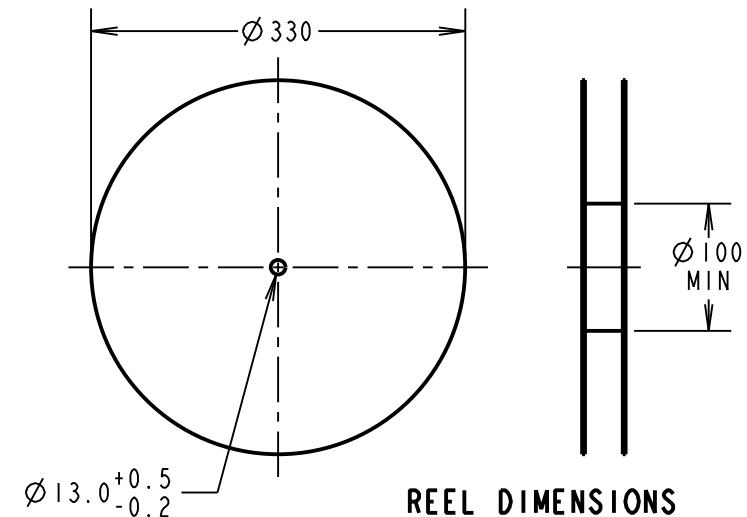
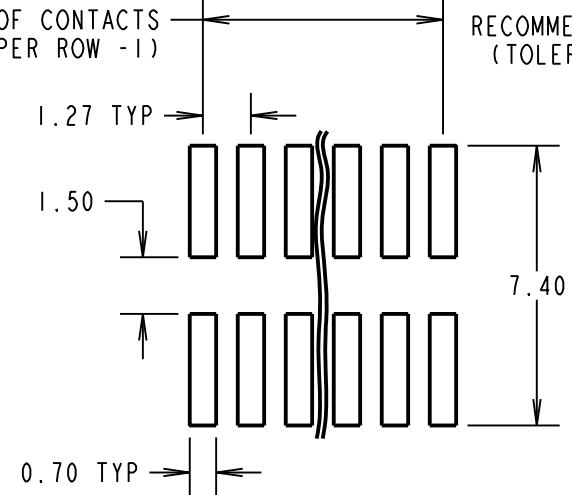
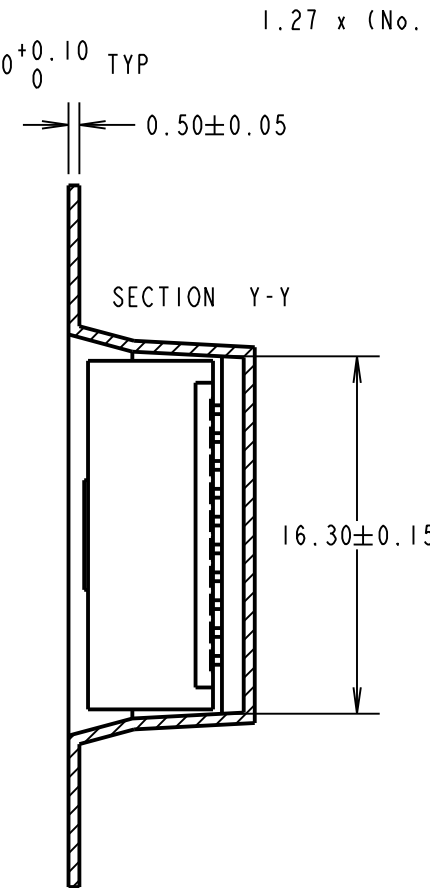
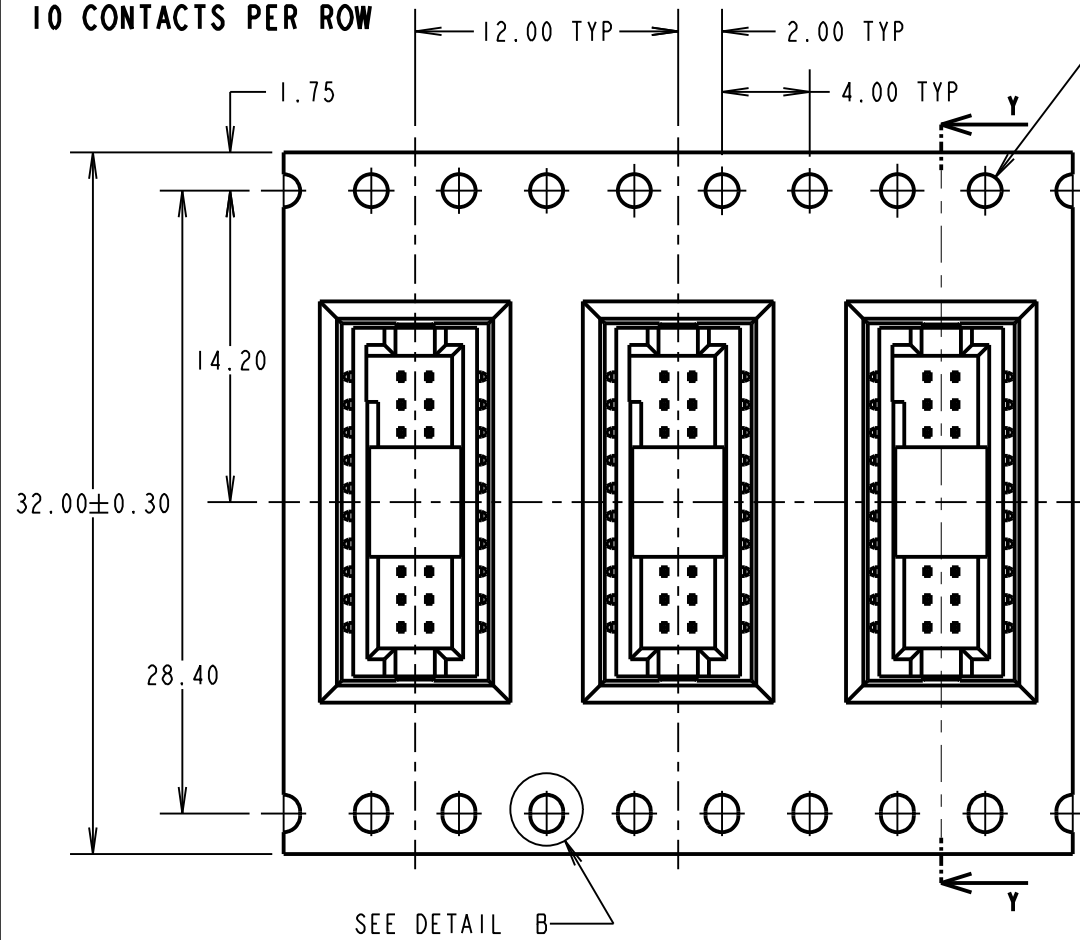
©

NOT TO SCALE

THIRD ANGLE PROJECTION

ALL DIMENSIONS IN mm

TAPE DETAILS FOR 10 CONTACTS PER ROW



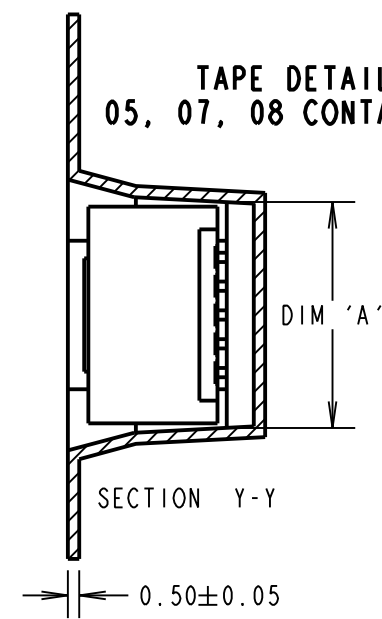
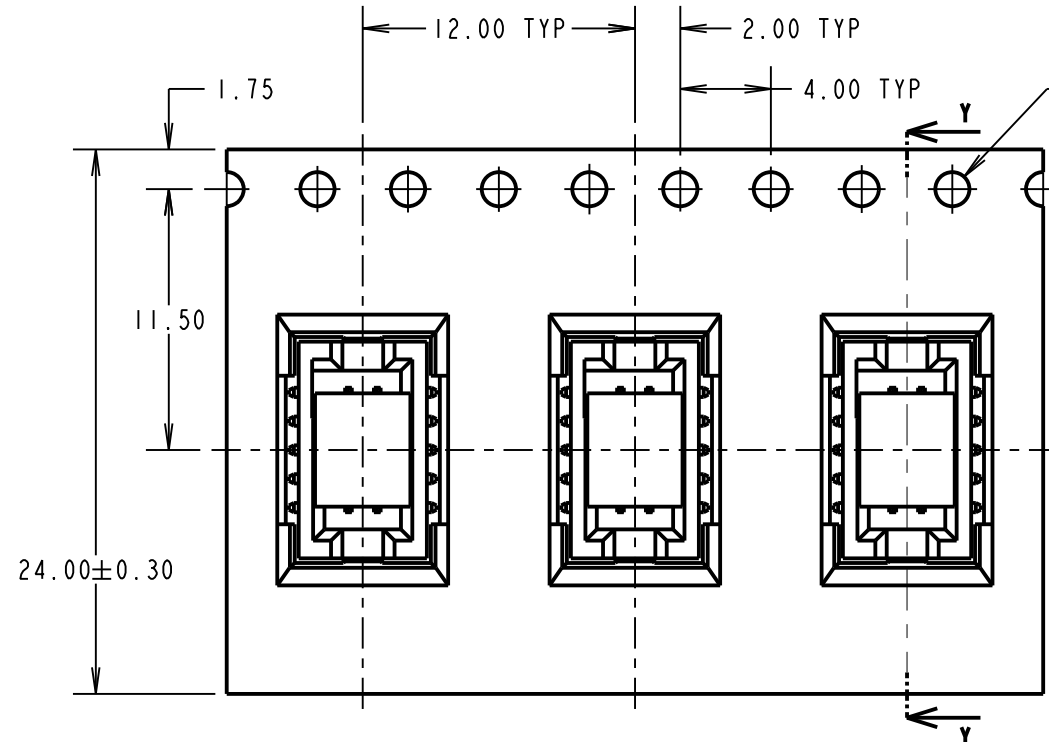
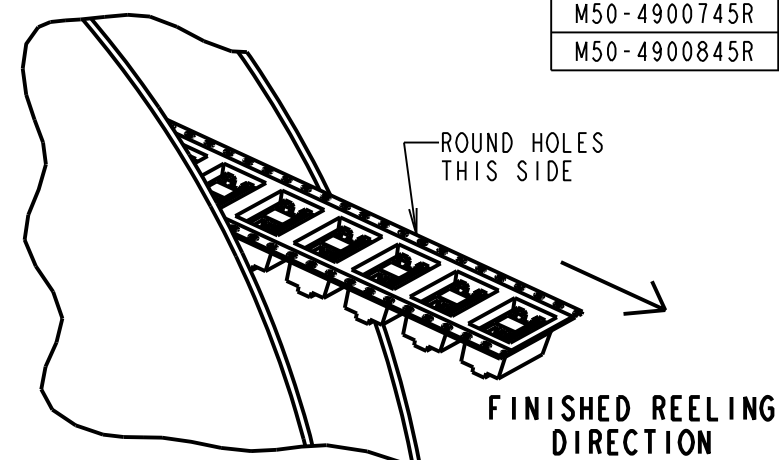
ORDER CODE:
M50-490XX45R

No. OF CONTACTS PER ROW:
05, 07, 08, 10

FINISH:
GOLD ALL OVER CONTACT

- NOTES:
1. THIS PRODUCT IS TAPE AND REELED IN ACCORDANCE WITH EIA-481 ELECTRONICS INDUSTRIES ASSOCIATION.
 3. SPROCKET HOLE PITCH CUMULATIVE TOLERANCE = ±0.2mm.
 4. REEL QUANTITIES:
05 CONTACTS PER ROW = 600,
07 CONTACTS PER ROW = 600,
08 CONTACTS PER ROW = 700,
10 CONTACTS PER ROW = 700.
 5. SEE SHEET 3 FOR CONNECTOR DETAILS.

PART No.	DIM 'A'
M50-4900545R	9.95
M50-4900745R	12.49
M50-4900845R	13.76



TAPE DETAILS FOR 05, 07, 08 CONTACTS PER ROW

SB	5	01.06.17	20635
NAME	ISS.	DATE	C/NOTE
APPROVED:		S. BENNETT	
CHECKED:		M. PLESTED	
DRAWN:		S. FLOWER	
CUSTOMER REF.:			
ASSEMBLY DRG:			

HARWIN

www.harwin.com
technical@harwin.com

THIS DRAWING AND ANY INFORMATION OR DESCRIPTIVE MATTER SET OUT HEREON ARE CONFIDENTIAL AND COPYRIGHT PROPERTY OF THE HARWIN GROUP AND MUST NOT BE DISCLOSED, LOANED, COPIED OR USED FOR MANUFACTURING, TENDERING OR FOR ANY OTHER PURPOSE WITHOUT THEIR WRITTEN PERMISSION.

TOLERANCES
X. = ±1mm
X.X = ±0.25mm
X.XX = ±0.10mm
X.XXX = ±0.01mm
ANGLES = ±5°
UNLESS STATED

MATERIAL:
SEE ABOVE

FINISH: SEE ABOVE

S/AREA: mm²

TITLE: 1.27mm PITCH DIL SMT PIN HEADER ASSEMBLY (TAPE & REEL)

DRAWING NUMBER:
M50-490XX45R

SHT 4 OF 4

X-ON Electronics

Largest Supplier of Electrical and Electronic Components

Click to view similar products for [Headers & Wire Housings](#) category:

Click to view products by [Harwin](#) manufacturer:

Other Similar products are found below :

[892-18-020-10-001101](#) [58102-G61-06LF](#) [582553-1](#) [0009485154](#) [009176003701906](#) [0050291907](#) [LY20-4P-DT1-P1E-BR](#) [02.125.8002.8](#)
[609-3404](#) [61062-3](#) [622-0430](#) [622-3653LF](#) [63453-116](#) [636-1030](#) [636-1427](#) [636-3427](#) [636-4007](#) [641938-9](#) [641991-4](#) [644827-2](#) [65817-010LF](#)
[65817-015LF](#) [65863-015LF](#) [66207-023LF](#) [67095-007LF](#) [67601157](#) [68648-049](#) [70.362.1628.0](#) [70-4210](#) [70-4226B](#) [70-4853B](#) [707-5020](#) [707-](#)
[5028](#) [71.350.2428.0](#) [71918-208LF](#) [71961-016LF](#) [733-134](#) [733-162](#) [754199-000](#) [760-3052](#) [787-8014-00](#) [79531-3000](#) [FCN-360C032-B](#) [FCN-](#)
[367T-T012/H](#) [FCN-723D010/2](#) [80.063.4001.1](#) [800-90-001-10-001000](#) [800-90-010-10-002000](#) [801-43-002-10-013000](#) [801-43-006-10-002000](#)