

RECOMMENDED PAD LAYOUT
(TOLERANCE ±0.05)

SPECIFICATIONS:

MATERIAL:

MOULDING = NYLON 6T, UL94V-0, BLACK
CONTACT = BRASS

FINISH:

CONTACT = GOLD FLASH OVER NICKEL

ELECTRICAL:

CURRENT RATING = 1A
CONTACT RESISTANCE = 20mΩ MAX
INSULATION RESISTANCE = 1000MΩ MIN
DIELECTRIC STRENGTH = 1000V ACrms FOR ONE MINUTE

MECHANICAL:

DURABILITY = 300 CYCLES MIN

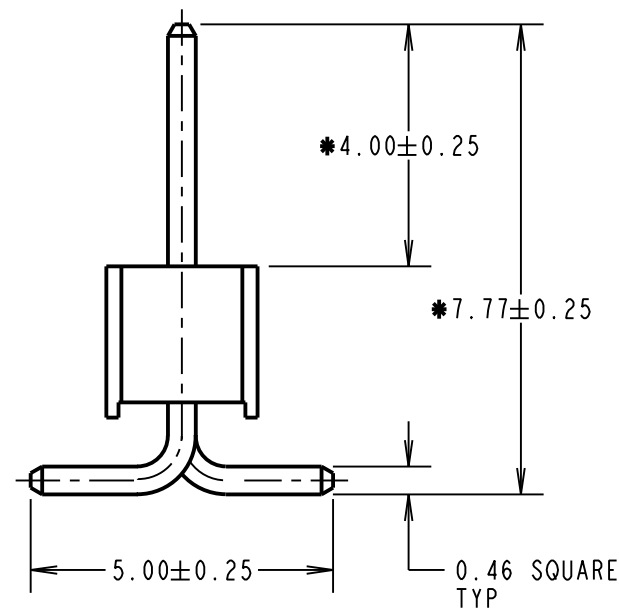
ENVIRONMENTAL:

TEMPERATURE RANGE = -40°C TO +105°C

PACKING:

BAG

FOR COMPLETE SPECIFICATION SEE COMPONENT SPECIFICATION C029XX (LATEST ISSUE).



NOTES:

1. ALL DIMENSIONS AND NOTES MARKED * ARE CRITICAL AND MUST BE CHECKED IN ACCORDANCE WITH QUALITY INSTRUCTION Q1-02.
2. MAXIMUM PERMISSIBLE OUT OF SQUARE OF PIN TO MOULDING TO BE 0.15mm IN ANY DIRECTION.
3. CONTACT LEG VARIATION ON COMPLETE ASSEMBLY NOT TO EXCEED 0.20mm.
- *4. ALL TOLERANCES ARE ±0.15 UNLESS OTHERWISE STATED.
5. ALL PRODUCT TO HAVE 'LEAD FREE' LABELLING ON ALL PACKAGING.

ORDER CODE:
M52-040000PXX45

TOTAL No. OF CONTACTS: _____
05, 10, 20, 25

FINISH: _____
GOLD FLASH OVER NICKEL

HARWIN

HARWIN Europe (UK)
www.harwin.com
mis@harwin.co.uk

TOLERANCES
X. = ±1mm
X.X = ±0.25mm
X.XX = ±0.10mm
X.XXX = ±0.01mm
ANGLES = ±5°
UNLESS STATED

THIS DRAWING AND ANY INFORMATION OR DESCRIPTIVE MATTER SET OUT HEREON ARE CONFIDENTIAL AND COPYRIGHT PROPERTY OF THE HARWIN GROUP AND MUST NOT BE DISCLOSED, LOANED, COPIED OR USED FOR MANUFACTURING, TENDERING OR FOR ANY OTHER PURPOSE WITHOUT THEIR WRITTEN PERMISSION.

MATERIAL: SEE ABOVE

FINISH: SEE ABOVE

S/AREA: mm²

TITLE: 1.27mm PITCH SIL SURFACE MOUNT PIN HEADER

DRAWING NUMBER: **M52-040000PXX45**

SHT 1 of 1

SB	2	09.01.13	11906
JMB	1	17.11.05	----
NAME	ISS.	DATE	C/NOTE
APPROVED:		S.BENNETT	
CHECKED:		S.FLOWER	
DRAWN:		S.BENNETT	
CUSTOMER REF.:			
ASSEMBLY DRG:			

X-ON Electronics

Largest Supplier of Electrical and Electronic Components

Click to view similar products for [Headers & Wire Housings](#) category:

Click to view products by [Harwin](#) manufacturer:

Other Similar products are found below :

[892-18-020-10-001101](#) [58102-G61-06LF](#) [582553-1](#) [0009485154](#) [009176003701906](#) [0050291907](#) [LY20-4P-DT1-P1E-BR](#) [02.125.8002.8](#)
[609-3404](#) [61062-3](#) [622-0430](#) [622-3653LF](#) [63453-116](#) [636-1030](#) [636-1427](#) [636-3427](#) [636-4007](#) [641938-9](#) [641991-4](#) [644827-2](#) [65817-010LF](#)
[65817-015LF](#) [65863-015LF](#) [66207-023LF](#) [67095-007LF](#) [67601157](#) [68648-049](#) [70.362.1628.0](#) [70-4210](#) [70-4226B](#) [70-4853B](#) [707-5020](#) [707-5028](#) [71.350.2428.0](#) [71918-208LF](#) [71961-016LF](#) [733-134](#) [733-162](#) [754199-000](#) [760-3052](#) [787-8014-00](#) [79531-3000](#) [FCN-360C032-B](#) [FCN-367T-T012/H](#) [FCN-723D010/2](#) [80.063.4001.1](#) [800-90-001-10-001000](#) [800-90-010-10-002000](#) [801-43-002-10-013000](#) [801-43-006-10-002000](#)