

Customer Information Sheet

DRAWING No.: M52-505XX45

SHEET 2 OF 2

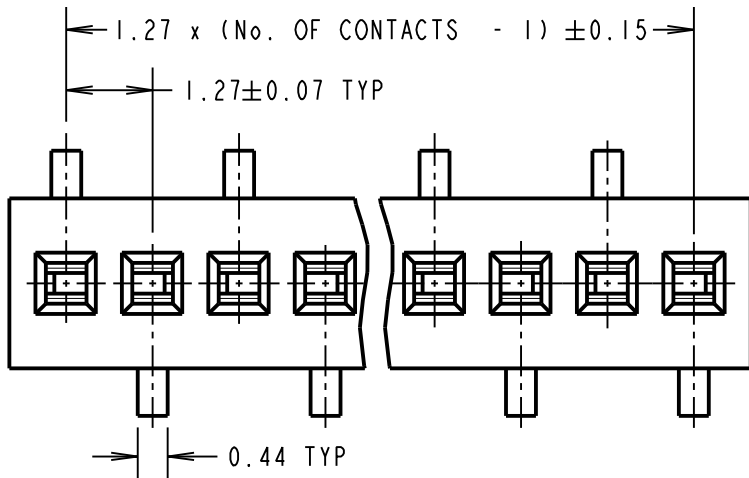
IF IN DOUBT - ASK

(C)

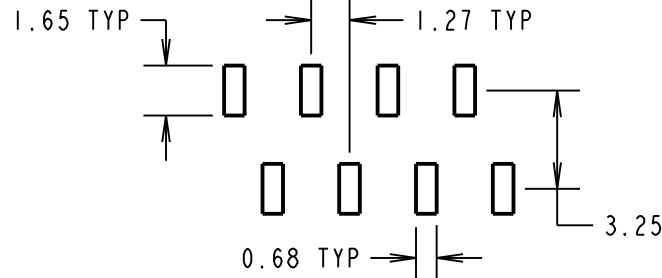
NOT TO SCALE

THIRD ANGLE PROJECTION

ALL DIMENSIONS IN mm



RECOMMENDED PCB LAYOUT (PCB TOLERANCE ± 0.05)

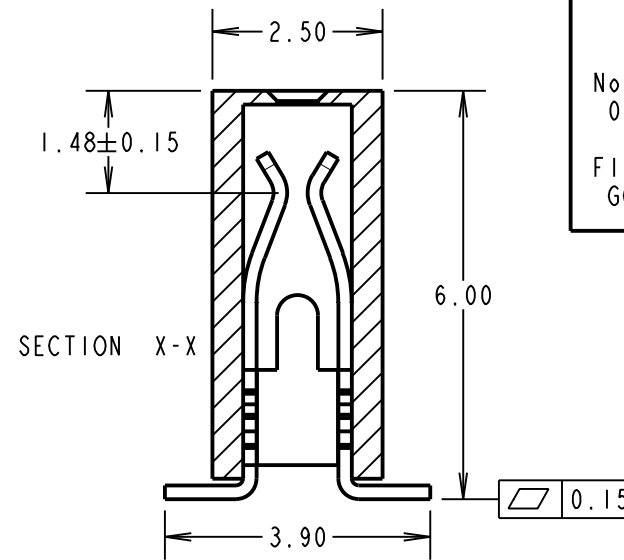
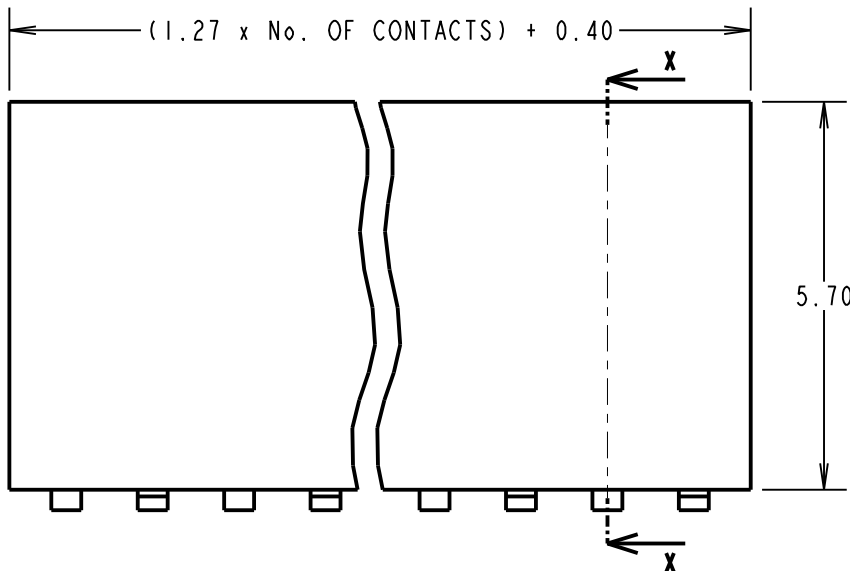


NOTES:

1. ALL TOLERANCES ARE ± 0.25 UNLESS OTHERWISE STATED.

SPECIFICATIONS:

MATERIAL:
 MOULDING = NYLON 6T UL94V-0, BLACK
 CONTACT = PHOSPHOR BRONZE
 FINISH:
 CONTACT = GOLD OVER NICKEL
 ELECTRICAL:
 CURRENT RATING = 1A
 DIELECTRIC WITHSTAND VOLTAGE = 1000V ACrms FOR ONE MINUTE
 CONTACT RESISTANCE = $20m\Omega$ MAX
 INSULATION RESISTANCE = $1000M\Omega$ MIN
 MECHANICAL:
 INSERTION FORCE = 1.5N MAX PER PIN
 WITHDRAWAL FORCE = 0.10N MIN PER PIN
 DURABILITY = 300 CYCLES
 ENVIRONMENTAL:
 OPERATING TEMPERATURE = $-40^{\circ}C$ TO $+105^{\circ}C$
 PACKING:
 TUBE



ORDER CODE:

M52-505XX45

No. OF CONTACTS PER ROW:
 03 TO 50

FINISH:
 GOLD

| | | | |
|---------------------|------|----------|--------|
| SB | 8 | 17.12.13 | 11905 |
| NAME | ISS. | DATE | C/NOTE |
| APPROVED: S.BENNETT | | | |
| CHECKED: S.FLOWER | | | |
| DRAWN: J. ENRIGHT | | | |
| CUSTOMER REF.: | | | |
| ASSEMBLY DRG: | | | |

HARWIN

www.harwin.com
 technical@harwin.com

THIS DRAWING AND ANY INFORMATION OR DESCRIPTIVE MATTER SET OUT HEREON ARE CONFIDENTIAL AND COPYRIGHT PROPERTY OF THE HARWIN GROUP AND MUST NOT BE DISCLOSED, LOANED, COPIED OR USED FOR MANUFACTURING, TENDERING OR FOR ANY OTHER PURPOSE WITHOUT THEIR WRITTEN PERMISSION.

TOLERANCES
~~X = ± 1 mm~~
~~X.X = ± 0.25 mm~~
~~X.XX = ± 0.10 mm~~
~~X.XXX = ± 0.01 mm~~
 ANGLES = $\pm 5^{\circ}$
 UNLESS STATED

MATERIAL:
 SEE ABOVE
 FINISH: SEE ABOVE
 S/AREA: mm²

TITLE:
 1.27mm PITCH SIL
 VERTICAL SMT SOCKET ASSY
 DRAWING NUMBER:
M52-505XX45
 SHT 2 OF 2

X-ON Electronics

Largest Supplier of Electrical and Electronic Components

Click to view similar products for [Headers & Wire Housings](#) category:

Click to view products by [Harwin](#) manufacturer:

Other Similar products are found below :

[892-18-020-10-001101](#) [58102-G61-06LF](#) [582553-1](#) [0009485154](#) [009176003701906](#) [0050291907](#) [LY20-4P-DT1-P1E-BR](#) [02.125.8002.8](#)
[609-3404](#) [61062-3](#) [622-0430](#) [622-3653LF](#) [63453-116](#) [636-1030](#) [636-1427](#) [636-3427](#) [636-4007](#) [641938-9](#) [641991-4](#) [644827-2](#) [65817-010LF](#)
[65817-015LF](#) [65863-015LF](#) [66207-023LF](#) [67095-007LF](#) [67601157](#) [68648-049](#) [70.362.1628.0](#) [70-4210](#) [70-4226B](#) [70-4853B](#) [707-5020](#) [707-](#)
[5028](#) [71.350.2428.0](#) [71918-208LF](#) [71961-016LF](#) [733-134](#) [733-162](#) [754199-000](#) [760-3052](#) [787-8014-00](#) [79531-3000](#) [FCN-360C032-B](#) [FCN-](#)
[367T-T012/H](#) [FCN-723D010/2](#) [80.063.4001.1](#) [800-90-001-10-001000](#) [800-90-010-10-002000](#) [801-43-002-10-013000](#) [801-43-006-10-002000](#)