

# Customer Information Sheet

DRAWING No.: M52-515XX45

SHEET 2 OF 2

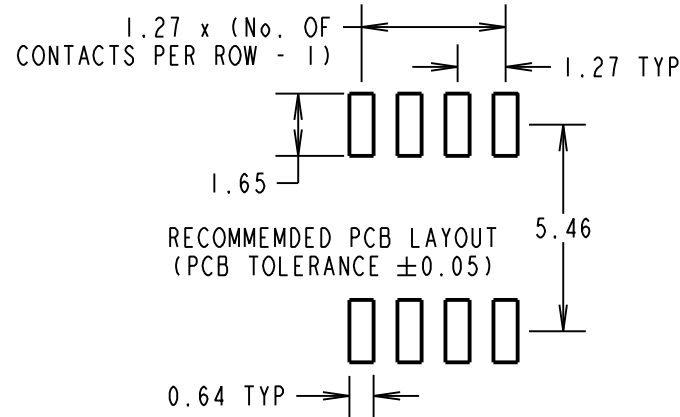
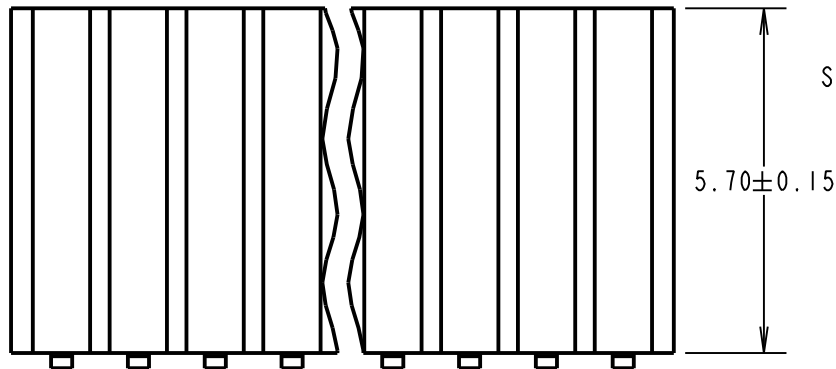
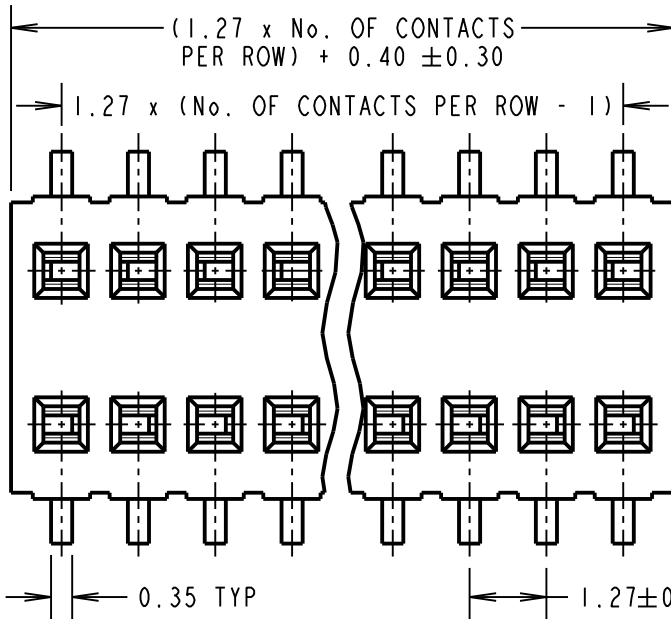
IF IN DOUBT - ASK

(C)

NOT TO SCALE

THIRD ANGLE PROJECTION

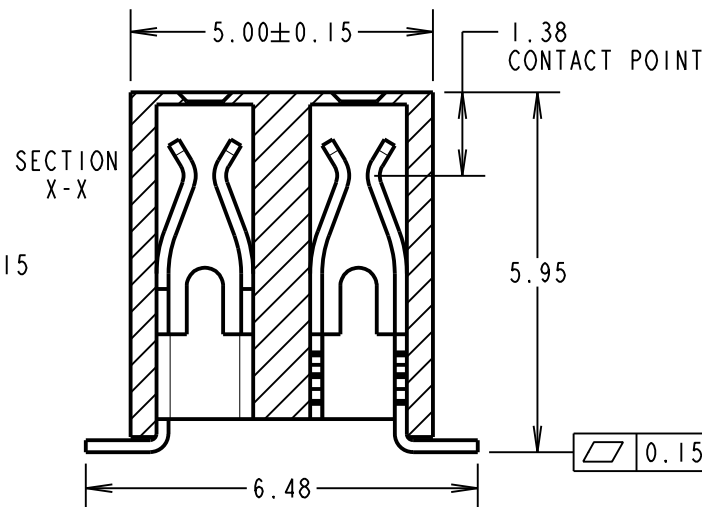
ALL DIMENSIONS IN mm



RECOMMENDED PCB LAYOUT  
(PCB TOLERANCE ±0.05)

NOTES:

- ALL TOLERANCES ARE ±0.25 UNLESS OTHERWISE STATED.



SPECIFICATIONS:

MATERIAL:  
 MOULDING = NYLON 6T UL94V-0, BLACK  
 CONTACT = PHOSPHOR BRONZE  
 FINISH:  
 CONTACT = GOLD OVER NICKEL  
 ELECTRICAL:  
 CURRENT RATING = 1A  
 DIELECTRIC WITHSTAND VOLTAGE = 1000V AC<sub>rms</sub> FOR ONE MINUTE  
 CONTACT RESISTANCE = 20mΩ MAX  
 INSULATION RESISTANCE = 1000MΩ MIN  
 MECHANICAL:  
 INSERTION FORCE = 1.5N MAX PER PIN  
 WITHDRAWAL FORCE = 0.10N MIN PER PIN  
 DURABILITY = 300 CYCLES  
 ENVIRONMENTAL:  
 OPERATING TEMPERATURE = -40°C TO +105°C  
 PACKING:  
 TUBE

ORDER CODE:

**M52-515XX45**

No. OF CONTACTS PER ROW: 03 TO 50

FINISH: GOLD

SB	9	17.12.13	11905
NAME	ISS.	DATE	C/NOTE
APPROVED:		S. BENNETT	
CHECKED:		S. FLOWER	
DRAWN:		J. ENRIGHT	
CUSTOMER REF.:			
ASSEMBLY DRG:			

**HARWIN**

www.harwin.com  
technical@harwin.com

THIS DRAWING AND ANY INFORMATION OR DESCRIPTIVE MATTER SET OUT HEREON ARE CONFIDENTIAL AND COPYRIGHT PROPERTY OF THE HARWIN GROUP AND MUST NOT BE DISCLOSED, LOANED, COPIED OR USED FOR MANUFACTURING, TENDERING OR FOR ANY OTHER PURPOSE WITHOUT THEIR WRITTEN PERMISSION.

TOLERANCES

~~X = ±1mm~~  
~~X.X = ±0.25mm~~  
~~X.XX = ±0.10mm~~  
~~X.XXX = ±0.01mm~~  
 ANGLES = ±5°  
 UNLESS STATED

MATERIAL:

SEE ABOVE

FINISH: SEE ABOVE

S/AREA: mm<sup>2</sup>

TITLE:

1.27mm PITCH DIL  
VERTICAL SMT SOCKET ASSY

DRAWING NUMBER:

**M52-515XX45**

SHT  
2 OF 2

## X-ON Electronics

Largest Supplier of Electrical and Electronic Components

*Click to view similar products for [Headers & Wire Housings](#) category:*

*Click to view products by [Harwin](#) manufacturer:*

Other Similar products are found below :

[892-18-020-10-001101](#) [58102-G61-06LF](#) [582553-1](#) [0009485154](#) [009176003701906](#) [0050291907](#) [LY20-4P-DT1-P1E-BR](#) [02.125.8002.8](#)  
[609-3404](#) [61062-3](#) [622-0430](#) [622-3653LF](#) [63453-116](#) [636-1030](#) [636-1427](#) [636-3427](#) [636-4007](#) [641938-9](#) [641991-4](#) [644827-2](#) [65817-010LF](#)  
[65817-015LF](#) [65863-015LF](#) [66207-023LF](#) [67095-007LF](#) [67601157](#) [68648-049](#) [70.362.1628.0](#) [70-4210](#) [70-4226B](#) [70-4853B](#) [707-5020](#) [707-5028](#) [71.350.2428.0](#) [71918-208LF](#) [71961-016LF](#) [733-134](#) [733-162](#) [754199-000](#) [760-3052](#) [787-8014-00](#) [79531-3000](#) [FCN-360C032-B](#) [FCN-367T-T012/H](#) [FCN-723D010/2](#) [80.063.4001.1](#) [800-90-001-10-001000](#) [800-90-010-10-002000](#) [801-43-002-10-013000](#) [801-43-006-10-002000](#)