

Customer Information Sheet

DRAWING No.: M55-60XXX42R

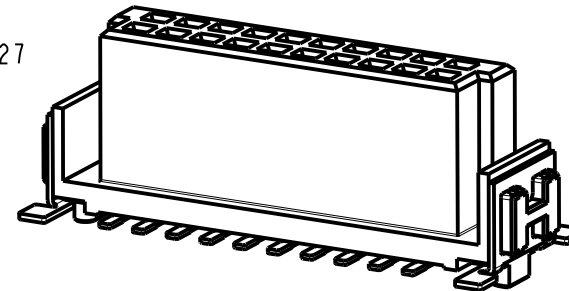
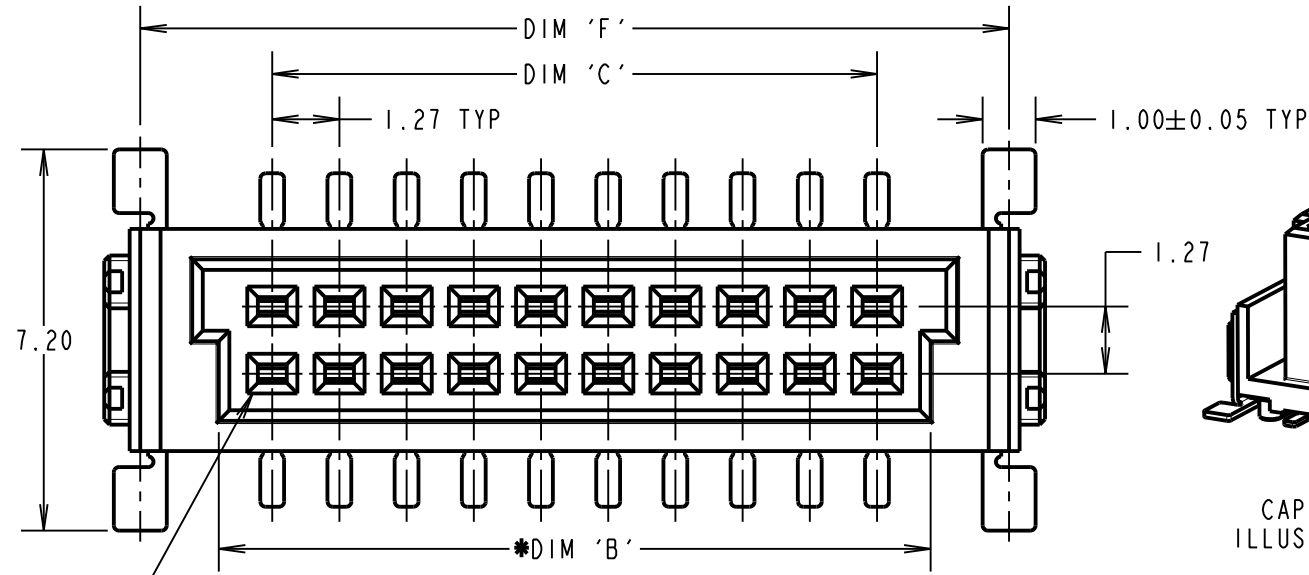
IF IN DOUBT - ASK

©

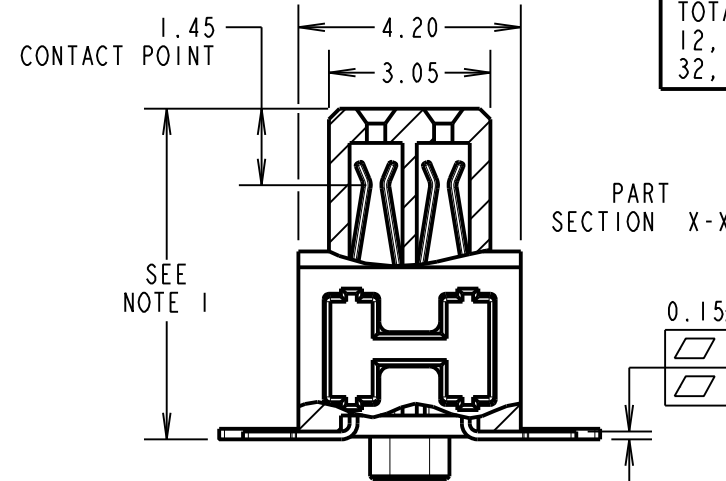
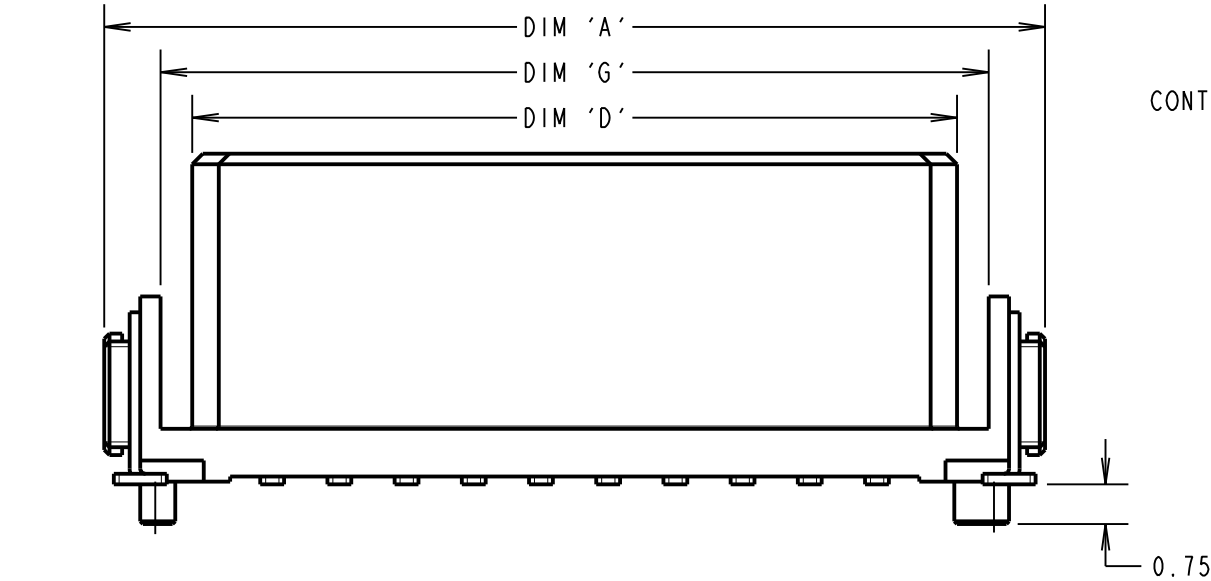
NOT TO SCALE

THIRD ANGLE PROJECTION

ALL DIMENSIONS IN mm



CAP HAS BEEN HIDDEN FOR ILLUSTRATION PURPOSES ONLY. SEE NOTE 1



ORDER CODE:
M55-60XXX42R

CONNECTOR HEIGHT:
0 = 6.25
1 = 9.05
2 = 13.65

TOTAL No. OF CONTACTS:
12, 16, 20, 26,
32, 40, 50, 68, 80

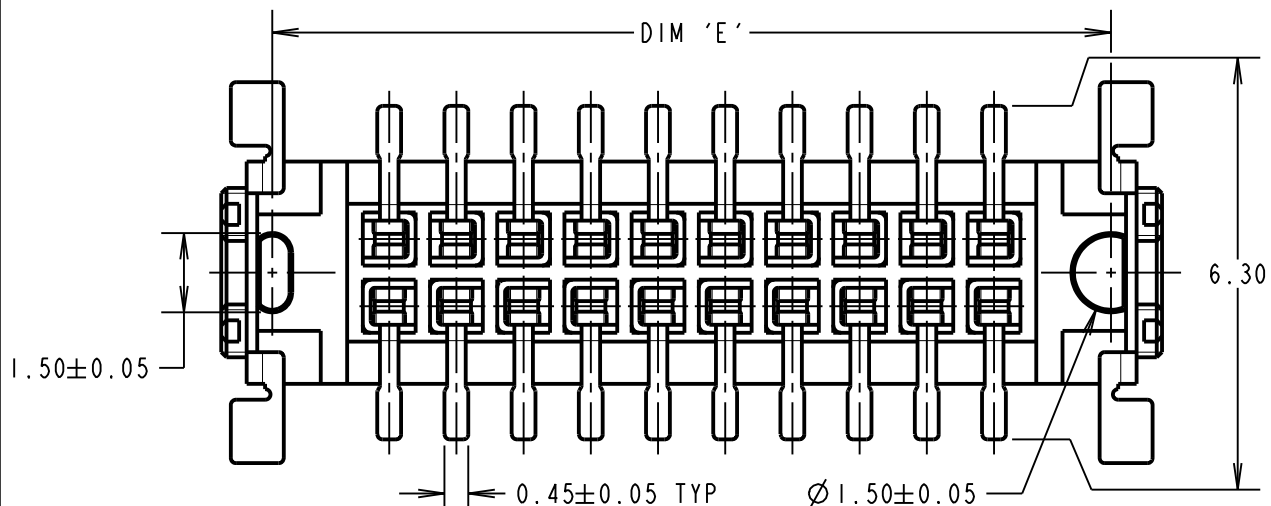
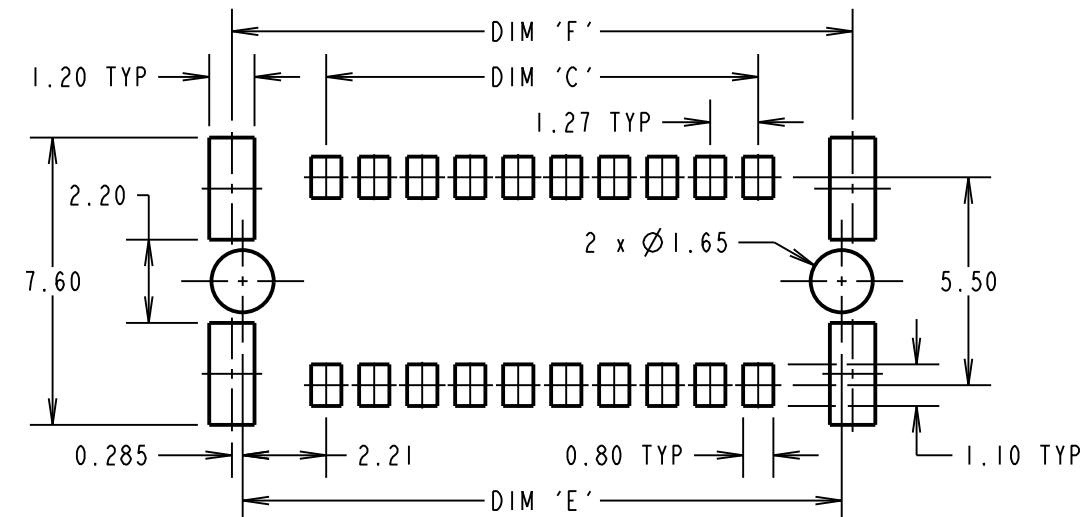
SPECIFICATIONS:
MATERIAL:
MOULDING & CAP = HIGH TEMP, LCP, UL94V-0
CONTACT = PHOSPHOR BRONZE
RETAINING STRAP = BRASS
PLATING:
CONTACT = 0.025µm MIN GOLD OVER
2.03µm MIN NICKEL ON CONTACT AREA,
2.54µm MIN TIN OVER
1.27µm MIN NICKEL ON TAILS
RETAINING STRAP = 2.45µm MIN TIN OVER
1.01µm MIN NICKEL

ELECTRICAL:
CURRENT RATING = 1.2A MAX
CONTACT RESISTANCE = 25mΩ MAX
INSULATION RESISTANCE = 10GΩ MIN
VOLTAGE RATING = 100V AC
VOLTAGE PROOF = 500V AC FOR 1 MIN

MECHANICAL:
INSERTION FORCE = 0.8N MAX PER CONTACT
WITHDRAWAL FORCE = 0.2N MIN PER CONTACT
DURABILITY = 500 CYCLES

ENVIRONMENTAL:
TEMPERATURE RANGE = -55°C TO +125°C

RECOMMENDED PCB LAYOUT
(TOLERANCE = ±0.05)



0.15±0.02	0.1	12 - 50 CONTACTS
	0.15	68 - 80 CONTACTS

- NOTES:
- SEE ORDER CODE AND SHEET 5 FOR CONNECTOR HEIGHT AND CAP DETAILS.
 - FOR TAPE AND REEL DETAILS, SEE SHEET 6.
 - ALL TOLERANCES ARE ±0.20, UNLESS OTHERWISE STATED.
 - FOR COMPLETE SPECIFICATION SEE COMPONENT SPECIFICATION C047XX (LATEST ISSUE).

HARWIN

www.harwin.com
technical@harwin.com

THIS DRAWING AND ANY INFORMATION OR DESCRIPTIVE MATTER SET OUT HEREON ARE CONFIDENTIAL AND COPYRIGHT PROPERTY OF THE HARWIN GROUP AND MUST NOT BE DISCLOSED, LOANED, COPIED OR USED FOR MANUFACTURING, TENDERING OR FOR ANY OTHER PURPOSE WITHOUT THEIR WRITTEN PERMISSION.

TOLERANCES
X = ±1mm
X.X = ±0.50mm
X.XX = ±0.20mm
X.XXX = ±0.01mm
ANGLES = ±5°
UNLESS STATED

MATERIAL:
SEE ABOVE

FINISH:
SEE ABOVE

S/AREA:
mm²

TITLE:
1.27mm PITCH VERTICAL FEMALE CONNECTOR

DRAWING NUMBER:
M55-60XXX42R

RA	6	06.03.20	21558
NAME	ISS.	DATE	C/NOTE
APPROVED: R.ALEXANDER			
CHECKED: R.PORTLOCK			
DRAWN: M.PERREN			
CUSTOMER REF.:			
ASSEMBLY DRG:			

Customer Information Sheet

DRAWING No.: M55-60XXX42R

IF IN DOUBT - ASK

©

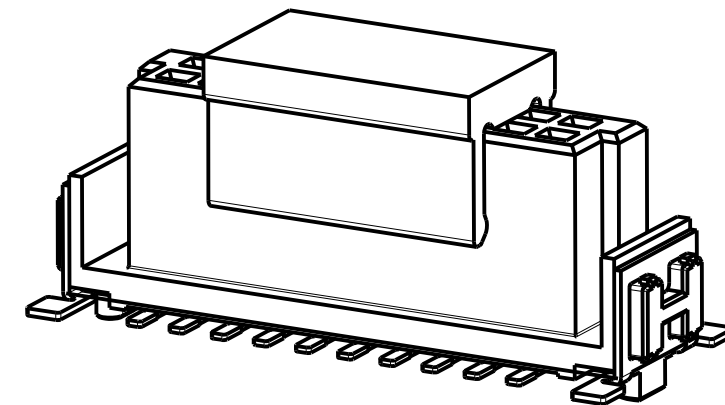
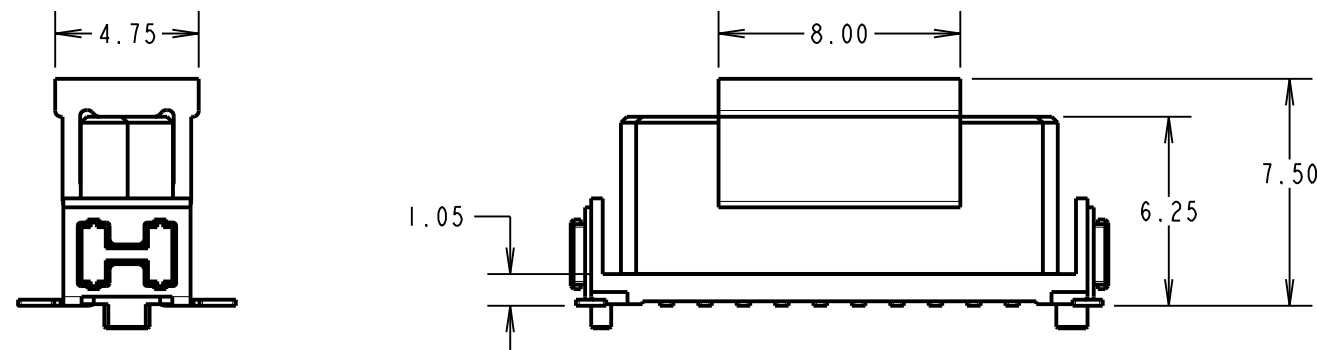
NOT TO SCALE

THIRD ANGLE PROJECTION

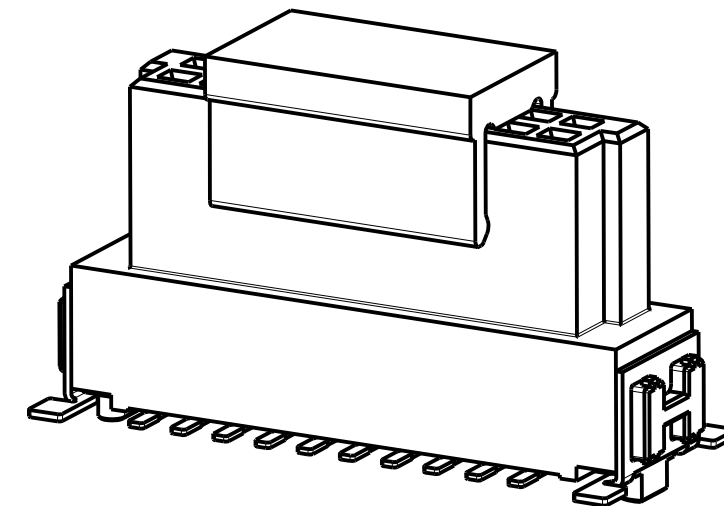
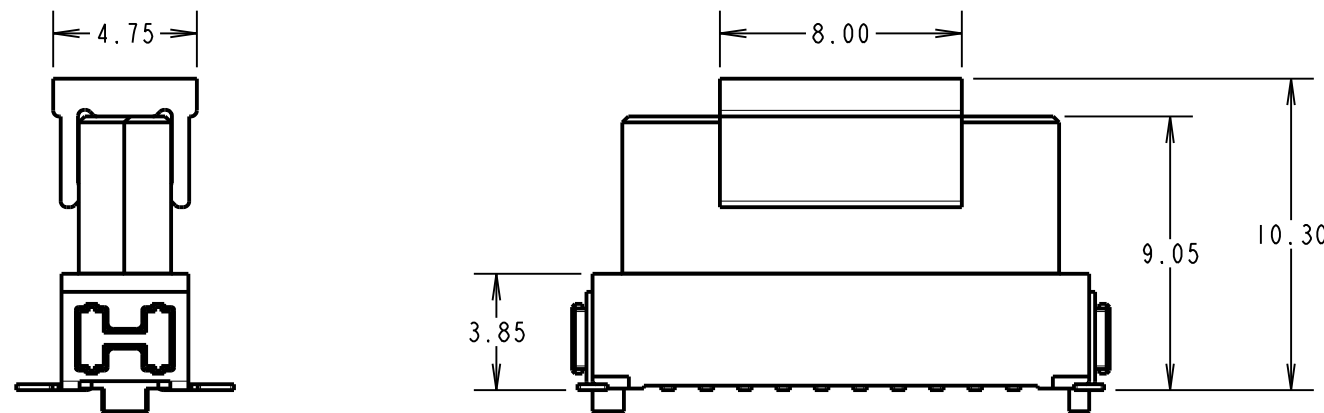
ALL DIMENSIONS IN mm

CONNECTOR HEIGHT DETAILS

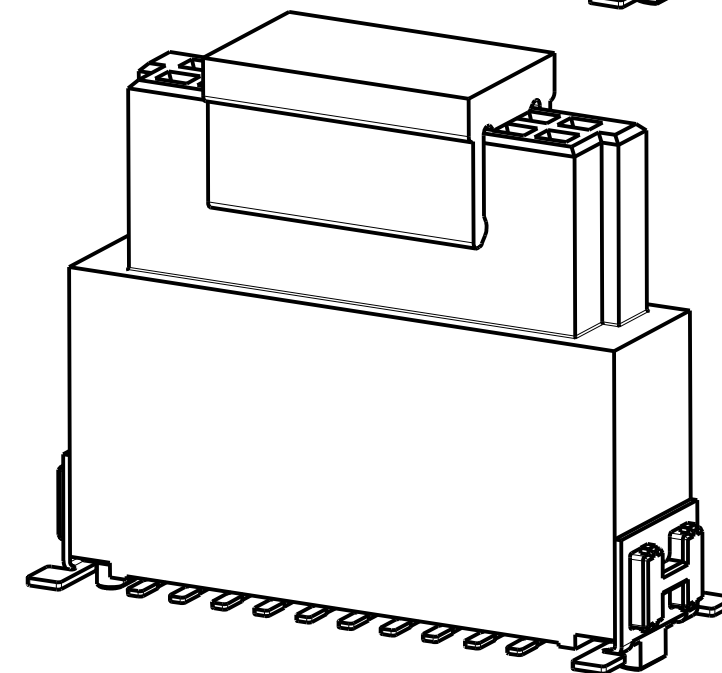
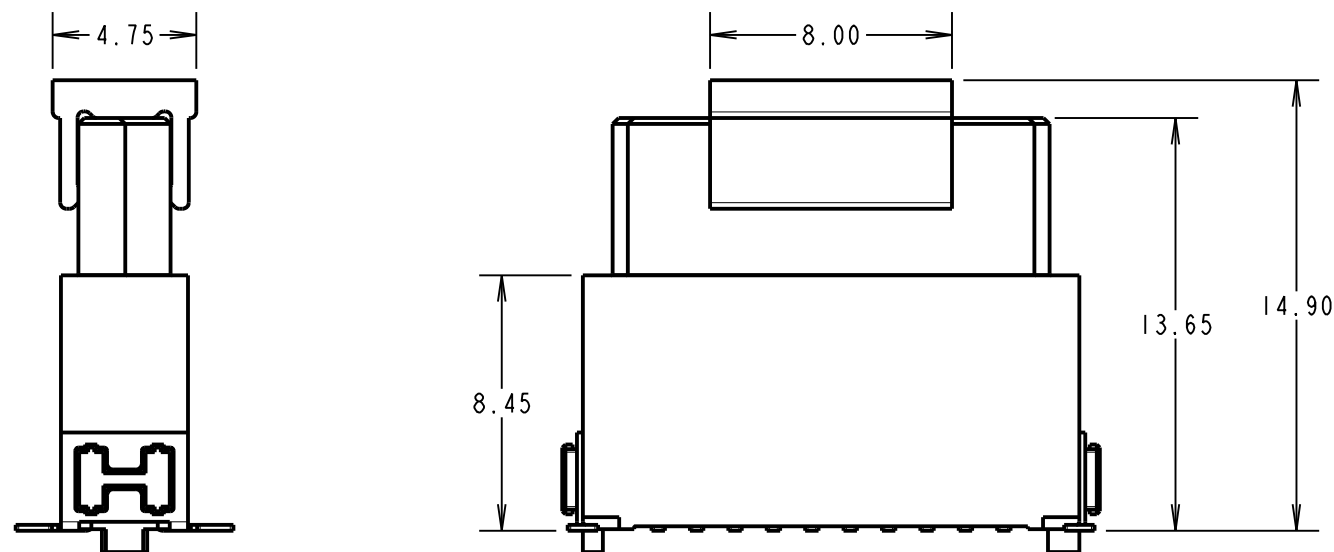
M55-600XX42R



M55-601XX42R



M55-602XX42R



RA	6	06.03.20	21558
NAME	ISS.	DATE	C/NOTE
APPROVED:		R.ALEXANDER	
CHECKED:		R.PORTLOCK	
DRAWN:		M.PERREN	
CUSTOMER REF.:			
ASSEMBLY DRG:			

NOTES:
1. ALL TOLERANCES ARE ± 0.20 , UNLESS OTHERWISE STATED.

HARWIN

www.harwin.com
technical@harwin.com

THIS DRAWING AND ANY INFORMATION OR DESCRIPTIVE MATTER SET OUT HEREON ARE CONFIDENTIAL AND COPYRIGHT PROPERTY OF THE HARWIN GROUP AND MUST NOT BE DISCLOSED, LOANED, COPIED OR USED FOR MANUFACTURING, TENDERING OR FOR ANY OTHER PURPOSE WITHOUT THEIR WRITTEN PERMISSION.

TOLERANCES
X. = ± 1 mm
X.X = ± 0.50 mm
X.XX = ± 0.20 mm
X.XXX = ± 0.01 mm
ANGLES = $\pm 5^\circ$
UNLESS STATED

MATERIAL:
SEE SHEET 4
FINISH: SEE SHEET 4
S/AREA: mm²

TITLE:
1.27mm PITCH VERTICAL FEMALE CONNECTOR
DRAWING NUMBER:
M55-60XXX42R
SHT 5 OF 6

Customer Information Sheet

DRAWING No.: M55-60XXX42R

IF IN DOUBT - ASK

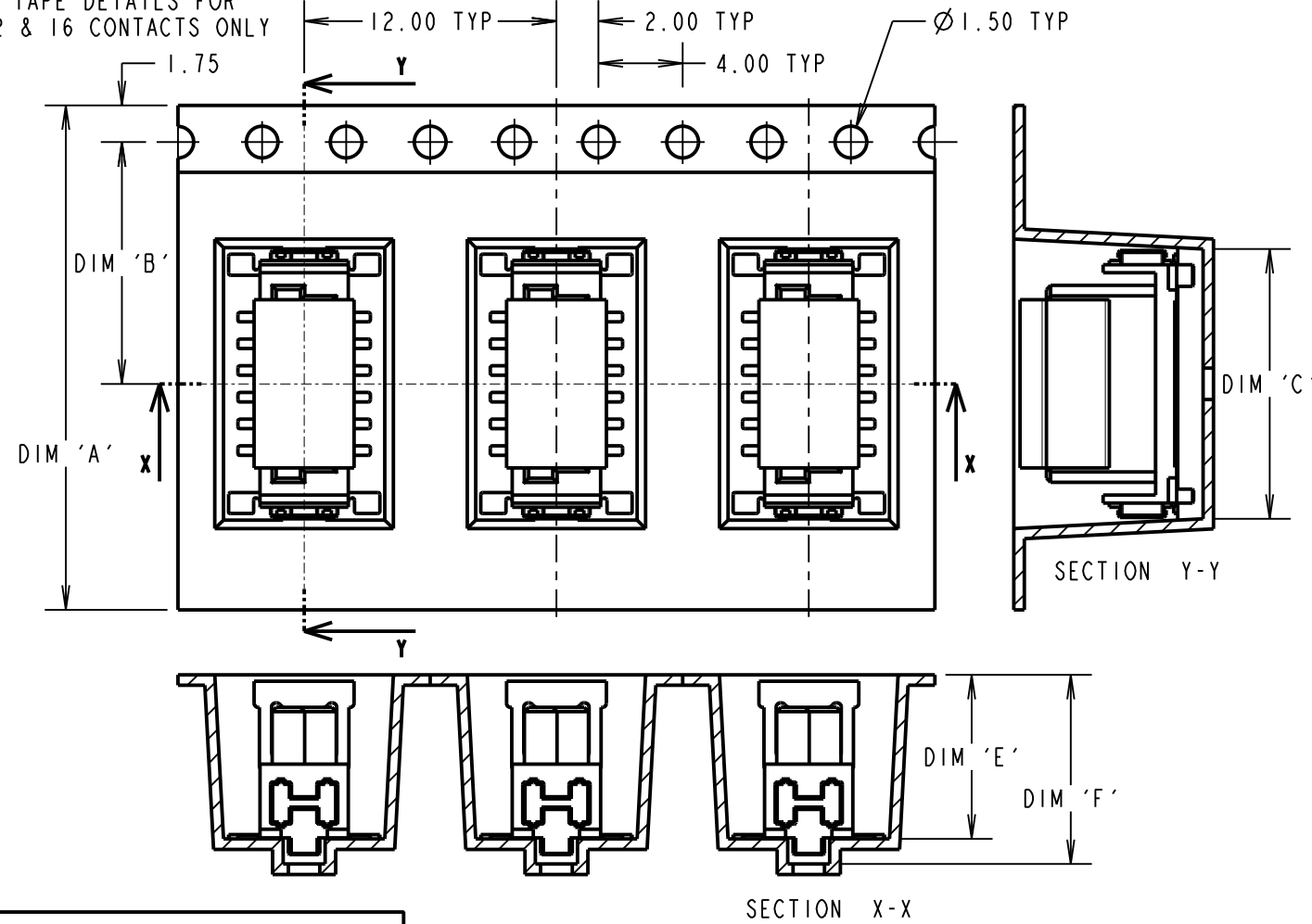
©

NOT TO SCALE

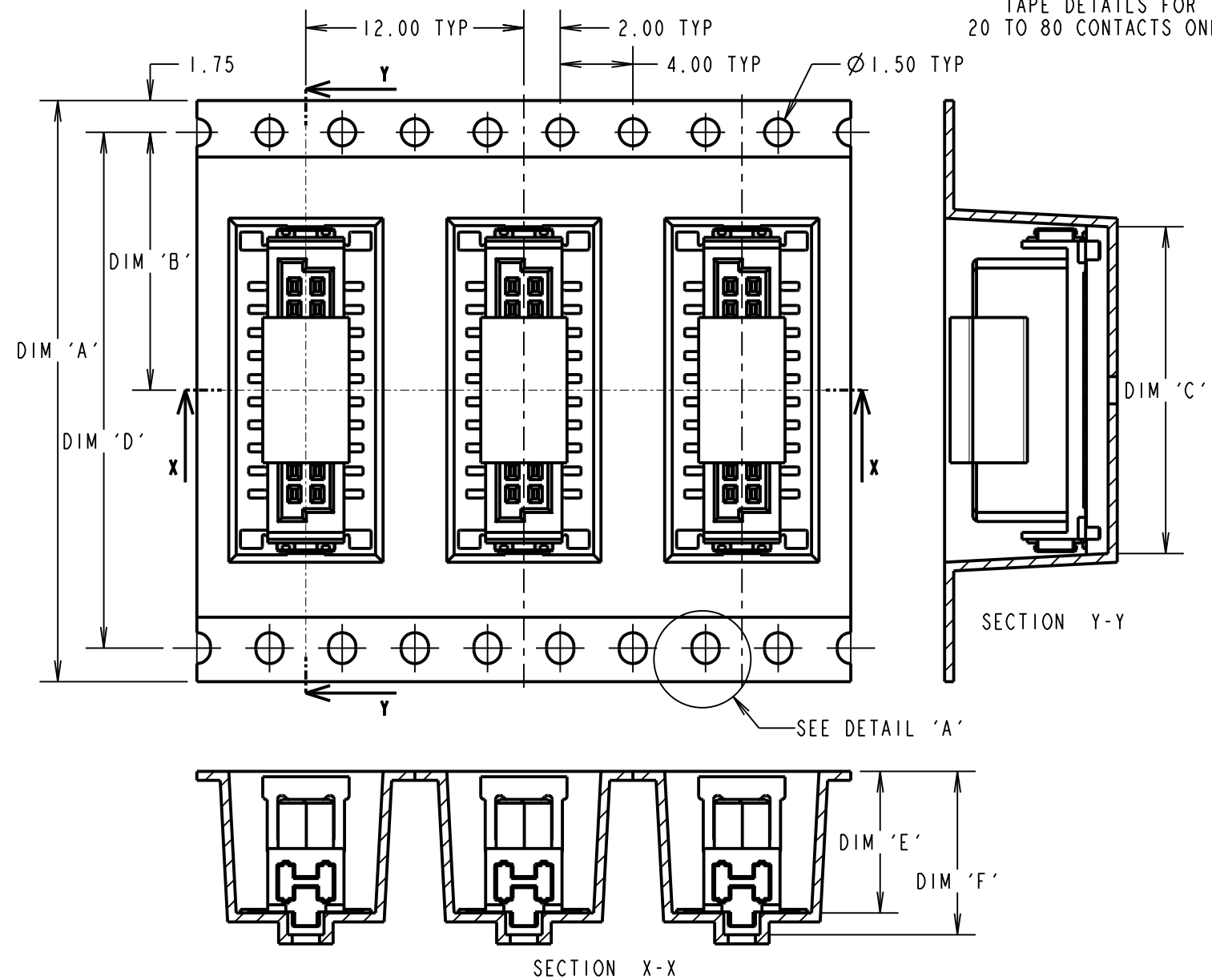
THIRD ANGLE PROJECTION

ALL DIMENSIONS IN mm

TAPE DETAILS FOR
12 & 16 CONTACTS ONLY



TAPE DETAILS FOR
20 TO 80 CONTACTS ONLY



ORDER CODE:
M55-60XXX42R

CONNECTOR HEIGHT:
0 = 6.25
1 = 9.05
2 = 13.65

TOTAL No. OF CONTACTS:
12, 16, 20, 26,
32, 40, 50, 68, 80

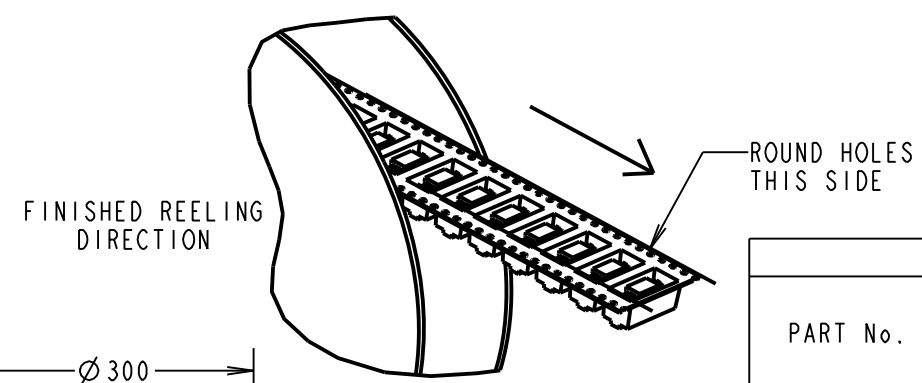
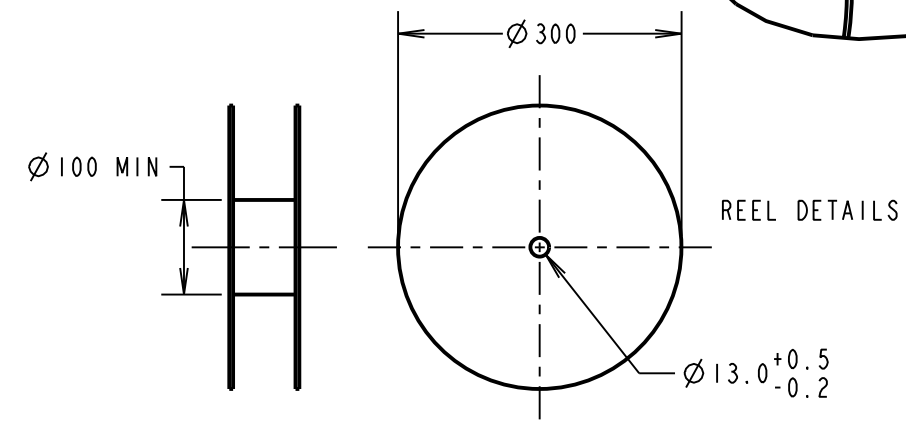
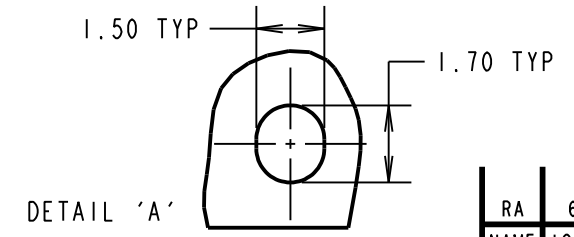


TABLE 1

PART No.	DIMENSION			
	DIM 'A' ±0.30	DIM 'B'	DIM 'C' ±0.15	DIM 'D'
M55-60X1242R	24.00	11.50	12.90	N/A
M55-60X1642R	32.00	14.20	18.00	28.40
M55-60X2042R	44.00	20.20	21.79	40.40
M55-60X2642R	56.00	26.20	37.03	52.40
M55-60X3242R	72.00	34.20	48.46	68.40
M55-60X4042R			56.08	

TABLE 2

PART No.	DIMENSION		PACK QTY
	DIM 'E'	DIM 'F'	
M55-600XX42R	7.8	9.0	550
M55-601XX42R	10.6	11.7	400
M55-602XX42R	15.2	16.4	200



NOTES:
1. PRODUCT IS TAPE AND REELED IN GENERAL ACCORDANCE WITH EIA-481 (ELECTRONIC INDUSTRIES ASSOCIATION).
2. FOR CONNECTOR DETAILS, SEE SHEET 4 & 5.

HARWIN
www.harwin.com
technical@harwin.com

THIS DRAWING AND ANY INFORMATION OR DESCRIPTIVE MATTER SET OUT HEREON ARE CONFIDENTIAL AND COPYRIGHT PROPERTY OF THE HARWIN GROUP AND MUST NOT BE DISCLOSED, LOANED, COPIED OR USED FOR MANUFACTURING, TENDERING OR FOR ANY OTHER PURPOSE WITHOUT THEIR WRITTEN PERMISSION.

TOLERANCES
X. = ±1mm
X.X = ±0.50mm
X.XX = ±0.20mm
X.XXX = ±0.01mm
ANGLES = ±5°
UNLESS STATED

MATERIAL:
SEE SHEET 4
FINISH: SEE SHEET 4
S/AREA: mm²

TITLE:
1.27mm PITCH VERTICAL FEMALE CONNECTOR
DRAWING NUMBER:
M55-60XXX42R
SHT 6 OF 6

RA	6	06.03.20	21558
NAME	ISS.	DATE	C/NOTE
APPROVED: R.ALEXANDER			
CHECKED: R.PORTLOCK			
DRAWN: M.PERREN			
CUSTOMER REF.:			
ASSEMBLY DRG:			

X-ON Electronics

Largest Supplier of Electrical and Electronic Components

Click to view similar products for [Board to Board & Mezzanine Connectors](#) category:

Click to view products by [Harwin](#) manufacturer:

Other Similar products are found below :

[589158040000018](#) [MDF7C-18P-2.54DSA\(55\)](#) [FCN-230C068-11](#) [FCN-268F012-G/BD](#) [FCN-268F036-G/BD](#) [FCN-268M012-G/0D](#) [FCN-268M024-G/1D](#) [FCN-723J004/1](#) [MIS-048-01-F-D-DP-K](#) [832-10-034-10-001000](#) [FX4C-80S-1.27DSA](#) [FCN-214Q030-G/0](#) [FCN-234P048-G/0](#) [FCN-235D050-G/C](#) [210-93-314-41-105000](#) [2-22603-0](#) [MDF7-40DP-2.54DSA\(55\)](#) [AXG720047](#) [MIT-114-03-F-D-K](#) [55323-1519](#) [DF33-2P-3.3DSA\(24\)](#) [YFT-20-05-H-03-SB-K](#) [503308-3040](#) [026-6203-PDB](#) [027-6203-PDB](#) [069159702701000](#) [10123981-102LF](#) [101A10019X](#) [55650-0588-C](#) [68682-310LF](#) [68684-306](#) [75140-7012](#) [87471-650](#) [YTW-30-07-H-Q-410-140](#) [FCN-268F024-G0D](#) [10124054-515LF](#) [68685-603](#) [8-1616154-3](#) [MIS-019-01-F-D](#) [FCN-268M024-G/3D](#) [FCN-268M036-G/BD](#) [20021832-06016C1LF](#) [KX15-20KLDL-E1000E](#) [AXE810124](#) [FCN-214J100-G/0](#) [FCN-230C068-E/S](#) [AXE812124](#) [AXE816124](#) [AXE720127](#) [354184](#)