

# Customer Information Sheet

DRAWING No.: M55-710XX42R

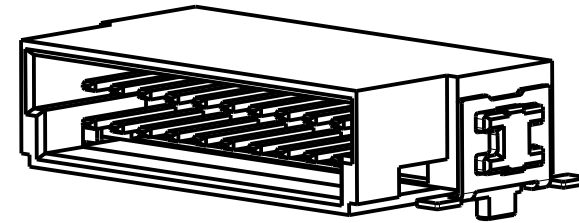
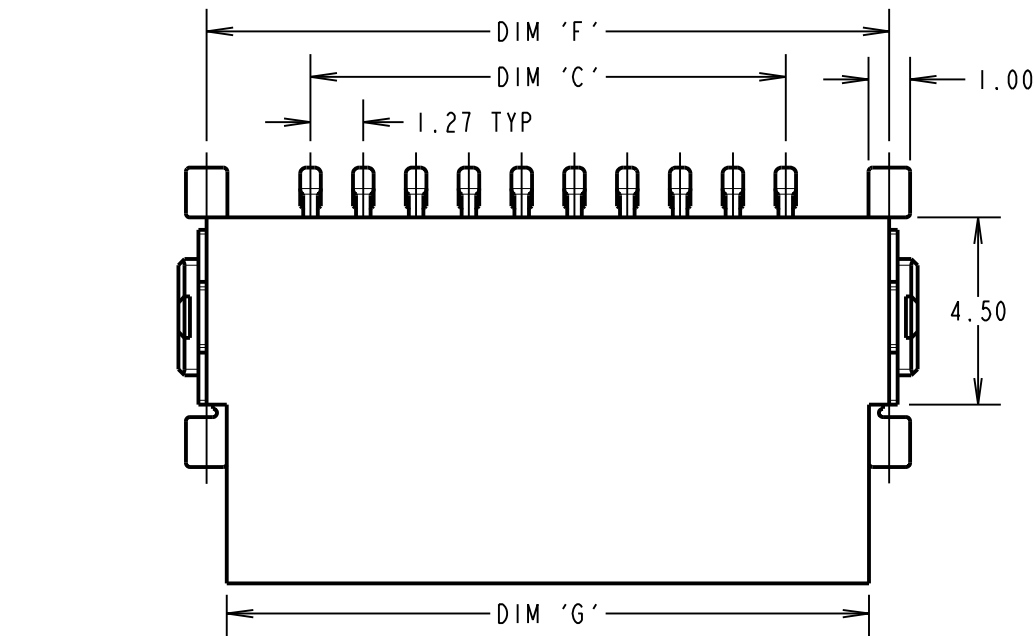
IF IN DOUBT - ASK

©

NOT TO SCALE

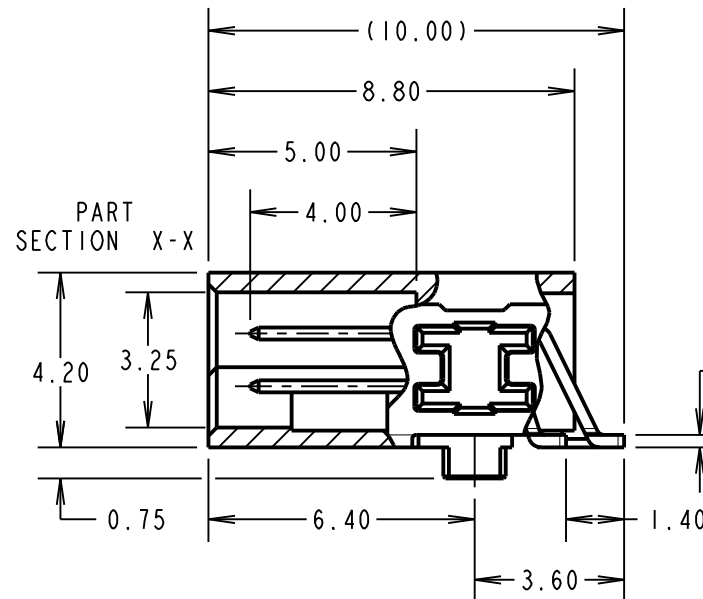
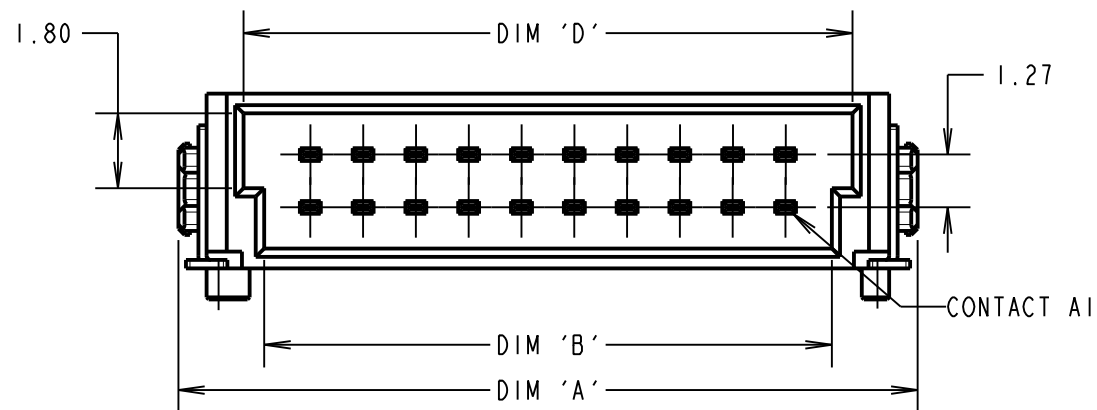
THIRD ANGLE PROJECTION

ALL DIMENSIONS IN mm



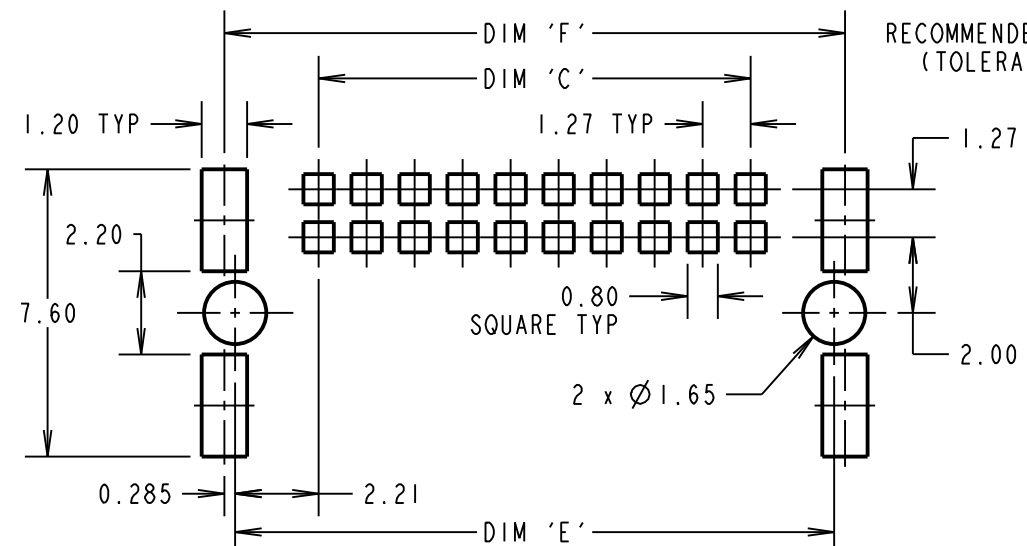
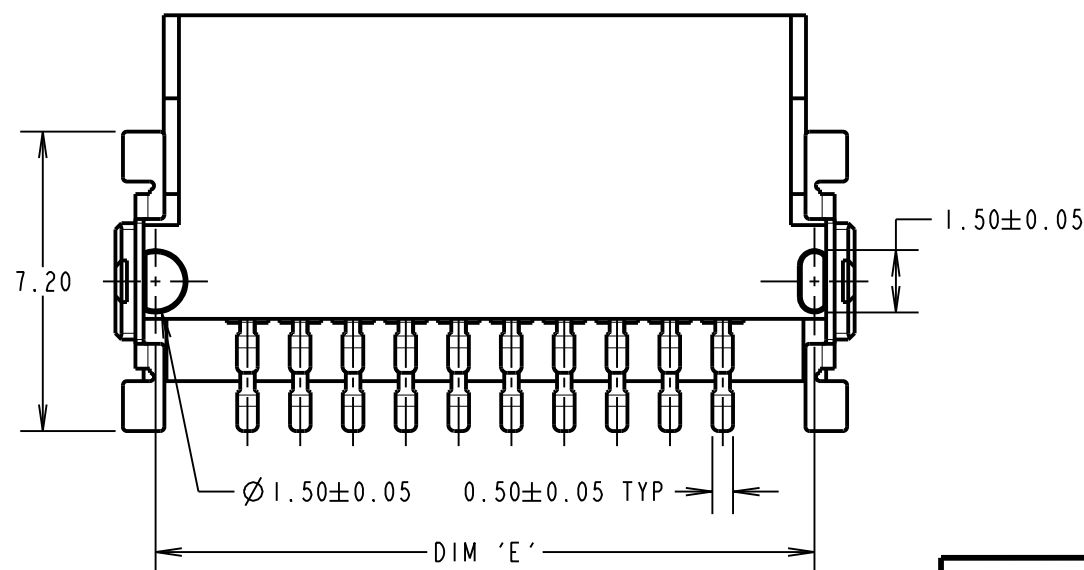
| PART No.     | DIM 'A' | DIM 'B' | DIM 'C' | DIM 'D' | DIM 'E' | DIM 'F' | DIM 'G' |
|--------------|---------|---------|---------|---------|---------|---------|---------|
| M55-7101242R | 12.70   | 8.57    | 6.35    | 9.57    | 10.77   | 11.34   | 10.37   |
| M55-7101642R | 15.24   | 11.11   | 8.89    | 12.11   | 13.31   | 13.88   | 12.91   |
| M55-7102042R | 17.78   | 13.65   | 11.43   | 14.65   | 15.85   | 16.42   | 15.45   |
| M55-7102642R | 21.59   | 17.46   | 15.24   | 18.46   | 19.66   | 20.23   | 19.26   |
| M55-7103242R | 25.40   | 21.27   | 19.05   | 22.27   | 23.47   | 24.04   | 23.07   |
| M55-7104042R | 30.48   | 26.35   | 24.13   | 27.35   | 28.55   | 29.12   | 28.15   |
| M55-7105042R | 36.83   | 32.70   | 30.48   | 33.70   | 34.90   | 35.47   | 34.50   |
| M55-7106842R | 48.26   | 44.13   | 41.91   | 45.13   | 46.33   | 46.90   | 45.93   |
| M55-7108042R | 55.88   | 51.75   | 49.53   | 52.75   | 53.95   | 54.52   | 53.55   |

ORDER CODE:  
**M55-710XX42R**  
 TOTAL No. OF CONTACTS:  
 12, 16, 20, 26,  
 32, 40, 50, 68, 80



|      |      |                  |
|------|------|------------------|
| 0.30 | 0.10 | 12 - 50 CONTACTS |
|      | 0.15 | 68 - 80 CONTACTS |

**SPECIFICATIONS:**  
**MATERIAL:**  
 MOULDING = BLACK LCP, UL94V-0  
 CONTACT = PHOSPHOR BRONZE  
 RETAINING STRAP = BRASS  
**PLATING:**  
 CONTACT = 0.025µm MIN GOLD OVER  
 2.03µm MIN NICKEL ON CONTACT AREA,  
 2.54µm MIN TIN OVER  
 1.27µm MIN NICKEL ON TAILS  
 RETAINING STRAP = 2.45µm MIN TIN OVER  
 1.01µm MIN NICKEL  
**ELECTRICAL:**  
 CURRENT RATING = 1.2A MAX  
 CONTACT RESISTANCE = 25mΩ MAX  
 INSULATION RESISTANCE = 10GΩ MIN  
 VOLTAGE PROOF = 500V AC FOR 1 MIN  
**MECHANICAL:**  
 DURABILITY = 500 CYCLES  
**ENVIRONMENTAL:**  
 TEMPERATURE RANGE = -55°C TO +125°C



**NOTES:**  
 1. FOR TAPE AND REEL DETAILS, SEE SHEET 4.  
 2. ALL TOLERANCES ARE ±0.20mm UNLESS OTHERWISE STATED.  
 3. FOR COMPLETE SPECIFICATION SEE COMPONENT SPECIFICATION C047XX (LATEST ISSUE).

**HARWIN**  
 www.harwin.com  
 technical@harwin.com

THIS DRAWING AND ANY INFORMATION OR DESCRIPTIVE MATTER SET OUT HEREON ARE CONFIDENTIAL AND COPYRIGHT PROPERTY OF THE HARWIN GROUP AND MUST NOT BE DISCLOSED, LOANED, COPIED OR USED FOR MANUFACTURING, TENDERING OR FOR ANY OTHER PURPOSE WITHOUT THEIR WRITTEN PERMISSION.

**TOLERANCES**  
 X = ±1mm  
 X.X = ±0.50mm  
 X.XX = ±0.20mm  
 X.XXX = ±0.01mm  
 ANGLES = ±5°  
 UNLESS STATED

**MATERIAL:**  
 SEE ABOVE  
**FINISH:**  
 SEE ABOVE  
**S/AREA:**  
 mm<sup>2</sup>

**TITLE:**  
 1.27mm PITCH HORIZONTAL MALE CONNECTOR  
**DRAWING NUMBER:**  
**M55-710XX42R**  
**ASSEMBLY DRG:**  
 RA 6 06.03.20 21558  
 NAME ISS. DATE C/NOTE  
 APPROVED: R.ALEXANDER  
 CHECKED: R.PORTLOCK  
 DRAWN: M.PERREN  
 CUSTOMER REF.:  
 SHT 3 OF 4

# Customer Information Sheet

DRAWING No.: M55-710XX42R

IF IN DOUBT - ASK

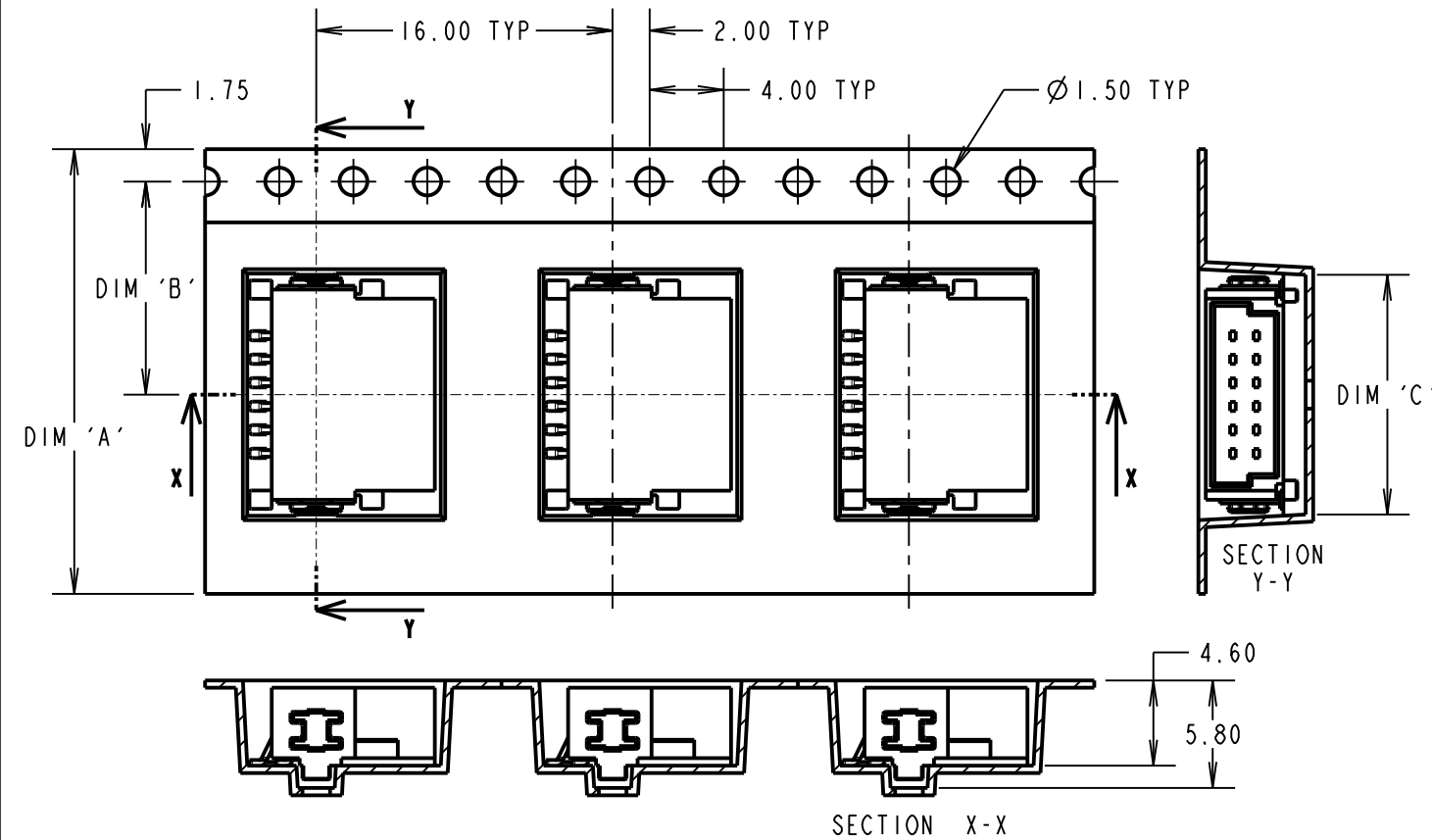
©

NOT TO SCALE

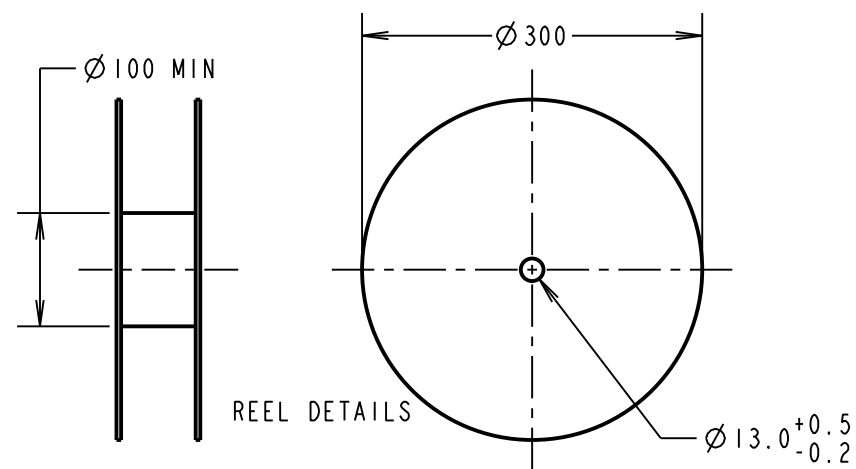
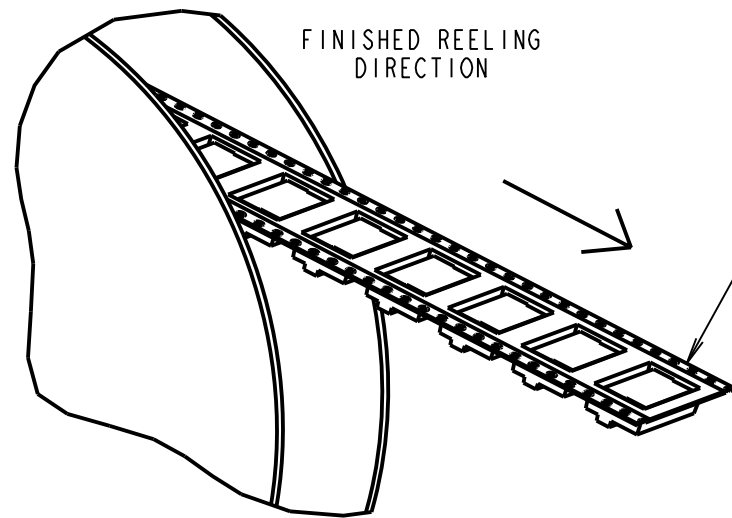
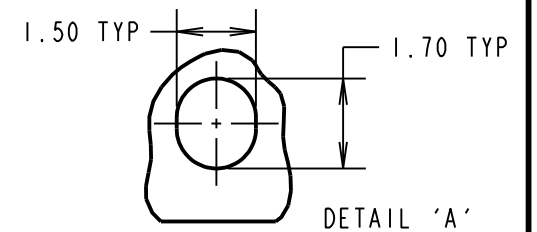
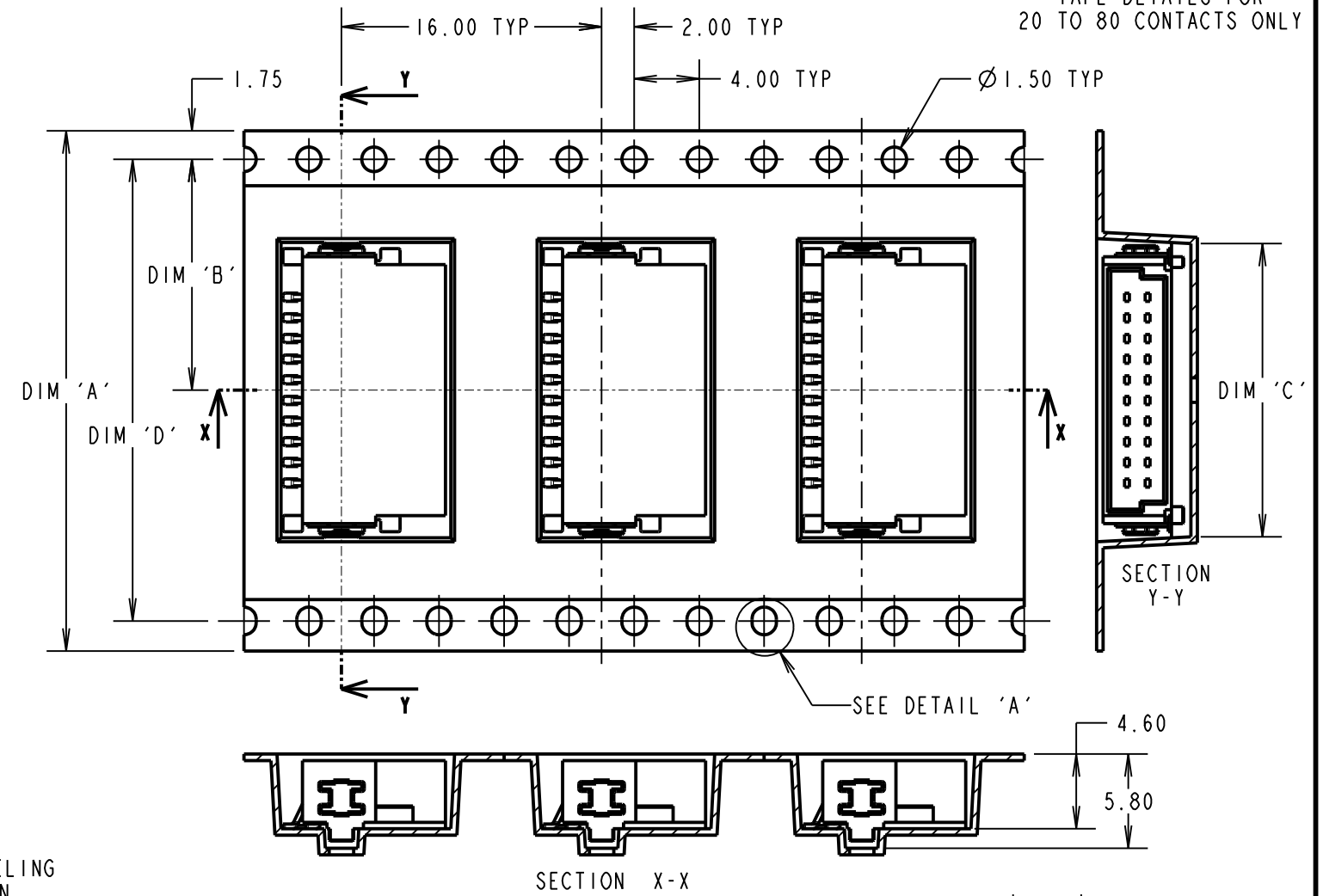
THIRD ANGLE PROJECTION

ALL DIMENSIONS IN mm

TAPE DETAILS FOR  
12 & 16 CONTACTS ONLY



TAPE DETAILS FOR  
20 TO 80 CONTACTS ONLY



ORDER CODE: **M55-710XX42R**

TOTAL No. OF CONTACTS:  
12, 16, 20, 26,  
32, 40, 50, 68, 80

| PART No.     | DIMENSION        |         |                  |         | PACK QTY |
|--------------|------------------|---------|------------------|---------|----------|
|              | DIM 'A'<br>±0.30 | DIM 'B' | DIM 'C'<br>±0.15 | DIM 'D' |          |
| M55-7101242R | 24.00            | 11.50   | 12.90            | N/A     | 600      |
| M55-7101642R | 32.00            | 14.20   | 18.00            | 28.40   |          |
| M55-7102042R | 44.00            | 20.20   | 21.79            | 40.40   |          |
| M55-7102642R | 56.00            | 26.20   | 37.03            | 52.40   |          |
| M55-7103242R | 72.00            | 34.20   | 48.46            | 68.40   |          |
| M55-7104042R |                  |         | 56.08            |         |          |
| M55-7105042R |                  |         |                  |         |          |
| M55-7106842R |                  |         |                  |         |          |

|                |      |             |        |
|----------------|------|-------------|--------|
| RA             | 6    | 06.03.20    | 21558  |
| NAME           | ISS. | DATE        | C/NOTE |
| APPROVED:      |      | R.ALEXANDER |        |
| CHECKED:       |      | R.PORTLOCK  |        |
| DRAWN:         |      | M.PERREN    |        |
| CUSTOMER REF.: |      |             |        |
| ASSEMBLY DRG:  |      |             |        |

- NOTES:
- PRODUCT IS TAPE AND REELED IN GENERAL ACCORDANCE WITH EIA-481 (ELECTRICAL INDUSTRIES ASSOCIATION).
  - FOR CONNECTOR DETAILS AND SPECIFICATIONS, SEE SHEET 3.

**HARWIN**

www.harwin.com  
technical@harwin.com

THIS DRAWING AND ANY INFORMATION OR DESCRIPTIVE MATTER SET OUT HEREON ARE CONFIDENTIAL AND COPYRIGHT PROPERTY OF THE HARWIN GROUP AND MUST NOT BE DISCLOSED, LOANED, COPIED OR USED FOR MANUFACTURING, TENDERING OR FOR ANY OTHER PURPOSE WITHOUT THEIR WRITTEN PERMISSION.

TOLERANCES  
X. = ±1mm  
X.X = ±0.50mm  
X.XX = ±0.20mm  
X.XXX = ±0.01mm  
ANGLES = ±5°  
UNLESS STATED

MATERIAL:  
SEE SHEET 3  
FINISH: SEE SHEET 3  
S/AREA: mm<sup>2</sup>

TITLE:  
1.27mm PITCH HORIZONTAL MALE CONNECTOR

DRAWING NUMBER:  
**M55-710XX42R**

SHT  
4 OF 4

## X-ON Electronics

Largest Supplier of Electrical and Electronic Components

*Click to view similar products for [Board to Board & Mezzanine Connectors](#) category:*

*Click to view products by [Harwin](#) manufacturer:*

Other Similar products are found below :

[589158040000018](#) [MDF7C-18P-2.54DSA\(55\)](#) [FCN-230C068-11](#) [FCN-268F012-G/BD](#) [FCN-268F036-G/BD](#) [FCN-268M012-G/0D](#) [FCN-268M024-G/1D](#) [FCN-723J004/1](#) [MIS-048-01-F-D-DP-K](#) [832-10-034-10-001000](#) [FX4C-80S-1.27DSA](#) [FCN-214Q030-G/0](#) [FCN-234P048-G/0](#) [FCN-235D050-G/C](#) [210-93-314-41-105000](#) [2-22603-0](#) [MDF7-40DP-2.54DSA\(55\)](#) [AXG720047](#) [MIT-114-03-F-D-K](#) [55323-1519](#) [DF33-2P-3.3DSA\(24\)](#) [YFT-20-05-H-03-SB-K](#) [503308-3040](#) [026-6203-PDB](#) [027-6203-PDB](#) [069159702701000](#) [10123981-102LF](#) [101A10019X](#) [55650-0588-C](#) [68682-310LF](#) [68684-306](#) [75140-7012](#) [87471-650](#) [YTW-30-07-H-Q-410-140](#) [FCN-268F024-G0D](#) [10124054-515LF](#) [68685-603](#) [8-1616154-3](#) [MIS-019-01-F-D](#) [FCN-268M024-G/3D](#) [FCN-268M036-G/BD](#) [20021832-06016C1LF](#) [KX15-20KLDL-E1000E](#) [AXE810124](#) [FCN-214J100-G/0](#) [FCN-230C068-E/S](#) [AXE812124](#) [AXE816124](#) [AXE720127](#) [354184](#)