

Customer Information Sheet

DRAWING No.: M58-350XX42R

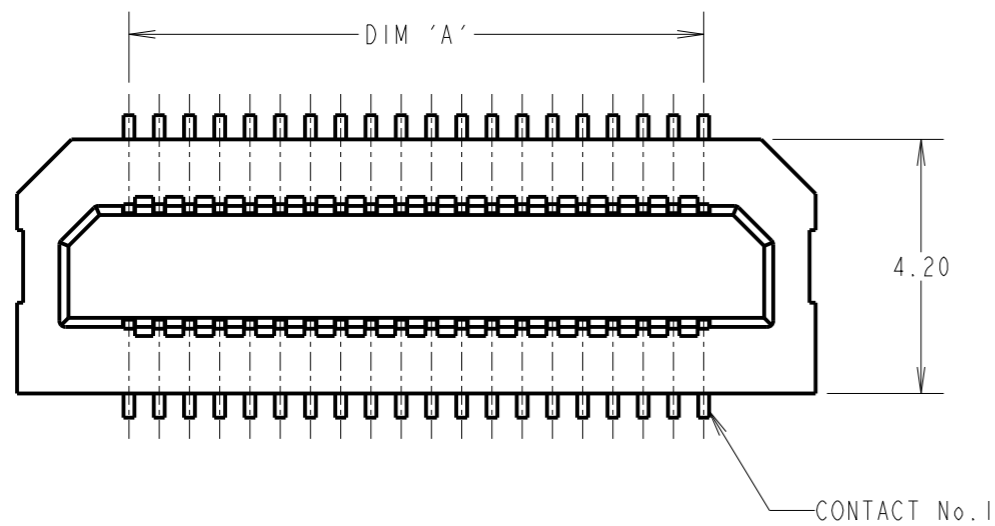
IF IN DOUBT - ASK

©

NOT TO SCALE

THIRD ANGLE PROJECTION

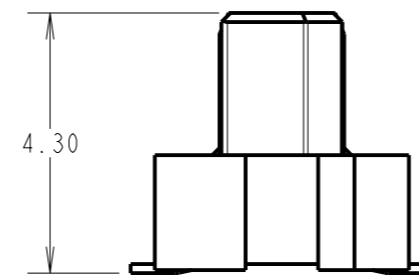
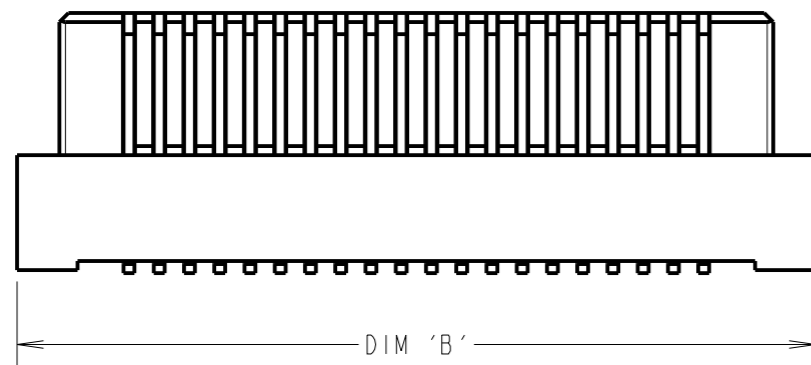
ALL DIMENSIONS IN mm



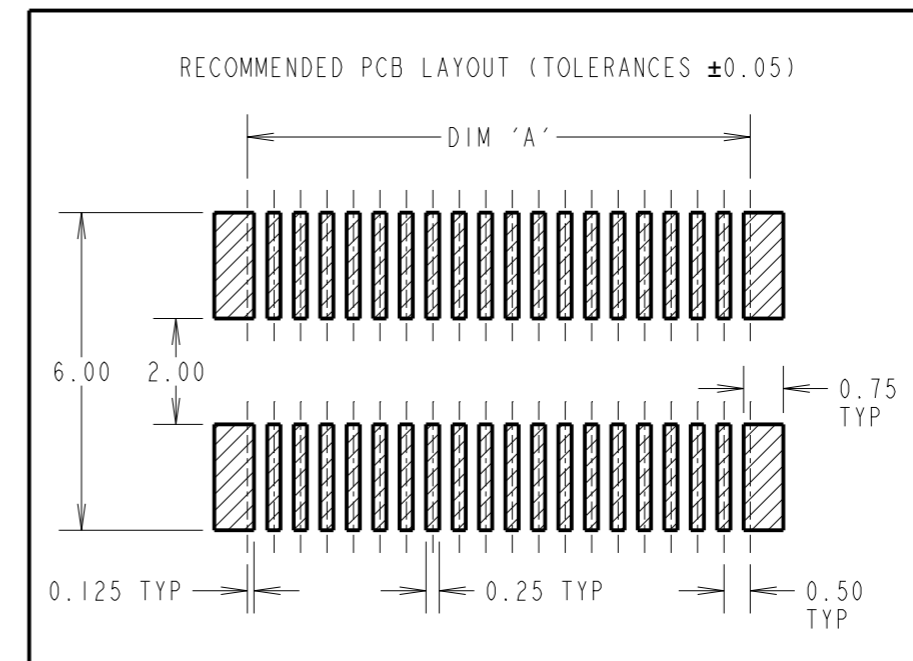
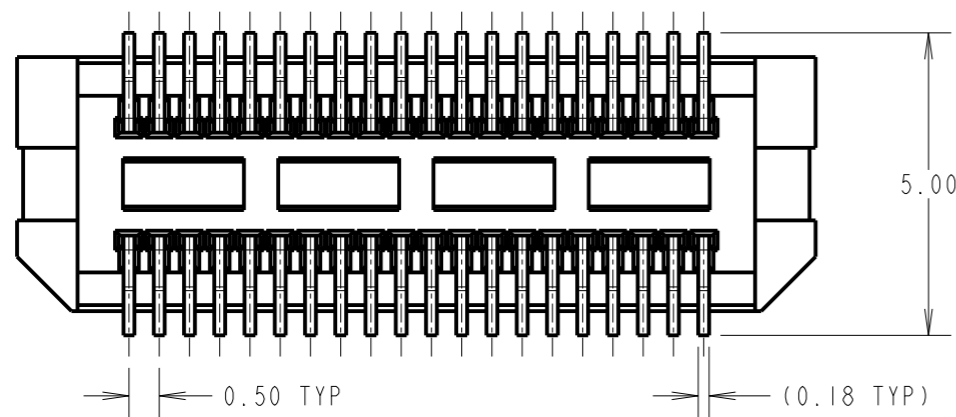
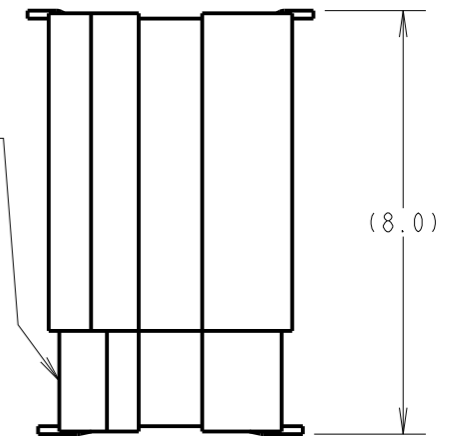
NOTES:

1. FOR COMPLETE SPECIFICATION SEE COMPONENT SPECIFICATION C054XX (LATEST ISSUE).
2. SEE SHEET 4 FOR TAPE AND REEL DETAILS.
3. DRAWING SHOWS M58-3500442R.
4. PCB LAYOUT SHOWING FOOTPRINT OF M58-3500442R. LARGER END PADS ARE TO ASSIST WITH CONNECTOR ALIGNMENT DURING SOLDERING.

| PART No. | DIMENSION | | WEIGHT (g) |
|--------------|-----------|---------|------------|
| | DIM 'A' | DIM 'B' | |
| M58-3500342R | 7.00 | 10.70 | 0.22 |
| M58-3500442R | 9.50 | 13.20 | 0.27 |
| M58-3500842R | 19.50 | 23.20 | 0.52 |
| M58-3501042R | 24.50 | 28.20 | 0.64 |



MATED VIEW FOR STACK HEIGHT WHEN MATED WITH M58-250XX42R



TOLERANCES

| | |
|------|-----------------|
| X. | = ± 0.50 mm |
| .X | = ± 0.25 mm |
| .XX | = ± 0.15 mm |
| .XXX | = ± 0.08 mm |

UNLESS STATED

| | | | |
|-----------------------|------|----------|-------|
| RA | I | 06.04.22 | 31492 |
| NAME | ISS. | DATE | CN/CO |
| APPROVED: R. PORTLOCK | | | |
| CHECKED: M. RUDKIN | | | |
| DRAWN: R. ALEXANDER | | | |
| CUSTOMER REF.: | | | |
| ASSEMBLY DRG: | | | |

ORDER CODE:

M58-350XX42R

| | |
|--------------------------|---------------------------|
| No. OF CONTACTS: | |
| 03 = 30 CONTACTS (15+15) | 08 = 80 CONTACTS (40+40) |
| 04 = 40 CONTACTS (20+20) | 10 = 100 CONTACTS (50+50) |

HARWIN

www.harwin.com
technical@harwin.com

THIS DRAWING AND ANY INFORMATION OR DESCRIPTIVE MATTER SET OUT HEREON ARE CONFIDENTIAL AND COPYRIGHT PROPERTY OF THE HARWIN GROUP AND MUST NOT BE DISCLOSED, LOANED, COPIED OR USED FOR MANUFACTURING, TENDERING OR FOR ANY OTHER PURPOSE WITHOUT THEIR WRITTEN PERMISSION.

TOLERANCES

| | |
|-------|-----------------|
| X. | = ± 1 mm |
| X.X | = ± 0.50 mm |
| X.XX | = ± 0.20 mm |
| X.XXX | = ± 0.01 mm |

ANGLES = $\pm 5^\circ$
UNLESS STATED

MATERIAL:
SEE NOTE 1

FINISH: SEE NOTE 1

S/AREA: mm²

TITLE:
MALE 0.5mm PITCH BOARD TO BOARD VERTICAL SMT

DRAWING NUMBER:
M58-350XX42R

SHT
3 OF 4

Customer Information Sheet

DRAWING No.: M58-350XX42R

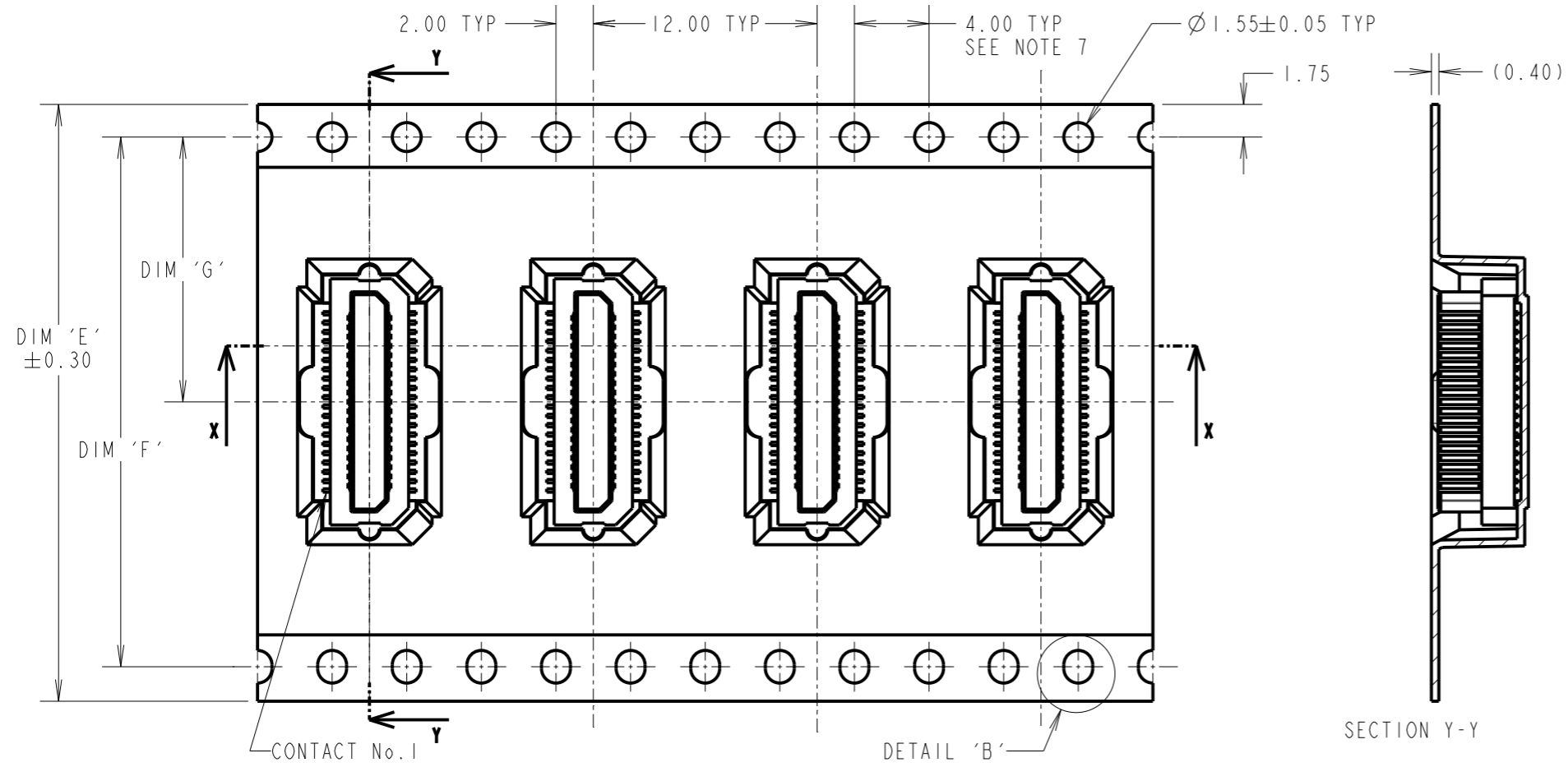
IF IN DOUBT - ASK

©

NOT TO SCALE

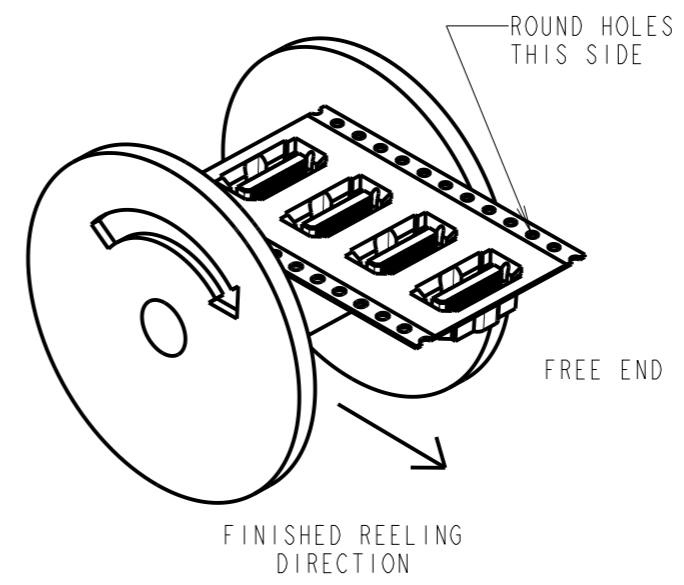
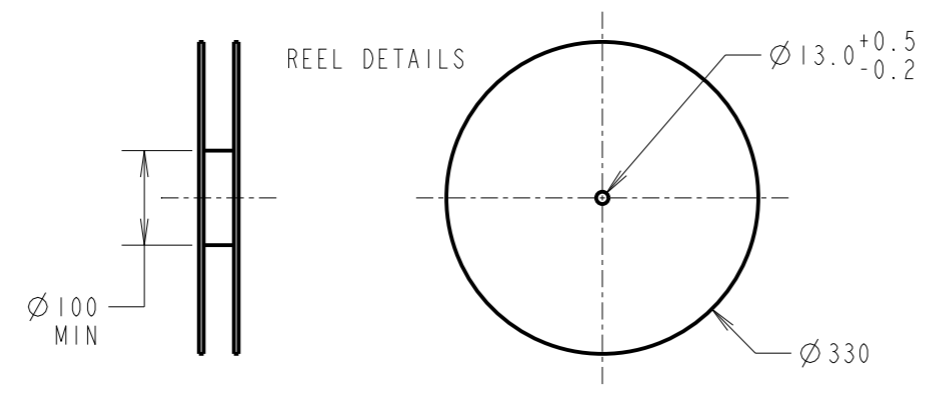
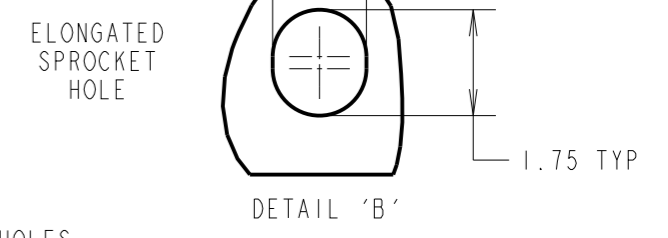
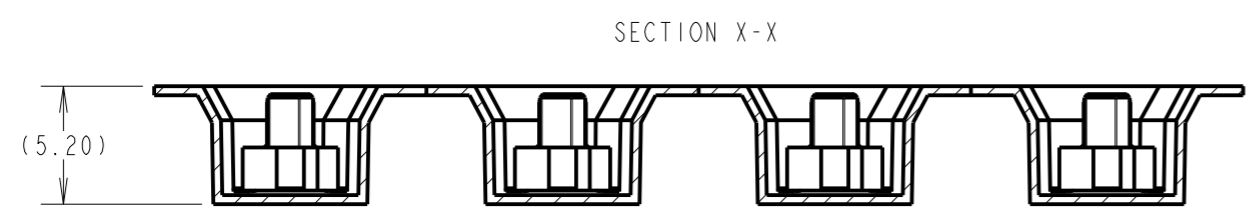
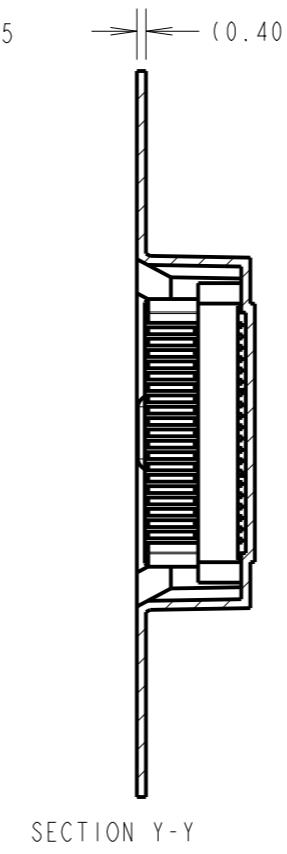
THIRD ANGLE PROJECTION

ALL DIMENSIONS IN mm



- NOTES:
 5. TAPE AND REEL DRAWING SHOWS M58-3500442R.
 6. THIS PRODUCT IS TAPED AND REELED IN GENERAL ACCORDANCE WITH EIA-481 (ELECTRONICS INDUSTRY ASSOCIATION).
 7. CUMMULATIVE TOLERANCE OVER 10 PITCHES = ± 0.20 mm.

| PART No. | DIMENSION | | | PCS/REEL |
|--------------|--------------------|---------|------------------|----------|
| | DIM 'E' ± 0.30 | DIM 'F' | DIM 'G' | |
| M58-3500342R | 32.00 | 28.40 | 14.20 | 900 |
| M58-3500442R | 32.00 | 28.40 | 14.20 | 900 |
| M58-3500842R | 44.00 | 40.40 | 20.20 ± 0.15 | 900 |
| M58-3501042R | 44.00 | 40.40 | 20.20 ± 0.15 | 900 |



| | | | |
|-----------------------|------|----------|-------|
| RA | I | 06.04.22 | 31492 |
| NAME | ISS. | DATE | CN/CO |
| APPROVED: R. PORTLOCK | | | |
| CHECKED: M. RUDKIN | | | |
| DRAWN: R. ALEXANDER | | | |
| CUSTOMER REF.: | | | |
| ASSEMBLY DRG: | | | |

ORDER CODE:
M58-350XX42R

No. OF CONTACTS: _____

03 = 30 CONTACTS (15+15) 08 = 80 CONTACTS (40+40)
 04 = 40 CONTACTS (20+20) 10 = 100 CONTACTS (50+50)

HARWIN

www.harwin.com
 technical@harwin.com

THIS DRAWING AND ANY INFORMATION OR DESCRIPTIVE MATTER SET OUT HEREON ARE CONFIDENTIAL AND COPYRIGHT PROPERTY OF THE HARWIN GROUP AND MUST NOT BE DISCLOSED, LOANED, COPIED OR USED FOR MANUFACTURING, TENDERING OR FOR ANY OTHER PURPOSE WITHOUT THEIR WRITTEN PERMISSION.

TOLERANCES
 X. = ± 1 mm
 X.X = ± 0.50 mm
 X.XX = ± 0.20 mm
 X.XXX = ± 0.01 mm
 ANGLES = $\pm 5^\circ$
 UNLESS STATED

MATERIAL:
 SEE NOTE 1

FINISH: SEE NOTE 1

S/AREA: mm²

TITLE:
 MALE 0.5mm PITCH BOARD TO BOARD VERTICAL SMT

DRAWING NUMBER:
M58-350XX42R

SHT
 4 OF 4

X-ON Electronics

Largest Supplier of Electrical and Electronic Components

Click to view similar products for [Board to Board & Mezzanine Connectors](#) category:

Click to view products by [Harwin](#) manufacturer:

Other Similar products are found below :

[589158040000018](#) [MDF7C-18P-2.54DSA\(55\)](#) [FCN-268F036-G/BD](#) [FCN-268M012-G/0D](#) [FCN-268M024-G/1D](#) [MIS-048-01-F-D-DP-K](#)
[832-10-034-10-001000](#) [FX4C-80S-1.27DSA](#) [93696-330](#) [224393](#) [FCN-235D050-G/C](#) [210-93-314-41-105000](#) [MDF7-40DP-2.54DSA\(55\)](#)
[55323-1519](#) [069159702701000](#) [101A10019X](#) [105061100000861+](#) [75140-7012](#) [87471-650](#) [YTW-30-07-H-Q-410-140](#) [YTT-112-01-H-Q](#)
[1744382-4](#) [063209](#) [10124054-515LF](#) [68685-603](#) [8-1616154-3](#) [YTE-12002H6740](#) [YTQ-12103HQ](#) [YTQ-11201HQ](#) [541371078](#) [IL-WX-](#)
[10PB-HF-B-E1000E](#) [FX23-40P-0.5SV15B](#) [FCN-214J100-G/0](#) [354184](#) [P50-028-DDS-TG](#) [53309-2471](#) [54546-2071](#) [1586617-1](#) [504248-1210](#)
[504248-2010](#) [1-1437355-2](#) [9159005551906](#) [93696-730LF](#) [91922-31141LF](#) [505274-3440](#) [501493-2410](#) [504208-3410](#) [505006-0811](#) [505274-](#)
[2040](#) [202436-1600](#)