

SPECIFICATIONS:

MATERIAL:-

HOUSING: NYLON PA9T G.F.(UL94V-0), BLACK

TERMINAL: BRASS

SHIELD: BRASS

FINISH:-

TERMINAL: GOLD PLATING ON CONTACT AREA,  
TIN PLATING ON SOLDER TAIL

SHIELD: NICKEL PLATING ALL OVER

ELECTRICAL:-

CURRENT RATING: 1.5 AMP MAX.

DIELECTRIC WITHSTANDING VOLTAGE: 500V AC RMS  
FOR 60 SECS

CONTACT RESISTANCE: 30 mΩ MAX.

INSULATION RESISTANCE: 100 MΩ MIN. AT 500V DC

MECHANICAL:-

DURABILITY: 1500 CYCLES

ENVIRONMENTAL:-

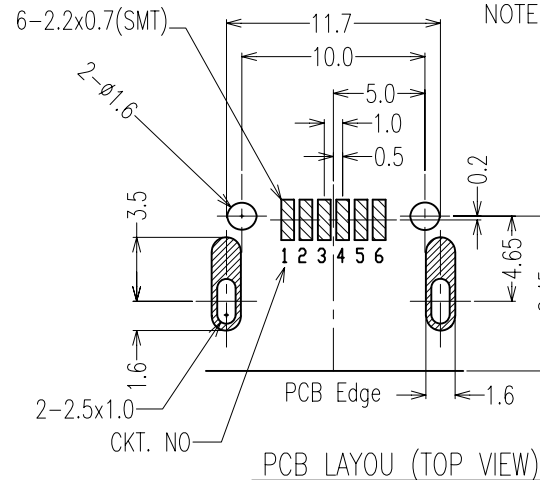
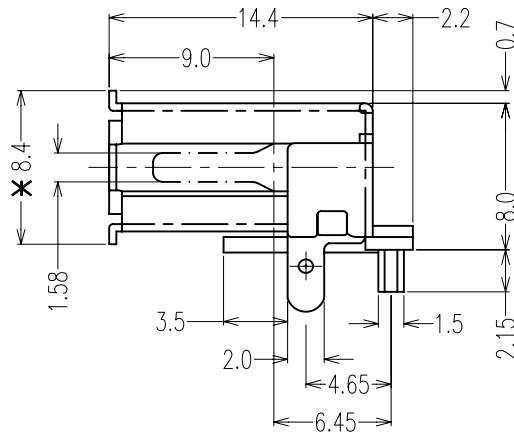
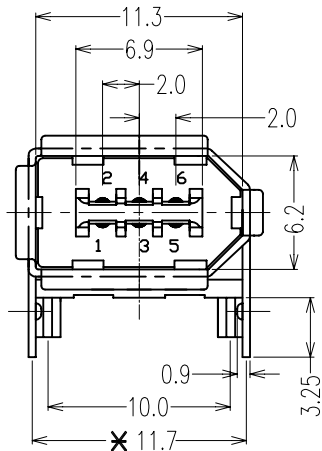
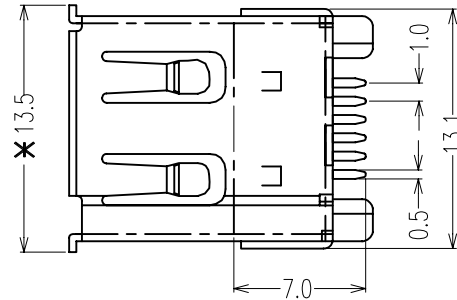
TEMPERATURE RANGE: -55°C ~ +85°C

NOTES: ALL DIMENSIONS AND NOTES

MARKED \* ARE CRITICAL AND

MUST BE CHECKED IN ACCORDANCE

WITH QUALITY DOC. Q1-02A



TOLERANCES  
X.X = ±0.30mm  
X.XX = ±0.30mm

Allan	2	28.01.08	A109
Allan	1	01.08.06	-
NAME	ISS.	DATE	C/NOTE

APPROVED:

CHECKED: *Paul*

DRAWN: Allan

CUSTOMER REF.:

ASSEMBLY DRG:



**HARWIN**

THIS DRAWING AND ANY INFORMATION OR DESCRIPTIVE MATTER SET OUT HEREON ARE CONFIDENTIAL AND COPYRIGHT PROPERTY OF THE HARWIN GROUP AND MUST NOT BE DISCLOSED, LOANED, COPIED OR USED FOR MANUFACTURING, TENDERING OR FOR ANY OTHER PURPOSE WITHOUT THEIR WRITTEN PERMISSION.

TOLERANCES

X. = ±1mm  
X.X = ±0.25mm  
X.XX = ±0.10mm  
X.XXX = ±0.01mm

ANGLES = ±5°  
UNLESS STATED

MATERIAL:

SEE NOTES

FINISH:

SEE NOTES

S/AREA:

mm<sup>2</sup>

TITLE:

IEEE 1394, PCB MOUNT SMT TYPE, METAL SHIELD, FEMALE

DRAWING NUMBER:

M702-230642

HARWIN USA  
TEL: 603 893 5376  
FAX: 603 893 5396  
mis@harwin.com

HARWIN Europe (UK)  
TEL: 023 9231 4545  
FAX: 023 9231 4590  
mis@harwin.co.uk

HARWIN Asia  
TEL: +65 6 779 4909  
FAX: +65 6 779 3868  
mis@harwin.com.sg

SHT  
1  
OF  
1

## X-ON Electronics

Largest Supplier of Electrical and Electronic Components

*Click to view similar products for [IEEE 1394 Connectors](#) category:*

*Click to view products by [Harwin](#) manufacturer:*

Other Similar products are found below :

[EHFF2](#) [PX0485/BK](#) [EHFF2B](#) [EHFWX2BX](#) [53460-0619](#) [3E106-0220KV](#) [1734290-2](#) [53460-0629](#) [53462-0629](#) [NA1394-6-W](#) [5788516-1](#)  
[3E306-3200-008](#) [FWF21NSCC](#) [FWFODE](#) [FWFTV22G](#) [FWFTVC2G](#) [FWFTVC2N](#) [JE14](#) [JE18](#) [PX0480/BK](#) [928](#) [929](#) [930](#) [NA1394-6-W-B](#)  
[EHFW800X2](#) [5787956-1](#) [PX0419](#) [PX0847](#) [693-006-699-003](#) [45740-0001](#) [53460-0639](#) [53462-0001](#) [53984-0681](#) [EHFW800X2B](#)  
[EHFW800X2PKG](#) [1734290-1](#)